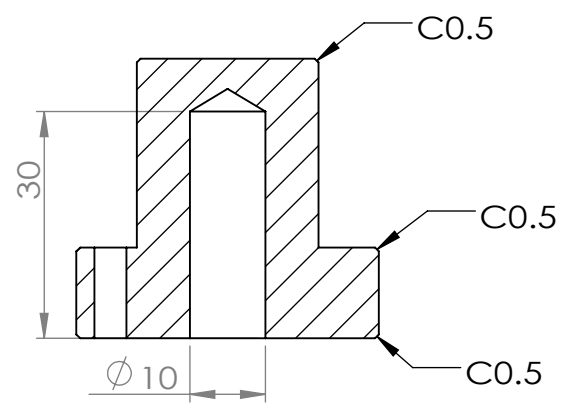


This face is attached to motor



SECTION A-A



| | | | |
|------------------|--------|--------------|-----------|
| TITLE: | | A4 | |
| Bush - PW - User | | SHEET 1 OF 1 | |
| UNIT: | SCALE: | DATE: | REVISION: |
| MM | 1:1 | 09-Sep-15 | 1.0 |