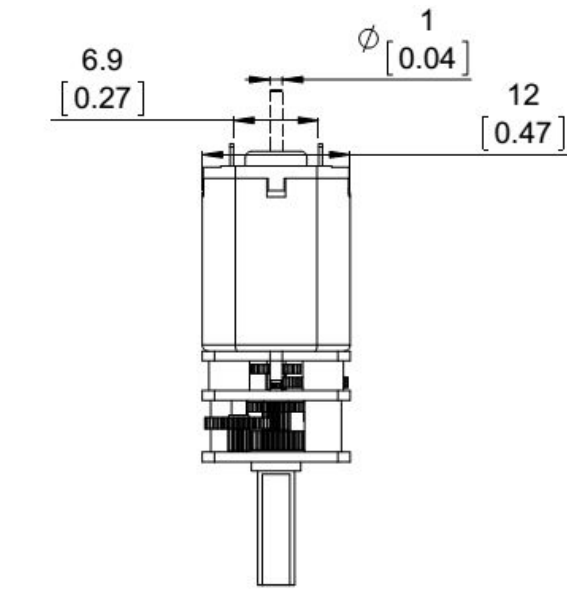
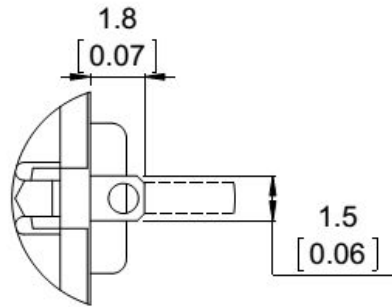


SPG10-HP Dimension



Gear ratio	L
100:1	9mm [0.35 in]



DETAIL A
SCALE 5 : 1

