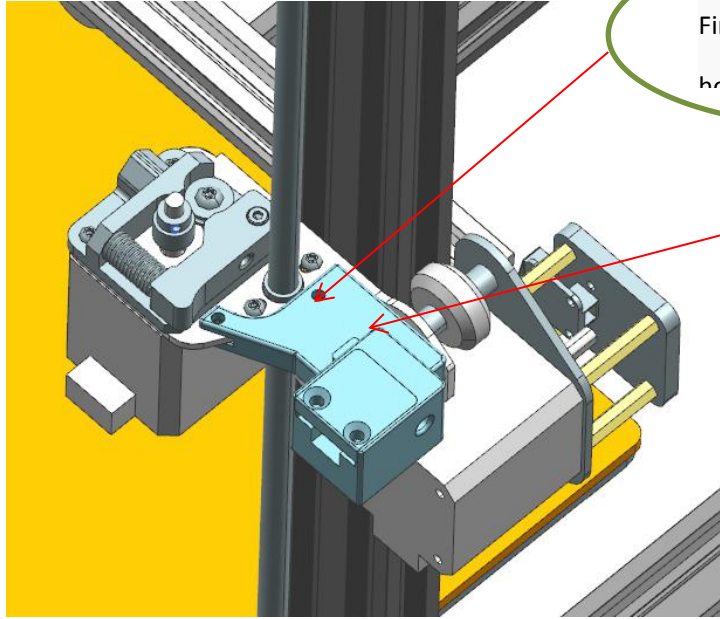


# CR-10S Filament Detector Instructions

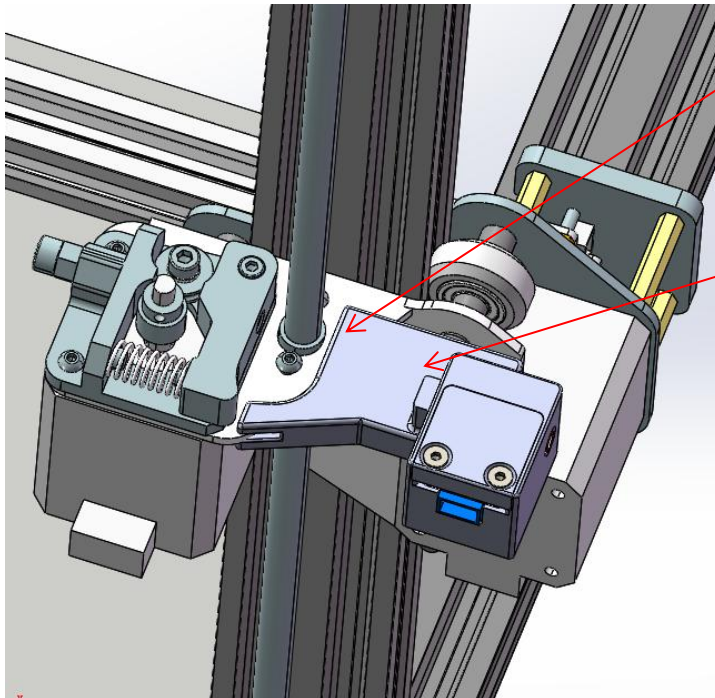
CR-10S added Filament Detector, An effective solution to a series of problems caused by the absence of filament during printing.

Install as shown below



First version reserved  
hole, no need to install

Filament  
Detector



Second version cancelled  
hole, The installation  
method is the same

Filament  
Detector