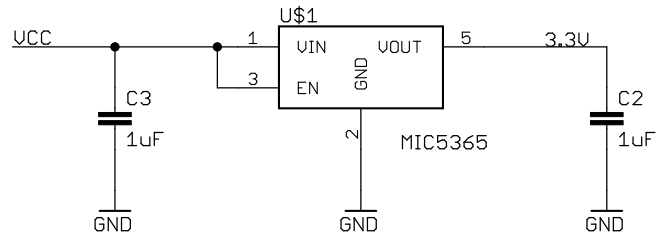
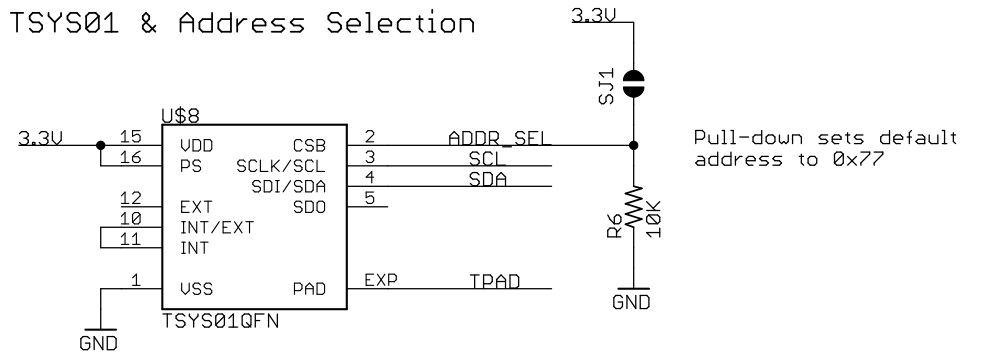


Power Supply



TSYS01 & Address Selection



Solder Pad Connections

