

# T200 Thruster Specifications

## Specification Table

### Performance

Maximum Forward Thrust @ 16V	5.1 kgf	11.2 lbf
Maximum Reverse Thrust @ 16V	4.1 kgf	9.0 lbf
Maximum Forward Thrust @ 12V	3.55 kgf	7.8 lbf
Maximum Reverse Thrust @ 12V	3.0 kgf	6.6 lbf
Minimum Thrust	0.01 kgf	0.02 lbf
Rotational Speed	300-3800 rev/min	

### Electrical

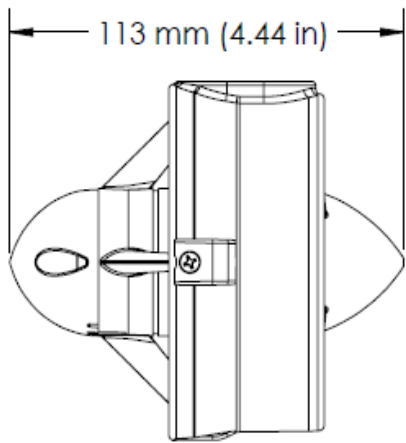
Operating Voltage	6-20 volts	
Max Current	25 Amps	
Max Power	350 Watts	
Phase Resistance	0.18 +/- 0.01 Ohms	
Phase Inductance (@ 1 kHz)	0.077 +/- 0.008 mH	

### Physical

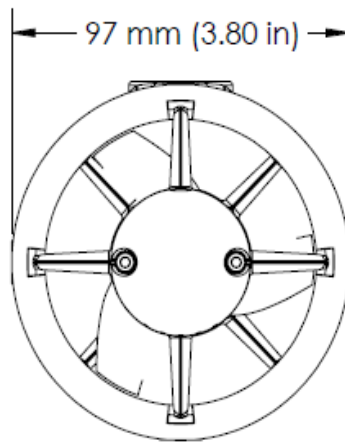
Length (without BlueESC)	113 mm	4.45 in
Length (with BlueESC)	131 mm	5.16 in
Diameter	100 mm	3.9 in
Weight in Air (with 1m cable)(without BlueESC)	0.76 lb	344 g
Weight in Air (with 1m cable)(with BlueESC)	0.93 lb	422 g
Weight in Water (with 1m cable)(without BlueESC)	0.34 lb	156 g
Weight in Water (with 1m cable)(with BlueESC)	0.46 lb	210 g
Propeller Diameter	76 mm	3.0 in
Mounting Hole Threads	M3 x 0.5	
Mounting Hole Spacing	19 mm	0.75 in
Cable Length	1.0 m	39 in
Cable Diameter	6.3 mm	0.25 in

# Dimensions

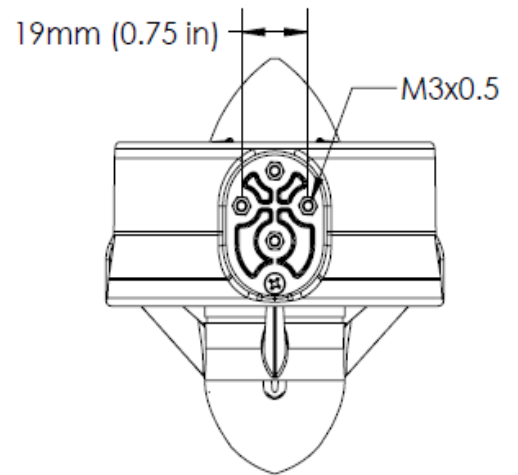
## T200 Thruster (without BlueESC)



Side

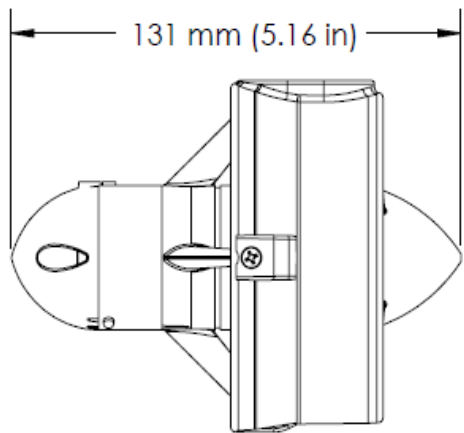


Front

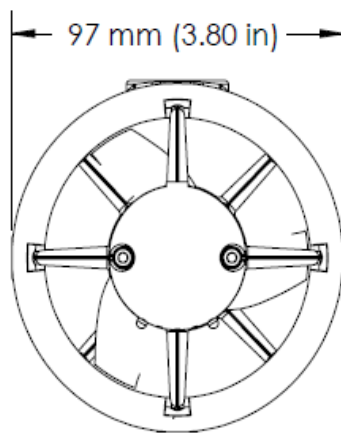


Top

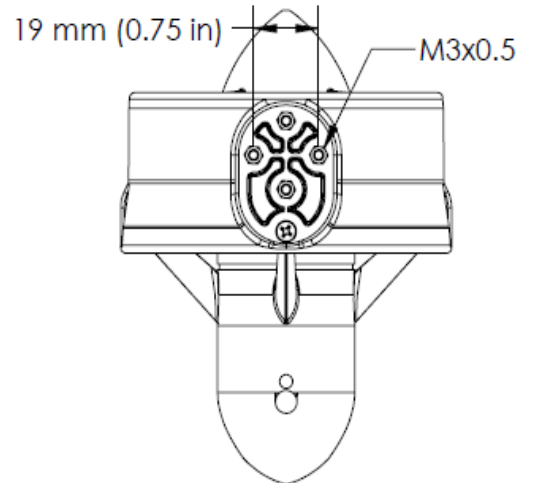
## T200 Thruster with BlueESC



Side



Front



Top