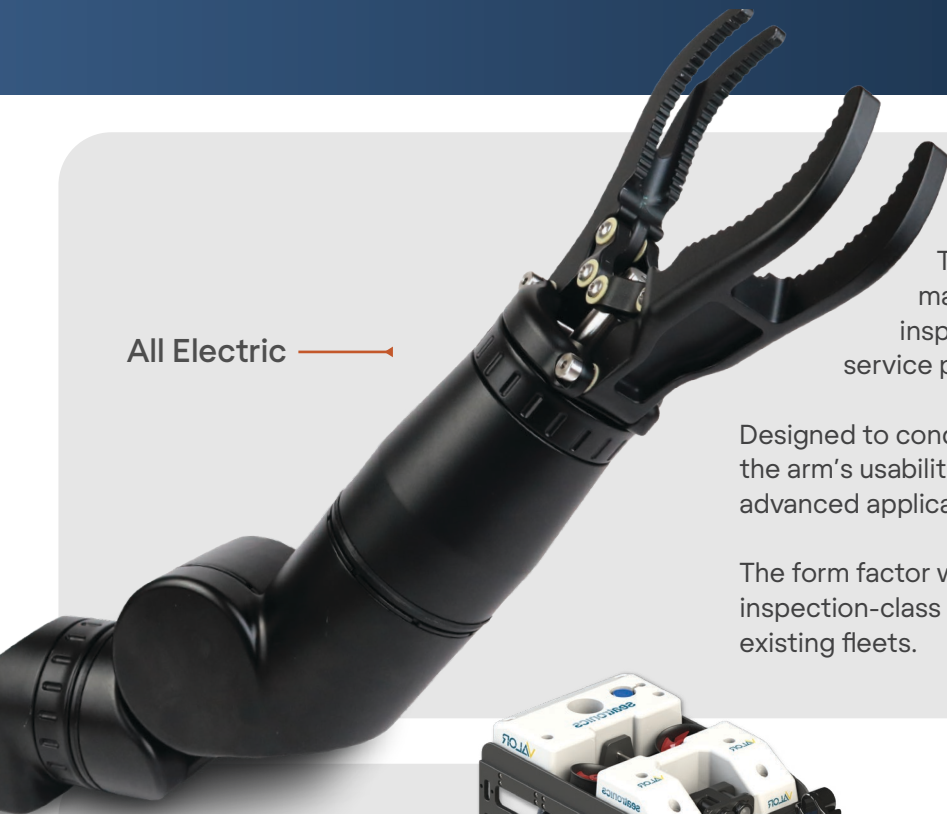


A Tough, 3-Function Manipulator for Inspection Class Vehicles



All Electric →

Be Confident.

The Bravo 3 is a dependable 3-Function manipulator that opens up new compact inspection and intervention opportunities for service providers, researchers, and other operators.

Designed to conduct tasks usually reserved for human divers, the arm's usability and responsiveness pave the way for advanced applications.

The form factor was specifically designed for industry leading inspection-class ROVs making it a ready-to-go option for existing fleets.



→ Designed for Leading ROV's

FEATURES

- Ready-built and designed for industry leading inspection-class vehicles
- All-Electric, Zero Oil
- Rapid change End-Effectors - swap in minutes for efficient, on-site tooling requirements
- Advanced software interface with 3D visualisation
- Adjustable grab force - pick up a sea urchin or cut a cable
- Quick to integrate
- Corrosion and scratch resistant (AL6061)
- One-click deploy/stow position

Master Controller Enabled →

- ◀ **MODULAR**
3-Function (or custom fit)
Highly Modular & Configurable
- ◀ **RUGGED**
300m Depth Rating
10kg Full Reach Lift
- ◀ **SMART**
In-Built Kinematics
Master Arm Controlled



Note: Master Arm not included

Mission Specific End-Effectors | *Interchange With Ease*

Parallel Jaws



Quad Jaws

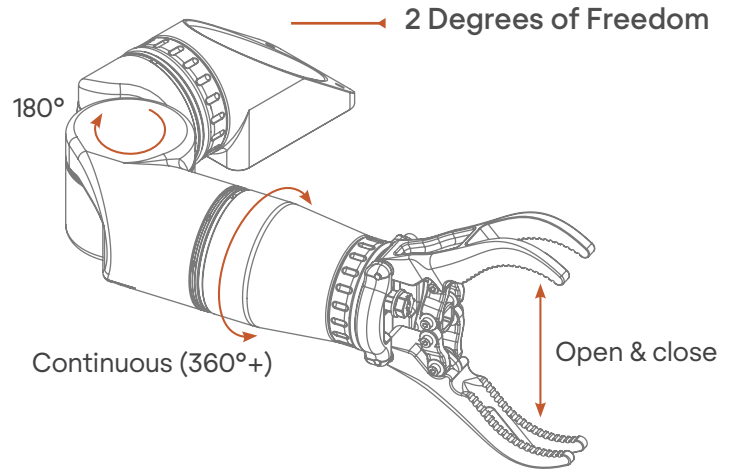


Interlocking Quad Jaws

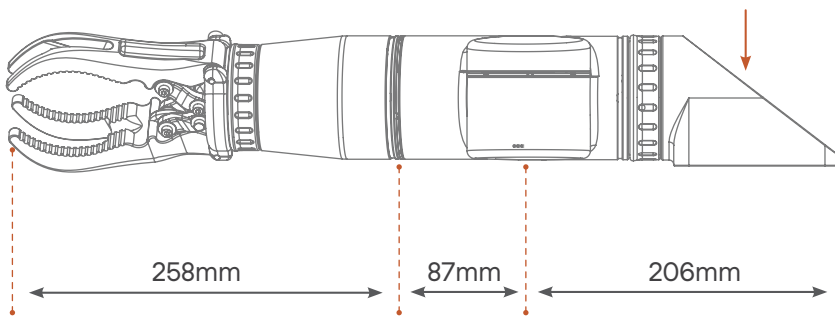


SPECIFICATIONS

Full-Extension Reach	410mm
Max Lift Capacity	20kg
Joint Speed	(24-48V)
End-effector Accuracy	<1cm
Linear/Grabber Force	1000Nm
Base Joint Torque	50Nm
Wrist Torque	20Nm
Connector cable	13 Pin Ethernet Subcon (DBH13M)



Note: Mounting Kit not included



ELECTRICAL

Voltage	24-48V
Nominal Power	60W (10kg load)
Peak Power	150W (10kg load)
COMS	RS232/485/Ethernet

ENVIRONMENTAL

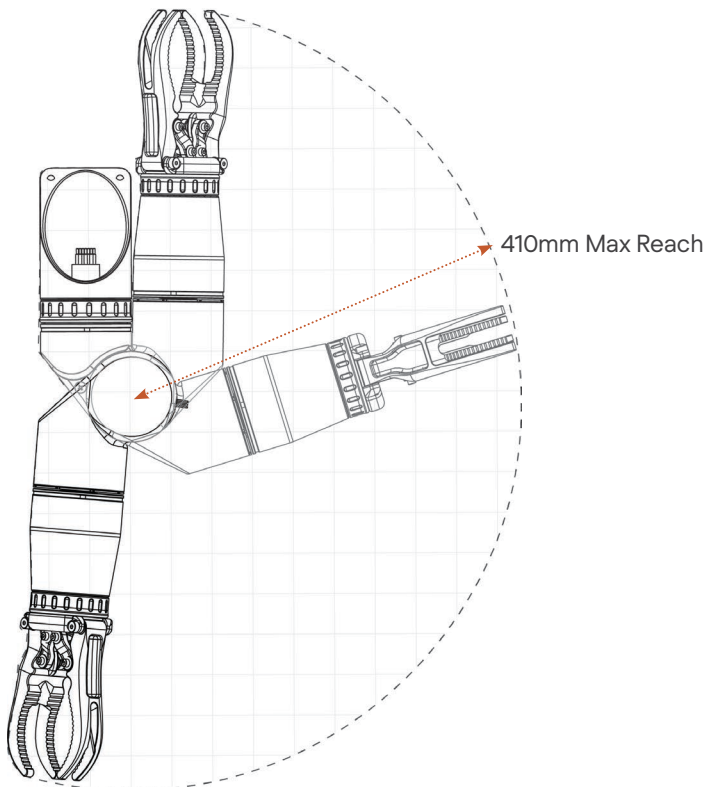
Depth	300MSW
Temp	-10°C to 35°C
Material	AL6061

MECHANICAL

Lift Capacity	15kg (full reach)
Max Lift	20kg
Weight (Air)	4kg
Weight (Water)	2.6kgs

High Mobility & Compact

TOP VIEW



Integration Made Easy

Integrate Reach Bravo manipulators with our mounting unit, designed for simple installation on industry leading vehicles. A screw collar system lets you mount and unmount in seconds.

