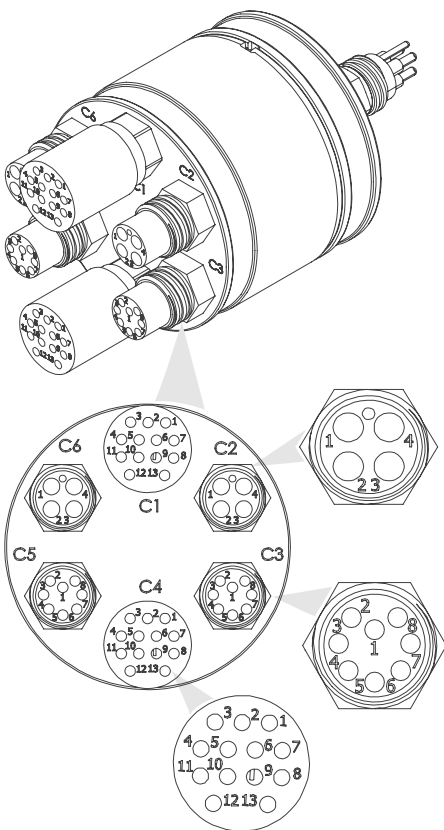
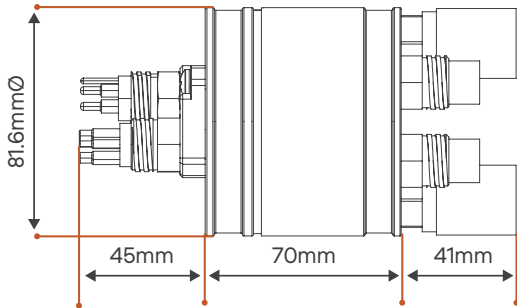


# REACH BRAVO HUB

A multi-port hub to integrate numerous Reach Bravo products

Expand the capability of your Reach Bravo Manipulator



## Multiple systems, one hub

The Reach Bravo Hub allows communication with multiple 3rd party payloads including sensors, probes, tethers and numerous Bravo-class manipulators from a single source. Comprising a network switch and RS-485 link, the hub provides up to four ethernet and power connections to Bravo manipulators and accessories. Integrate multiple systems with ease and leave room for future expansions on your ROV.

### FEATURES

- Network Switch
- 100 Mbit/s
- Connector Breakout
- DC-DC Converter
- Bulk Capacitance for peak power draw
- Internal logic for data routing
- Includes connections for:
  - Left manipulator
  - Right Manipulator
  - 2x Single/Dual Function
  - Associated accessories and 3rd party payloads

## A Revolution for Subsea Inspection & Intervention



Responsive Integration Support



Responsive Remote Support



12 Month Warranty



Extended Warranty, Spares Packages & Service Plans Available



1000+ Hours Logged

## Connector Specifications

### INPUT - Coms Connector | DWTEK MCIL8E

Pin	Description	Colour
01	RS485 A	Brown
02	RS485 B	Light brown
03	RS232 TX (data to vehicle)	Blue
04	RS232 RX (data from vehicle)	Light blue
05	ETH RX-	Orange
06	ETH RX+	Light orange
07	ETH TX-	Green
08	ETH TX+	Light green

### OUTPUT COMMS - Coms Connector | DWTEK MCIL8E Connectors: C3, C5

Pin	Description	Colour
01	NC	Brown
02	NC	Light brown
03	NC	Blue
04	NC	Light blue
05	ETH RX-	Orange
06	ETH RX+	Light orange
07	ETH TX-	Green
08	ETH TX+	Light green

### OUTPUT - Coms + PWR Connector | DIL13F DBH13M Connectors: C1, C4

Pin	Description	Twisted Pair?	Colour
01	GND	N	Black
02	NC	N	Screen (orange wire on Bulkhead)
03	VM	N	White
04	NC	Y (4, 5)	Brown
05	NC	Y (4, 5)	Brown/White
06	NC	Y (6, 7)	Blue
07	NC	Y (6, 7)	Blue/White
08	ETH RX-	Y (8, 9)	Orange
09	ETH RX+	Y (8, 9)	Orange/White
10	ETH TX-	Y (10, 11)	Green
11	ETH TX+	Y (10, 11)	Green/White
12	VM	N	Red
13	GND	N	Green

### POWER - Power Connector | DWTEK MCIL4 Connectors: C2, C6 and Pwr In

Pin	Description	Colour
01	GND	Black
02	POWER	White
03	POWER	Red
04	GND	Green

### ENVIRONMENTAL SPECS

Depth	300MSW
Temp	-10°C to 35°C
Material	Hard Anodized 6061-T6
Weight	750g



4 - Pin Male  
Microcircular SubConn

