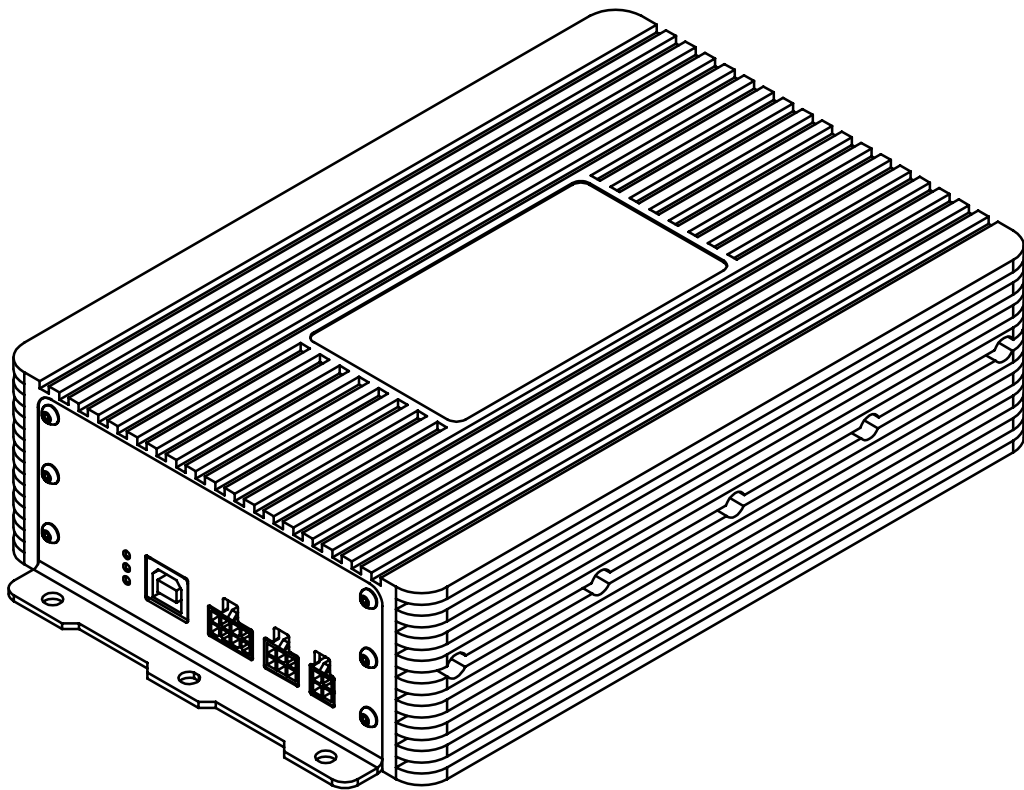




# BASICMICRO

## MOTION CONTROL

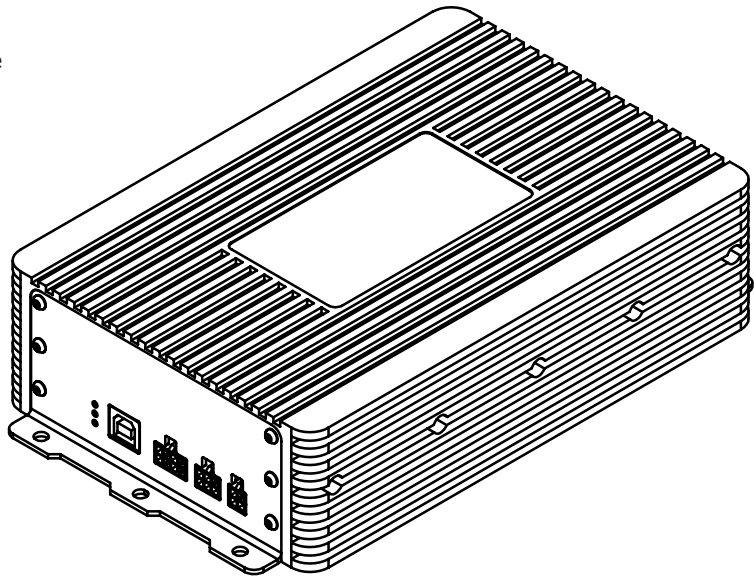


**RoboClaw 2x160A, 34VDC Dual Channel**  
**RoboClaw 2x120AHV, 60VDC Dual Channel**  
**RoboClaw 2x160AHV, 60VDC Dual Channel**  
**RoboClaw 2x200AHV, 60VDC Dual Channel**  
**Brushed DC Motor Controllers**

**Data Sheet Version 2.4**

## Feature Overview:

- 120 / 160 / 200 Amps Continuous Per Channel
- 240 / 320 / 400 Amps in Bridged Channel Mode
- Dual Quadrature Decoding
- 9.8 million PPS Decoding
- Multimode Interface
- TTL Serial
- USB Port
- Analog Interface
- R/C Input Control
- Limit, Home and E-Stops
- Up to 34VDC Operation
- Cooling Fan With Automatic Control
- 3.3v Compliant Control Outputs
- 5v Tolerant Control Inputs
- Programmable Current Limiting
- Programmable Voltage Clamping
- Closed and Open Loop Operation
- Auto Tuning PID Feature
- Mixed Control Modes
- Data Logging
- Diagnostic LEDs
- Field Firmware Updates
- Regulated 5VDC, 3A User Available Output
- Over Voltage and Under Voltage Protection
- 2 General Purpose 40V, 3Amp User Controlled Outputs
- Easy Tuning, Monitor and Setup with PC utility



## Device Overview

The RoboClaw is an intelligent, high performance motor controller designed to control dual brushed DC motors. It can be controlled from USB, RC radio, PWM, TTL serial, analog and microcontrollers such as an Arduino or Raspberry Pi.

RoboClaw automatically supports 3.3V or 5V logic levels, travel limit switches, home switches, emergency stop switches, power supplies, braking systems and contactors. A built-in switching mode BEC supplies 5VDC at up to 3 Amps for powering user devices. In addition power supplies can be utilized by enabling the built in voltage clamping control feature.

A wide variety of feedback sensors are supported. This includes quadrature encoders, potentiometers and absolute encoders which can be easily configured using the available auto tune function. With sensors, two brushed DC motors can be controlled in closed loop mode allowing precise control over position and speed. With the ability to use potentiometers, servo systems can be created and controlled from any of RoboClaw's interface modes.

For greater control, built-in commands are available for controlling acceleration, deceleration, distance, speed, current sense, voltage limits and more. In addition, RC and analog modes can be configured by user defined settings to control acceleration and deceleration rates.

RoboClaw incorporates multiple protection features including temperature, current, over voltage and under voltage limits. The protection features are self monitoring and protect RoboClaw from damage in any operating condition. User definable settings such as maximum current limit, maximum and minimum battery voltages are provided for more refined control.

RoboClaw's regenerative capabilities will charge a supply battery during slow down or braking. It's advance circuitry can change direction during full throttle without damage! RoboClaw also incorporates a LiPo cutoff mode to prevent battery damage.

## Multimode Interface

RoboClaw's I/O are voltage protected and can handle up to 5VDC. The I/O only output a high of 3.3V. This allows RoboClaw to be interfaced to 5V or 3V logic easily with no translation circuits required. RoboClaw can be connected directly to a Raspberry Pi or Arduino. All of RoboClaw's inputs are internally pulled-up to prevent false triggers. Inputs can also be configured using the Motion Studio application.

### **User Regulated Power Output**

RoboClaw provides regulated power (BEC) for user devices. A high efficiency switching regulator supplies 5VDC at up to 3 Amps. This voltage can be used to power external sensors, encoders, MCUs and other electronics. The regulated user power is automatically current limited and thermally protected.

### **Main Battery**

The peak operational input voltage depending on the model can be up to 34VDC, 60VDC or 80VDC. The models maximum input voltage can not be exceeded. If the maximum voltage is exceed the motors will be disabled. Fully charged batteries maximum voltage must be taken into account when in use. RoboClaw is a regenerative motor controller. During regeneration, voltages can peak over the maximum rated voltage. RoboClaw is designed to manage over voltage spikes by braking the motors.

### **Logic Battery**

RoboClaw accepts a logic battery. The logic battery is also known as a backup battery. The user regulated power output (BEC) is by default powered from the main battery, unless a logic battery is detected. The logic battery source is coupled to the main battery through an on board automatic switch. If the main battery voltage drops below the logic battery input level, the logic circuit and user regulated power output will be drawn from the logic battery.

### **Software**

RoboClaw can be easily configured using the Motion Studio software tool. The Windows based application enables users to quickly configure RoboClaw. The software can be used during run time to monitor and control several operational parameters. Motion studio is available from the Basicmicro.com website. It can also be found in the Downloads section of the Basicmicro website or listed under the Download tabs on the production page.

### **User Manual**

This data sheet only covers model specific information and basic wiring. To properly setup and use RoboClaw refer to the RoboClaw User Manual available for download from <http://www.basicmicro.com>.

### **Cooling**

RoboClaw will generate heat. The maximum current ratings can only be achieved and maintained with adequate heat dissipation. The motor controller should be mounted so that sufficient airflow is provided. Which will dissipate the heat away from the motor controller during operation. Some models of RoboClaw include a built-in automatic cooling fan controller, which can be used to help maintain continuous currents under extreme conditions.

### **Emergency Stop**

The motor controller should be wired using an external contactor, relay or high amperage mechanical switch to control the main power input. A second power source should be used to power the logic section in situations where the main power will be under heavy load. Voltage drops can occur from constant full load or high speed direction changes. Voltage drop can cause logic brown outs if only a main battery is used without a logic battery.

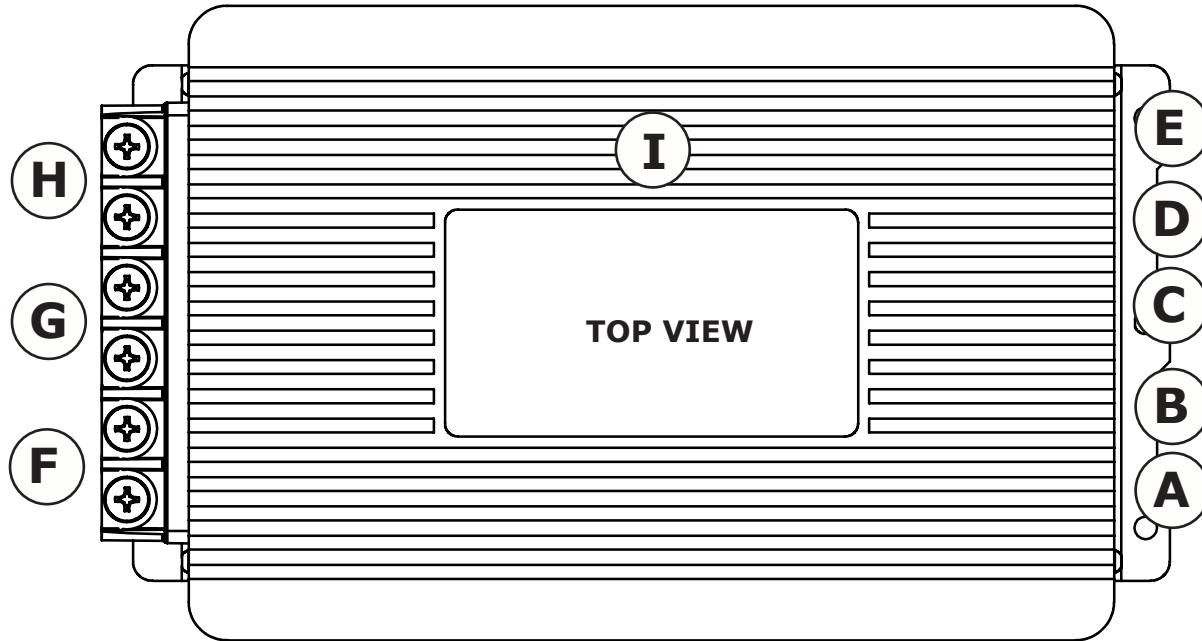
### **USB**

The motor controllers USB port should be used for configuration and debugging. The USB protocol is not designed for electrically noisy environments. The USB port will likely disconnect and not automatically recover during operation in electrically noisy environments. To recover from a dropped USB port, the motor controllers USB cable may require being unplugged and re-plugged in. The TTL serial control should be the preferred method of control in electrically noisy environments.

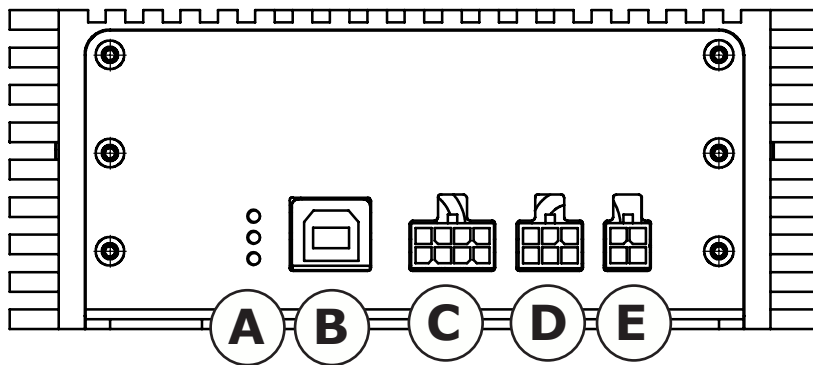
### **Firmware Updates**

Firmware updates will be made available to add new features or resolve any technical issue. Before using RoboClaw for the first time it is recommended to update to the latest firmware. Download and install Motion Studio. Refer to the RoboClaw User Manual or Application Notes for additional information on updating the RoboClaw firmware.

Hardware Overview:



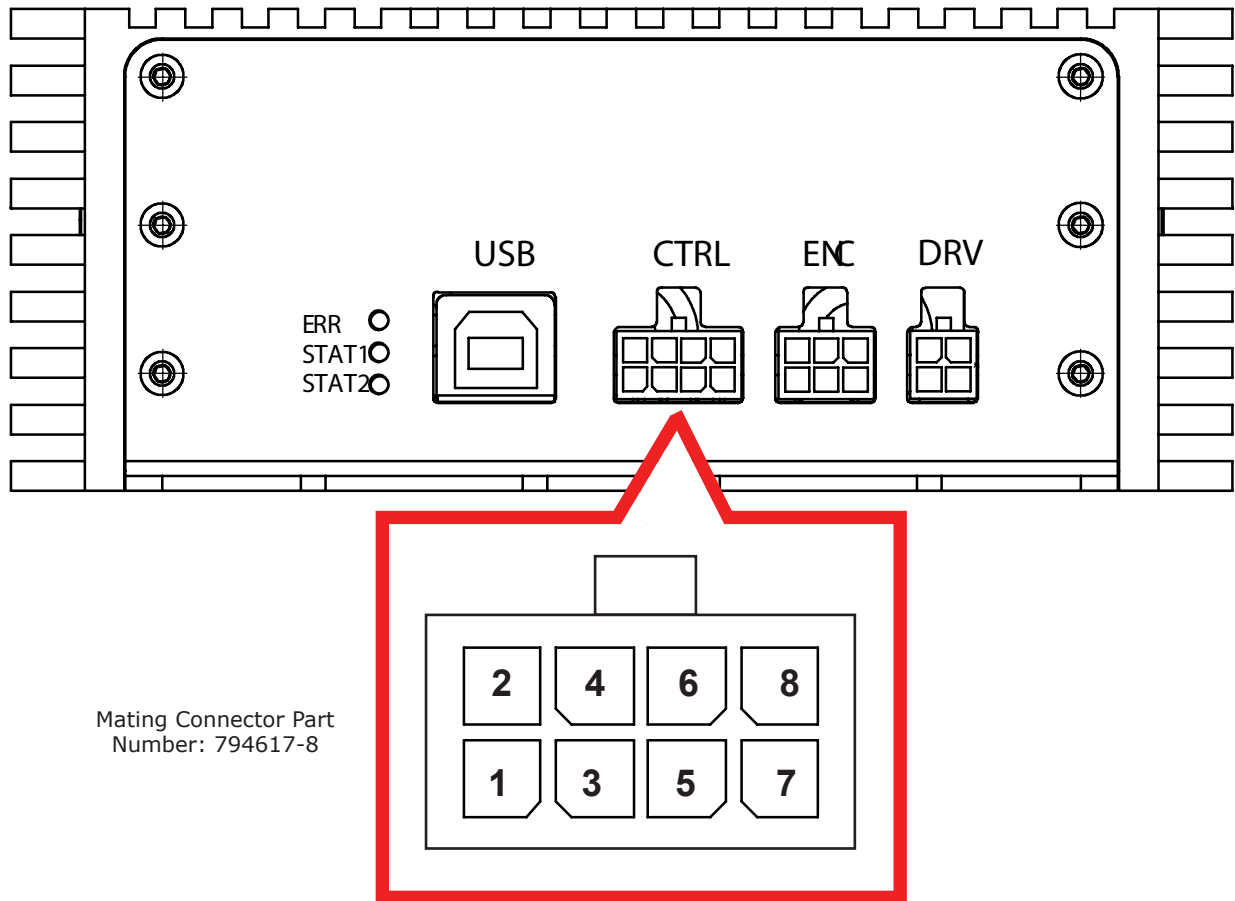
FRONT VIEW



ID	Function	DESCRIPTION
A	Status LEDs	Provides RoboClaw status information.
B	USB Port	Communicate with RoboClaw via USB.
C	Control Inputs	S1,S2,S3,S4 and S5 control inputs.
D	Encoder Inputs	Dual encoder input and power pins.
E	Digital Output	High current output pins. Control contactors or relays.
F	Motor Channel 1	Motor driver output screw terminals for channel 1.
G	Main Battery	Main battery screw terminal input.
H	Motor Channel 2	Motor driver output screw terminals for channel 2.
I	Heat Sink	Aircraft grade aluminum heat sinking case.

**Control Interface (CTRL)**

RoboClaw 120A, 160A and 200A use Molex style female connectors. The following tables list the pins and their available functions. All pins are 5V tolerant and output 3.3V for compatibility with processor such as Rasberry Pi and Arduino. CTRL1 and CTRL2 pins are low side drivers at 40VDC, 3A per output. R/C pulse input, Analog and TTL can be generated from any microcontroller such as a Arduino or Rasberry Pi. The R/C Pulse in pins can also be driven by any standard R/C radio receiver. There are several user configurable options depending on the device used to control RoboClaw. To configure RoboClaw, install Motion Studio and connect it to an available USB port.



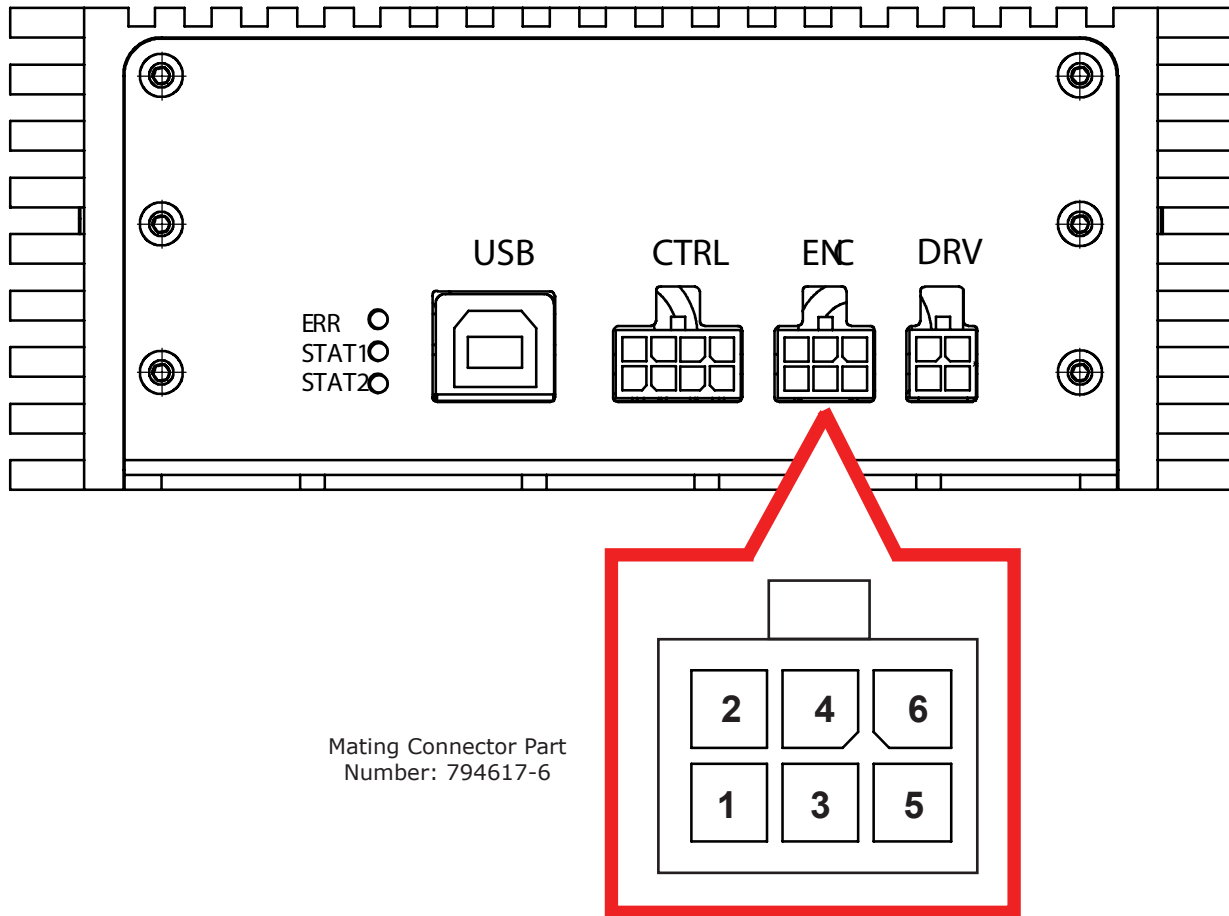
Pin	NAME	UART TTL	ANALOG	R/C PULSE	FLIP SWITCH	E-STOP	HOME	V-CLAMP
1	LB+							
2	S4					X(3)	Motor 1 (2)	X(1)
3	5V+							
4	S3				X(5)	X(3)		X(1)
5	GND							
6	S2	TX	X(4)	X(4)				
7	S5					X(3)	Motor 2 (2)	X(1)
8	S1	RX	X(4)	X(4)				

**Notes:**

1. Control external voltage clamp circuit. Redirect the regenerative function of RoboClaw.
2. Input can be used for home switch and automatic homing on power up.
3. Optional E-Stop input configuration. Pin state changes error will clear or board reset required.
4. Supports mixed control or individual control of motor channel.
5. Supports TTL or R/C signals

**Encoders (ENC)**

RoboClaw supports dual quadrature encoders with up to 9.8 million pulses per second. In addition, a wide range of sensor inputs including potentiometers and absolute encoders are supported. The encoder pins are not exclusive to supporting encoders and have several functions available. The encoder inputs were isolated on a separate connector for wiring convenience.



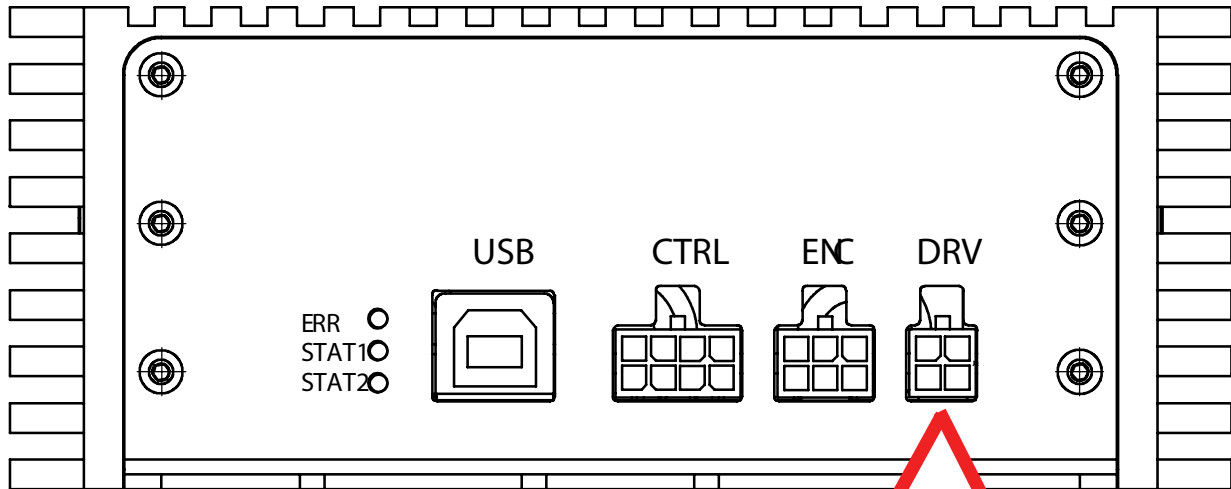
Pin	NAME	ENCODER	ABSOLUTE
1	+5V		
2	GND		
3	ENC1A	Channel 1A(1)	Channel 1(1,2)
4	ENC2A	Channel 2A(1)	Channel 2(1,2)
5	ENC1B	Channel 1B(1)	
6	ENC2B	Channel 2B(1)	

**Notes:**

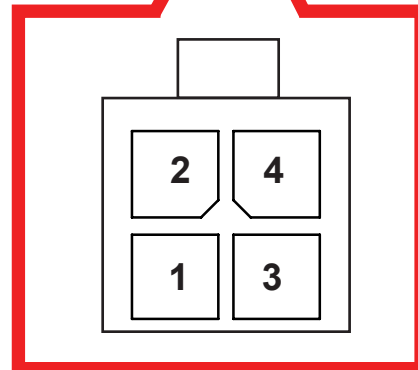
1. Pins are 5V tolerant.
2. Absolute encoder pins are 0V to 2V analog reading range.

**Digital Driver (DRV)**

RoboClaw includes two general purpose 40V at 3Amp output I/O for controlling brakes, contactors and inductive devices. The DRV pins in combination with a simple circuit can be used to regulate the regenerative function of RoboClaw allowing use of DC power supplies. The DRV pin functions are defined using Motion Studio. They can also be setup using packet serial commands. See RoboClaw User Manual for examples.



Mating Connector Part Number: 794617-4



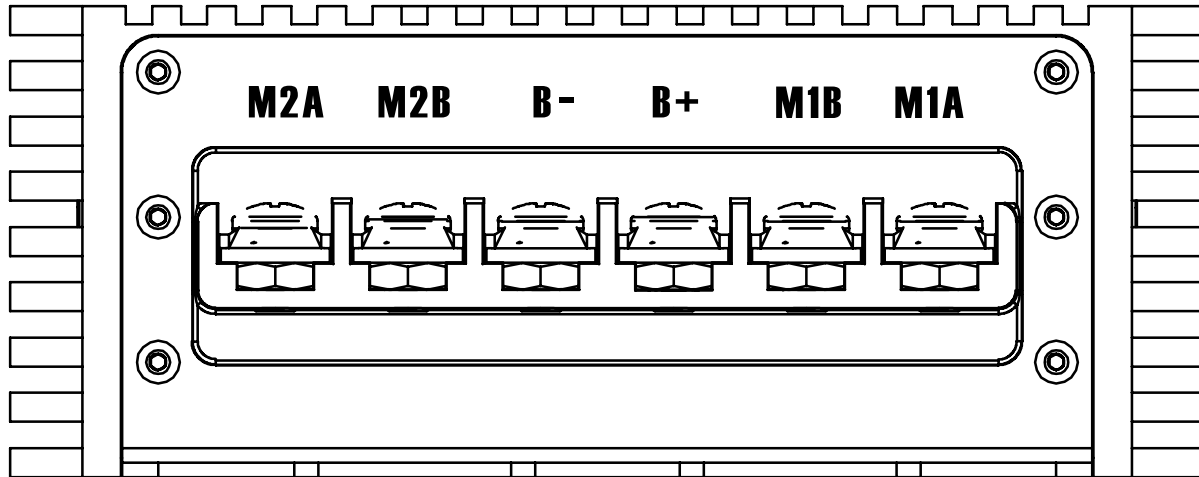
Pin	NAME	V-CLAMP	BRAKE	USER I/O
1	+5V			
2	CTRL1	X(1)	X(1)	X(1)
3	+5V			
4	CTRL2	X(1)	X(1)	X(1)

**Notes:**

1. CTRL pins can sink 3 Amps at up to 40V.

**Motor and Battery Terminals**

RoboClaw utilizes screw terminals for both motor channels and main battery connections. The screw terminals are secured with a M5 screw and nut. The screw and nut are easily replaceable if necessary. The recommend ring terminals can be purchased from Digi-Key A112030-ND and can support up to 6AWG wire.



Pin	NAME	DESCRIPTION
M2A	Motor Channel 2A	Motor chanel output 2 side A
M2B	Motor Channel 2B	Motor chanel output 2 side B
B-	Main Battery Negative	Main battery input terminal. Negative from battery.
B+	Main Battery Positive	Main battery input terminal. Positive from battery.
M1B	Motor Channel 1B	Motor chanel output 1 side B
M1A	Motor Channel 1A	Motor chanel output 1 side A



**Logic Battery (LB IN)**

The logic circuit of RoboClaw can be powered from a secondary battery wired to LB IN. A logic battery will prevent brownouts when the main battery is low or under heavy load. The positive (+) terminal is located at the board edge and ground (-) is the inside pin closest to the heatsink.

**Encoder Power (+ / -)**

The pins labeled + and - are the source power pins for encoders. The positive (+) is located at the board edge and supplies +5VDC. The ground (-) pin is near the heatsink. On RoboClaws with screw terminals, power for the encoders can be supplied by the 5VDC and GND on the main screw terminal.

**Encoder Inputs (1A / 1B / 2A / 2B)**

The encoders inputs are labeled EN1 and EN2. EN1 is for encoder 1 and EN2 is for encoder 2 which also correspond to motor channel 1 and motor channel 2. Quadrature encoder inputs are typically labeled 1A, 1B, 2A and 2B. Channel A of both EN1 and EN2 are located at the board edge on the pin header. Channel B pins are located near the heatsink on the pin header. Quadrature encoders are directional. When connecting encoders make sure the leading channel for the direction of rotation is connected to A. If one encoder is backwards to the other you will have one internal counter counting up and the other counting down. Use Motion Studio to determine the encoders direction relative to the motors rotation. Encoder channels A and B can be swapped in software using Motion Studio to avoid re-wiring the encoder or motor.

**Control Inputs (S1 / S2 / S3 / S4 / S5)**

S1, S2, S3, S4 and S5 are configured for standard servo style headers I/O (except on ST models), +5V and GND. S1 and S2 are the control inputs for serial, analog and RC modes. S3 can be used as a flip switch input, when in RC or Analog modes. In serial mode S3, S4 and S5 can be used as emergency stops inputs or as voltage clamping control outputs. When configured as E-Stop inputs, they are active when pulled low. All I/O have internal pull-ups to prevent accidental triggers when left floating. S4 and S5 can be configured as home switch and limit switch inputs. The pins closest to the board edge are the I/Os, center pin is the +5V and the inside pins are ground. Some RC receivers have their own supply and will conflict with the RoboClaw's 5v logic supply. It may be necessary to remove the +5V pin from the RC receivers cable in those situations.

**Cooling Fan Control**

The cooling fan control will automatically turn on and off a fan based on RoboClaws temperature. The fan will turn on when the board temperature reaches 45°C and will automatically turn off when the board temperature falls below 35°C. The fan control circuit can power a 5VDC fan at up to 230mA. A wide range of fans can be used. The CFM rating of the fan will determine how effective the fan is at cooling. A tested fan is available from DigiKey under part number: 259-1577-ND. However any fan can be used provided it meets the electrical specifications outlined above.

### **Main Battery Screw Terminals**

The main power input can be from 6VDC to 34VDC on a standard RoboClaw and 10.5VDC to 60VDC or 80VDC on an HV (High Voltage) RoboClaw. The connections are marked + and - on the main screw terminal. The plus (+) symbol marks the positive terminal and the negative (-) marks the negative terminal. The main battery wires should be as short as possible.



***Do not reverse main battery wires or damage will occur.***

### **Disconnect**

The main battery should include a quick disconnect in case of a run away situation and power needs to be cut. The switch must be rated to handle the maximum current and voltage from the battery. Total current will vary depending on the type of motors used. A common solution would be an inexpensive contactor which can be sourced from sites like Ebay. A power diode rated for approximately 2 to 10 Amps should be placed across the switch/contacter to provide a return to the battery when power is disconnected. The diode will provide the regenerative power a place to go even if the switch is open.

### **Motor Screw Terminals**

The motor screw terminals are marked with M1A / M1B for channel 1 and M2A / M2B for channel 2. For a typical differential drive robot the wiring of one motor should be reversed from the other. The motor and battery wires should be as short as possible. Long wires can increase the inductance and therefore increase potentially harmful voltage spikes.

## Control Modes

RoboClaw has 4 main functional control modes explained below. Each mode has several configuration options. The modes can be configured using Motion Studio or the built-in buttons. Refer to the RoboClaw User Manual for installation and setup instructions.

## RC

Using RC mode RoboClaw can be controlled from any hobby RC radio system. RC input mode also allows low powered microcontrollers such as a Basic Stamp to control RoboClaw. Servo pulse inputs are used to control the direction and speed. Very similar to how a regular servo is controlled. Encoders are supported in RC mode, refer to the RoboClaw user manual for setup instructions.

## Analog

Analog mode uses an analog signal from 0V to 2V to control the speed and direction of each motor. RoboClaw can be controlled using a potentiometer or filtered PWM from a microcontroller. Analog mode is ideal for interfacing RoboClaw with joystick positioning systems or other non microcontroller interfacing hardware. Encoders are supported in Analog mode, refer to the RoboClaw user manual for setup instructions.

## Simple Serial

In simple serial mode RoboClaw expects TTL level RS-232 serial data to control direction and speed of each motor. Simple serial is typically used to control RoboClaw from a microcontroller or PC. If using a PC, a MAX232 or an equivalent level converter circuit must be used since RoboClaw only works with TTL level inputs. Simple serial includes a slave select mode which allows multiple RoboClaws to be controlled from a signal RS-232 port (PC or microcontroller). Simple serial is a one way format, RoboClaw can only receive data. Encoders are not supported in Simple Serial mode.

## Packet Serial

In packet serial mode RoboClaw expects TTL level RS-232 serial data to control direction and speed of each motor. Packet serial is typically used to control RoboClaw from a microcontroller or PC. If using a PC a MAX232 or an equivalent level converter circuit must be used since RoboClaw only works with TTL level input. In packet serial mode each RoboClaw is assigned a unique address. There are 8 addresses available. This means up to 8 RoboClaws can be on the same serial port. Encoders are supported in Packet Serial mode, refer to the RoboClaw user manual for setup instructions.

## USB Control

USB can be used in any mode. When RoboClaw is in packet serial mode and another device, such as an Arduino, is connected commands from the USB and Arduino will be executed and can potentially override one another. However if RoboClaw is not in packet serial mode, motor movement commands will be overridden by Analog or RC pulse input. USB packet serial commands can then only be used to read status information and set configuration settings.

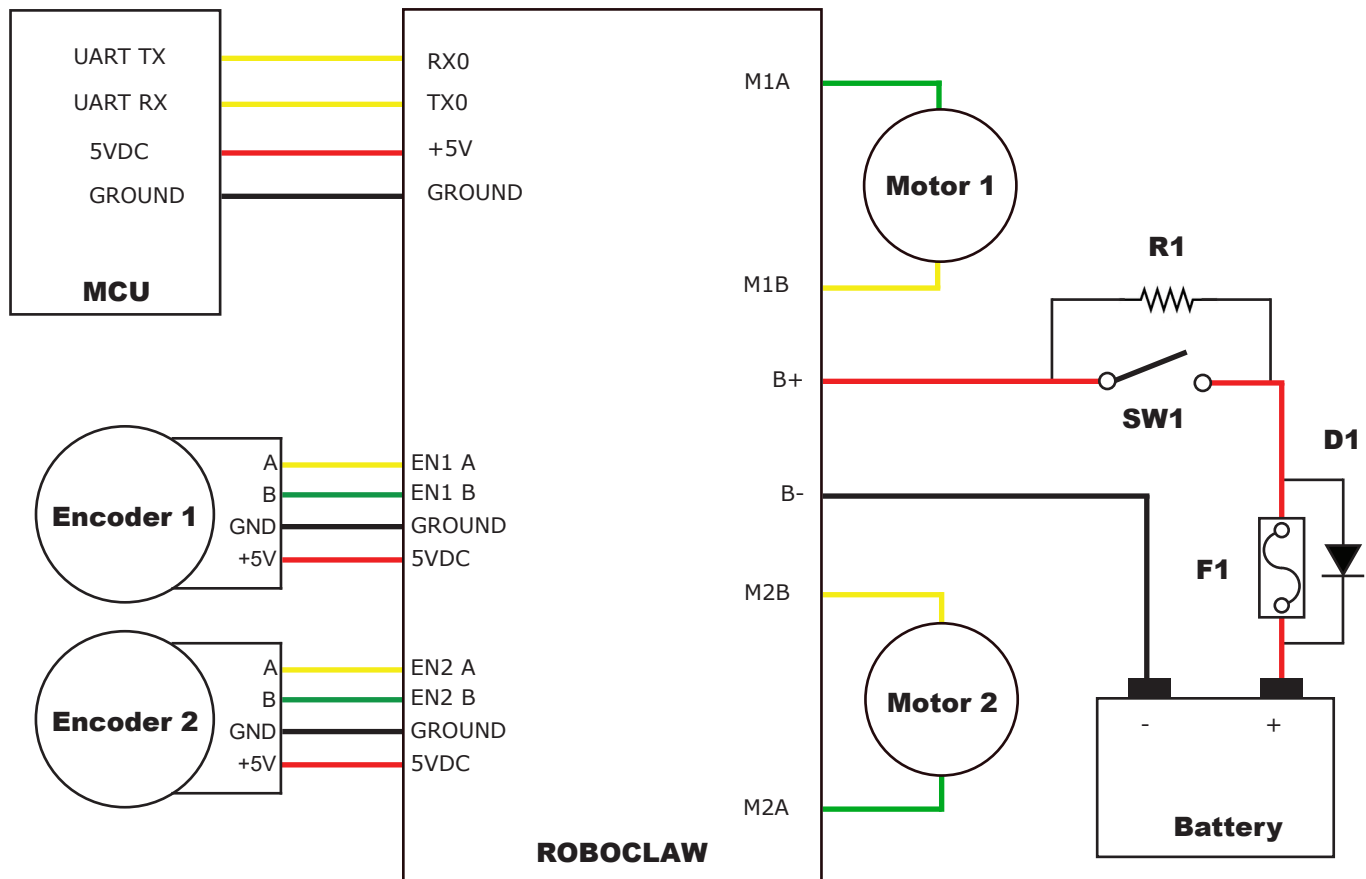
**Wiring Safety**

In all system with movement, safety is a concern. This concern is amplified when dealing with higher voltages. The wiring diagram below illustrates a properly wired system. An external main power cut off is required (SW1). The external cut off can consist of a high amperage mechanical switch or a contactor.

When the RoboClaw is switched off or a fuse is blown, a high current diode (D1) is required to create a return path to the battery for potential regenerative voltages. In addition a pre-charge resistor (R1) is required to reduce the high inrush currents to charge the on board capacitors. A pre-charge resistor (R1) should be around 1K, 1/2Watt for a 60VDC motor controller which will give a pre-charge time of about 15 seconds. A lower resistances can be used with lower voltages to decrease the pre-charge time.

**Closed Loop Mode**

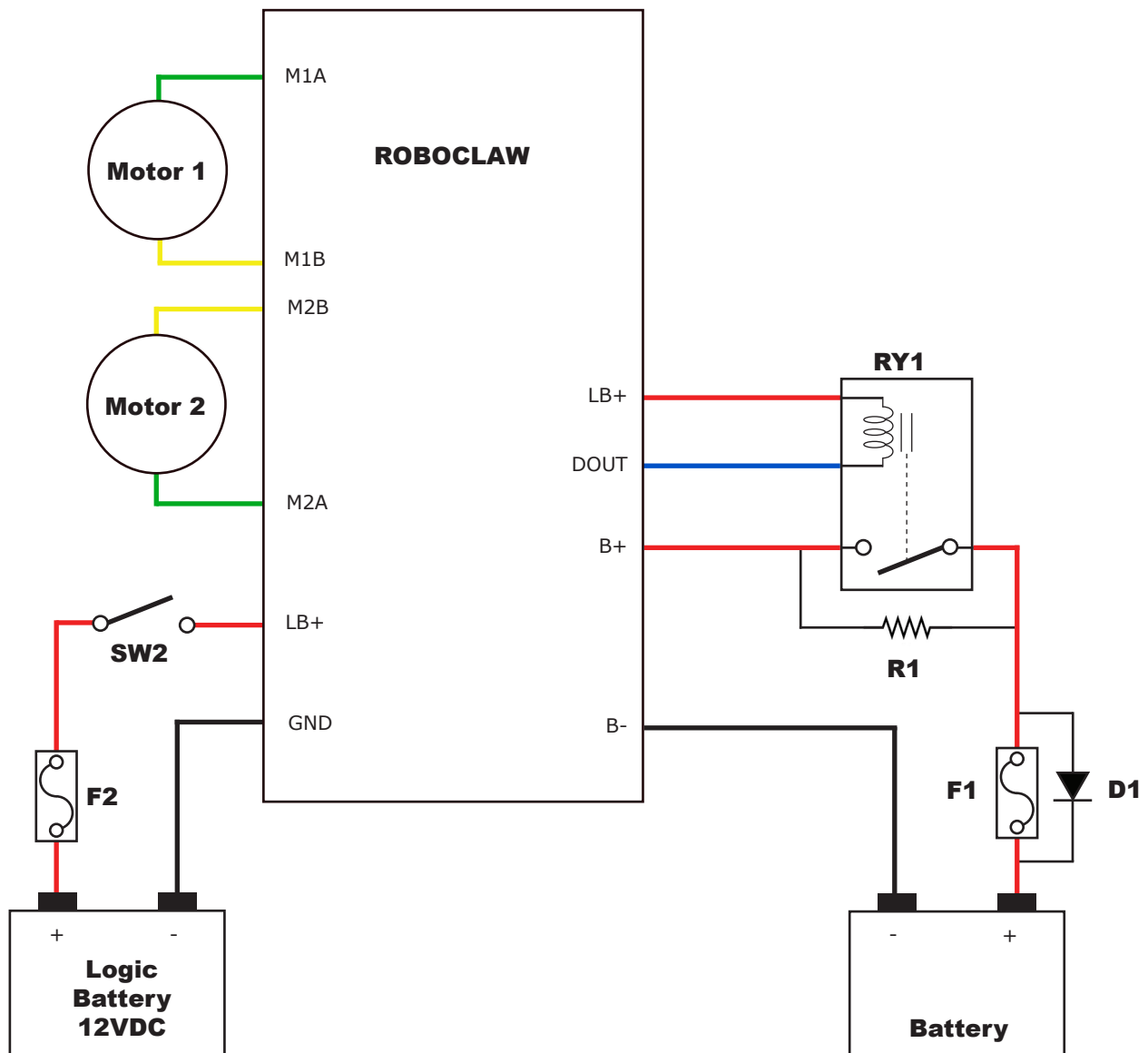
A wide range of sensors are supported for closed loop operation. RoboClaw supports dual quadrature encoders (up to 9.8 million PPS), absolute encoders, potentiometers and hall effect sensors. The wiring diagram below is an example of closed loop mode using quadrature encoders. Quadrature encoders are directional. RoboClaw’s internal counters will increment for clockwise rotation (CW) and decrement for counter clockwise rotation (CCW). When wiring encoders A and B channels it is important they are wired to match the direction of the motor. If the encoder is wired in reverse it can cause a run away condition. All motor and encoder combinations will need to be tuned (see the RoboClaw user manual).



**Contactors, Relays and Solenoids**

As a safety precaution a contactor, relay or solenoid with the proper ratings for the planned load should be used (RY1). The disconnect devices contacts should be rated for the total current output of both motor channels combined. The disconnect device can be controlled by the DOUT pins or a simple manual switch.

The DOUT pins are designed to control inductive loads. They can be toggled by external user commands. The wiring diagram below illustrates a basic wire scheme using a contactor as the disconnect for main power. The DOUT controls the ground to the relay coil. The positive terminal of the relay coil can be connected several ways depending on its rated voltage. The diagram below shows a 12VDC logic battery and a contactor with a 12VDC coil. However if the contactor coil is 5VDC then regulated output from the BEC should be used. The main battery can also be used as the power source to energize the contactor coil.

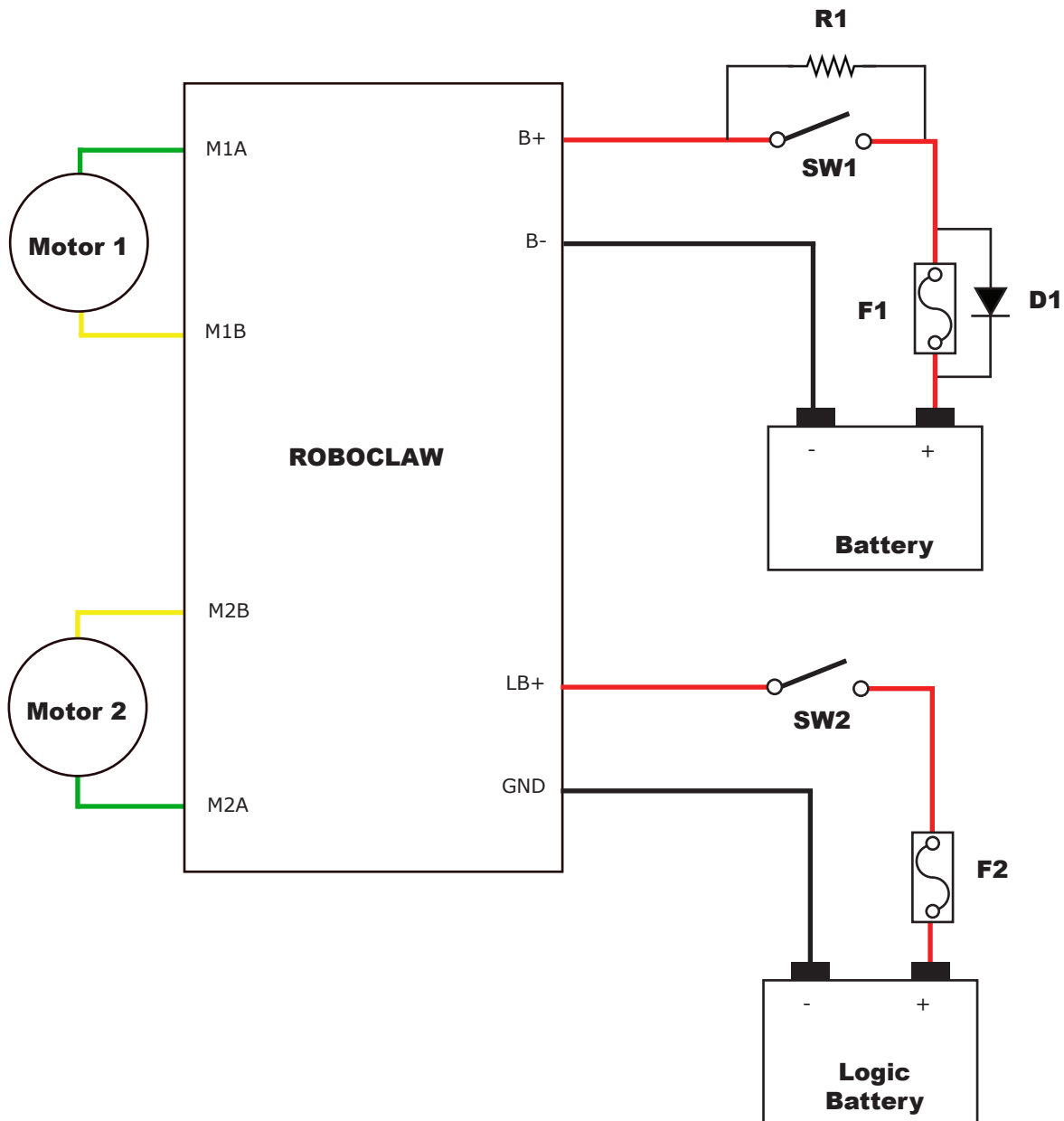


**Logic Battery**

An optional logic battery is supported. Under heavy loads the main power can suffer voltage drops, causing potential logic brown outs which may result in uncontrolled behavior. A separate power source for the motor controllers logic circuit, will remedy potential problems from main power voltage drops. The logic battery maximum input voltage is 34VDC with a minimum input voltage of 6VDC. The 5V regulated user output is supplied by the secondary logic battery if supplied. The mAh of the logic battery should be determined based on the load of attached devices powered by the regulated 5V user output.

**Logic Battery Jumper**

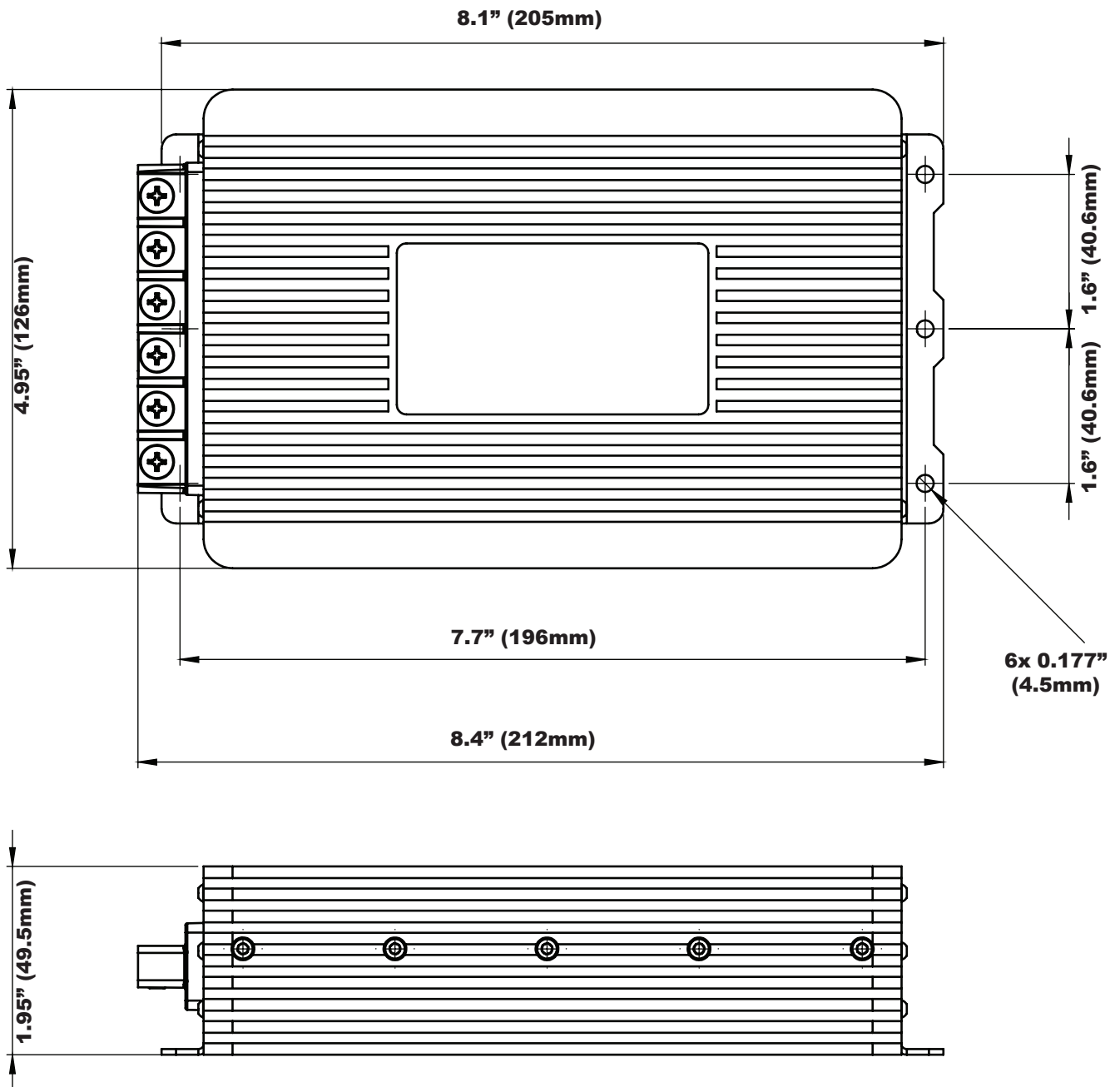
The configuration below utilizes a logic battery. Older models of RoboClaw have a logic battery jumper. On models where the LB-MB header is present the jumper must be removed when using a separate logic battery. If the header for LB-MB is not present, then the RoboClaw will automatically set the logic battery power source.



**Mechanical Specifications**

Characteristic	Model	Min	Typ	Max	Rating
Weight	2X1xxA / 2X2xxA		58 (1,630)		Oz (g)

**Dimensions**



## Electrical Specifications

Characteristic	Model	Min	Typ	Max	Rating
Main Battery	2X160A	10		34	VDC
	2X120AHV	10		60	VDC
	2X160AHV	10		60	VDC
	2X200AHV	10		60	VDC
Logic Battery	All	6	12	14	VDC
Maximum External Current Draw (BEC)	All			3	A
Motor Current Per Channel	2X160A		120 <sup>(2)</sup>	160 <sup>(1,2)</sup>	A
	2X120AHV		90 <sup>(2)</sup>	120 <sup>(1,2)</sup>	A
	2X160AHV		120 <sup>(2)</sup>	160 <sup>(1,2)</sup>	A
	2X200AHV		160 <sup>(2)</sup>	200 <sup>(1,2)</sup>	
On Resistance	2X160A		1		mOhm
	2X120AHV		1.85		mOhm
	2X160AHV		1		mOhm
	2X200AHV		1		mOhm
Logic Circuit Current Draw	All		50mA		mA
Input Impedance	All		100		Ω
Input	All	0		5	VDC
Input Low	All	-0.3		0.8	VDC
Input High	All	2		5	VDC
CTRL1 / CTRL2	All			40	VDC
CTRL1 / CTRL2	All			3	A
I/O Output Voltage	All	0		3.3	VDC
Digital and Analog Input Voltage	All			5	VDC
Analog Useful Range	All	0		2	VDC
Analog Resolution	All		1.44		mV
Pulse Width	All	1		2	mS
Encoder Counters	All		32		Bits
Encoder Frequency	All			19.66	Mhz
RS232 Baud Rate (Note 3)	All			460,800	Bits/s
RS232 Time Out (Note 3)	All	10			ms
Temperature Range	All	-40	40	90	°C
Temperature Protection Range	All	75		90	°C
Humidity Range	All			100 (4)	%

**Notes:**

1. Peak current is automatically reduced to the typical current limit as temperature approaches 85°C.
2. Current is limited by maximum temperature. Starting at 75°C, the current limit is reduced on a slope with a maximum temperature of 90°C, which will reduce the current to 0 amps. Current ratings are based on ambient temperature of 25°C.
3. RS232 format is 8Bit, No Parity and 1 Stop bit.
4. Non condensing humidity will damage the motor controller.



**Warranty**

Basicmicro warranties its products against defects in material and workmanship for a period of 1 year. If a defect is discovered, Basicmicro will, at our sole discretion, repair, replace, or refund the purchase price of the product in question. Contact us at [sales@basicmicro.com](mailto:sales@basicmicro.com). No returns will be accepted without the proper authorization.

**Copyrights and Trademarks**

Copyright© 2020 by Basicmicro, Inc. All rights reserved. All referenced trademarks mentioned are registered trademarks of their respective holders.

**Liability Statement**

By purchasing and using Basicmicro's products you acknowledge and agree to the following: Basicmicro has no liabilities (and, to the Basicmicro's knowledge, there is no basis for any present or future action against the company giving rise to any liability) arising out of any injury to individuals or property as a result of ownership, possession or use of any product designed or sold by Basicmicro. No product from Basicmicro should be used in any medical devices and/or medical situations. No product should be used in any life support situations.

**Contacts**

Email: [sales@basicmicro.com](mailto:sales@basicmicro.com)  
Tech support: [support@basicmicro.com](mailto:support@basicmicro.com)  
Web: <http://www.basicmicro.com>

**Discussion List**

A web based discussion board is maintained at <http://www.basicmicro.com>

**Technical Support**

Technical support is available by sending an email to [support@basicmicro.com](mailto:support@basicmicro.com), by opening a support ticket on the Basicmicro website or by calling 800-535-9161 during normal operating hours. All email will be answered within 48 hours.