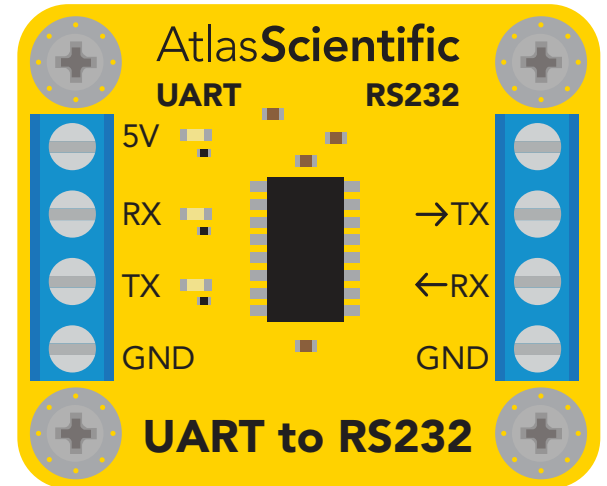


UART to RS-232 Converter

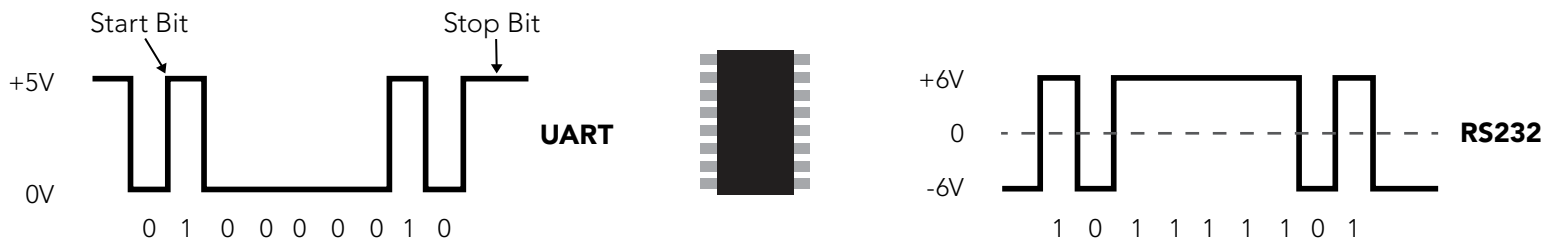
This device converts the UART data from an EZO sensor to RS-232

Many industrial control systems, PLC's and data loggers have RS-232 communication ports. Because UART serial communication closely matches RS-232, signal conversion is possible.

Since the dawn of time, humanity has used the MAX-232 level shifter to convert UART to RS-232. Today there are many different versions of the classic MAX-232. This version has been designed as a simple to use drop-in component that gets the job done without much thinking.



Operating principle



Wiring diagram

