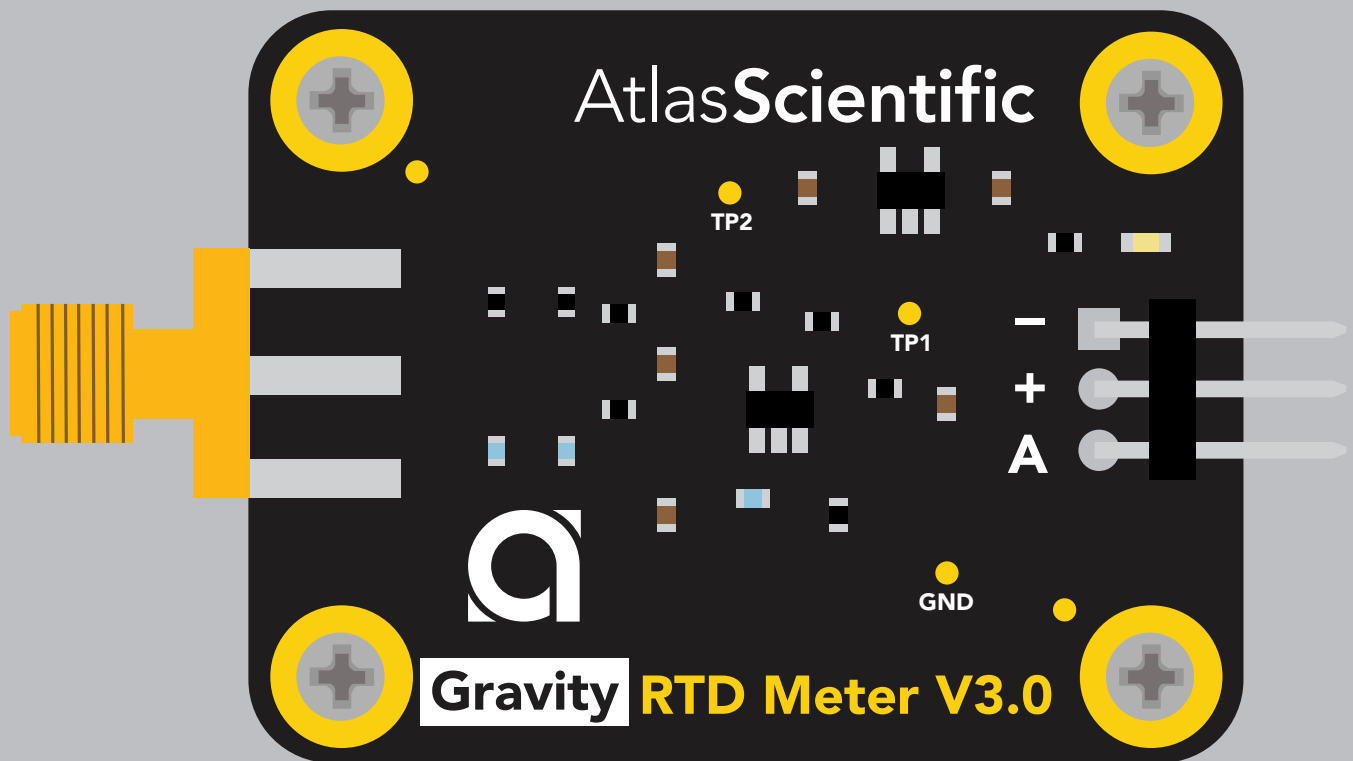


GravityTM

Analog Temperature Sensor / Meter

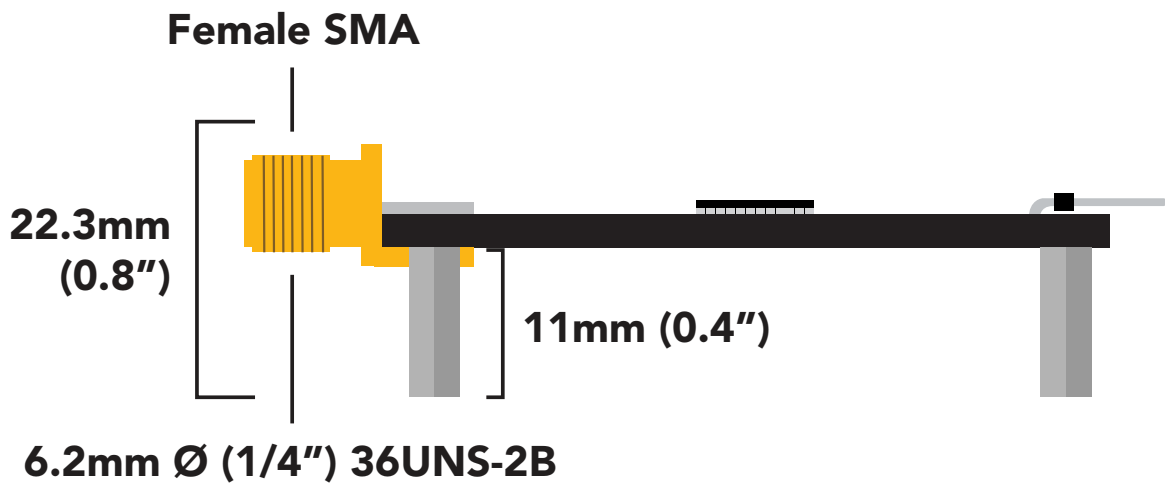
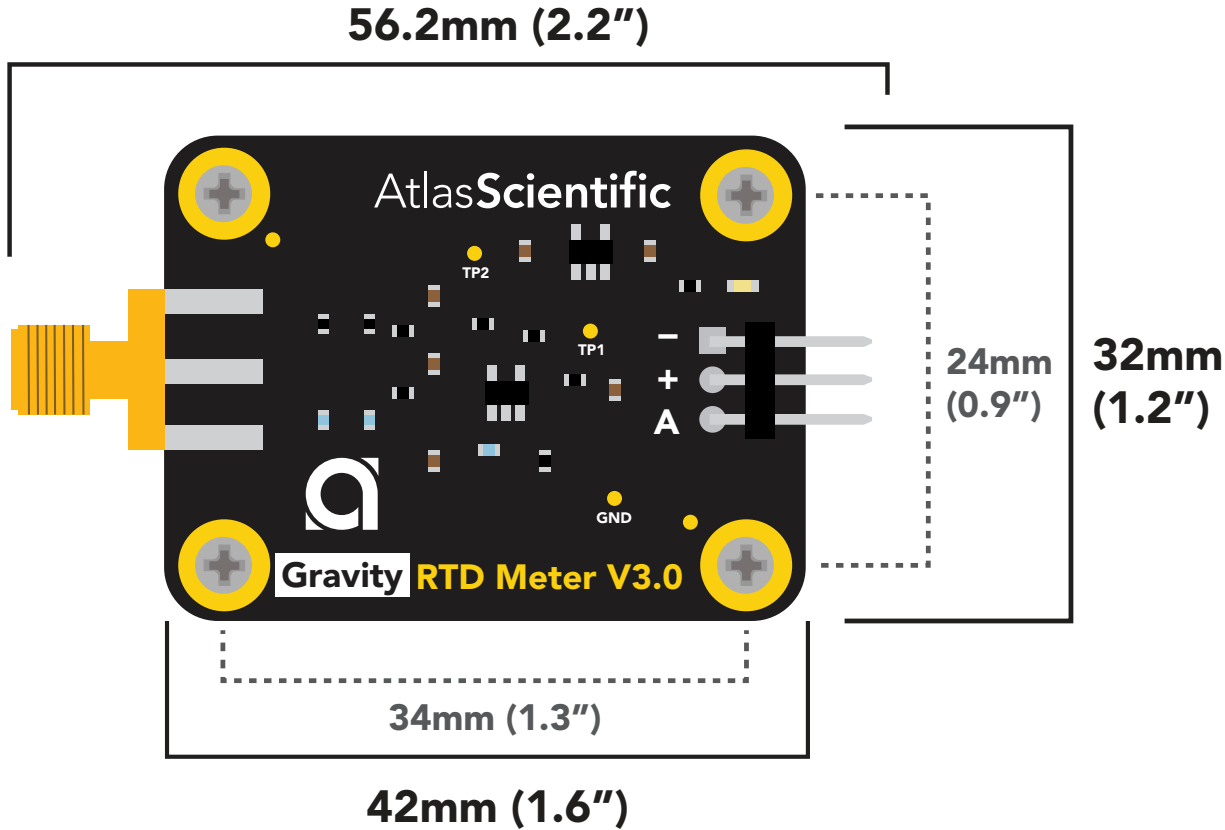


Range
-100°C to 220°C



PATENT PROTECTED

Gravity dimensions



Power consumption

5V = 0.9mA
3.3V = 0.9mA

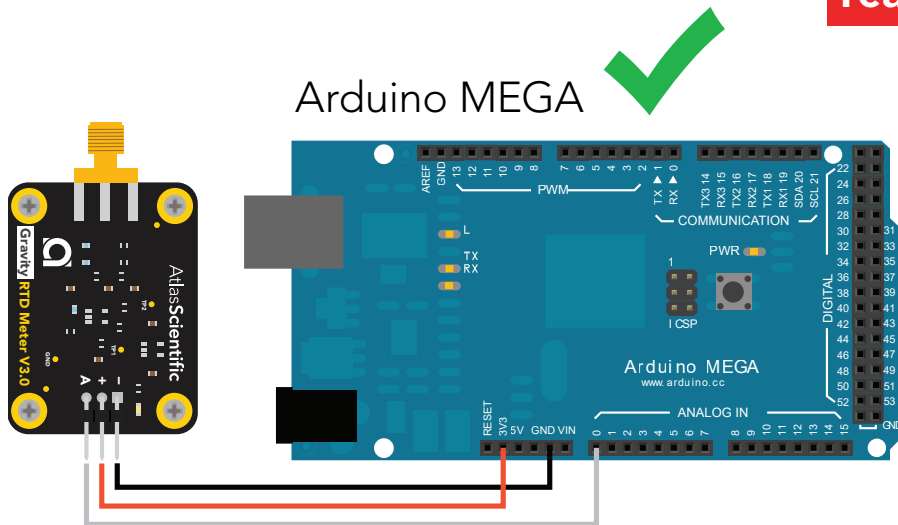
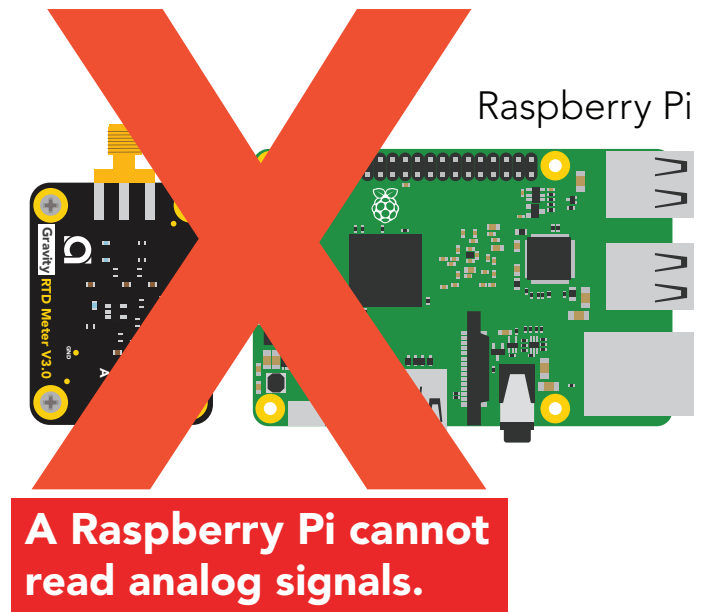
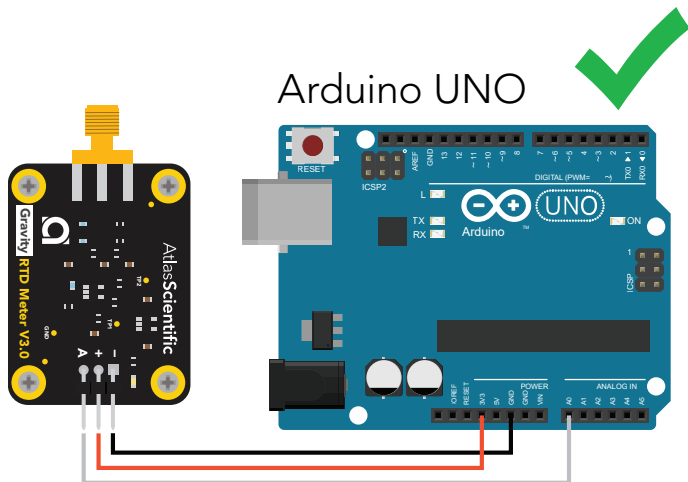
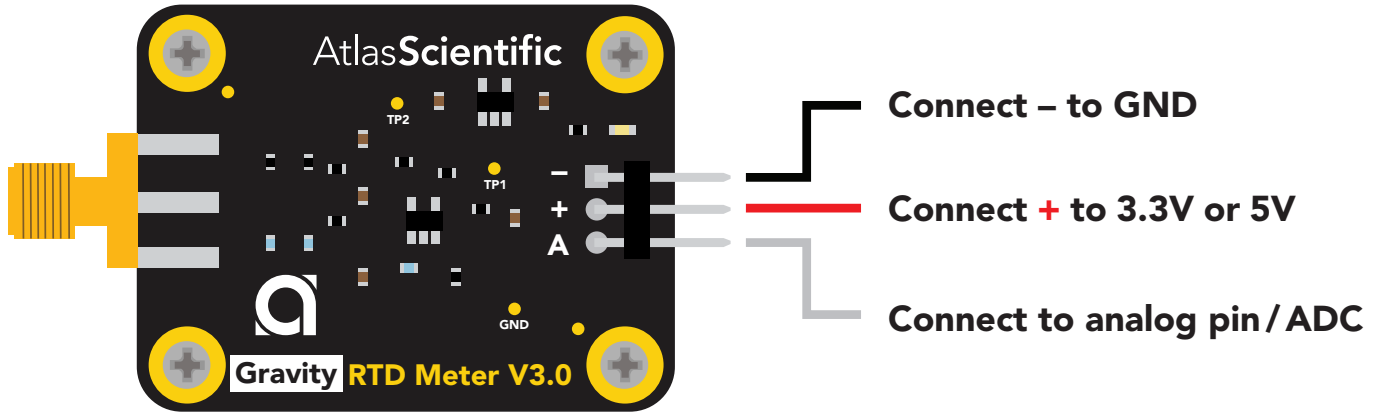
Absolute max ratings

Parameter	MIN	TYP	MAX
Storage temperature	-65 °C		125 °C
Operational temperature	-40 °C	25 °C	50 °C
VCC	3.3V	5V	5.5V

The Atlas Scientific Gravity™ Analog Temperature Sensor / Meter is a low-cost solution specifically designed for

- **Students / education**
- **Proof of concept designs**
- **Moderate accuracy applications**

Connection pins

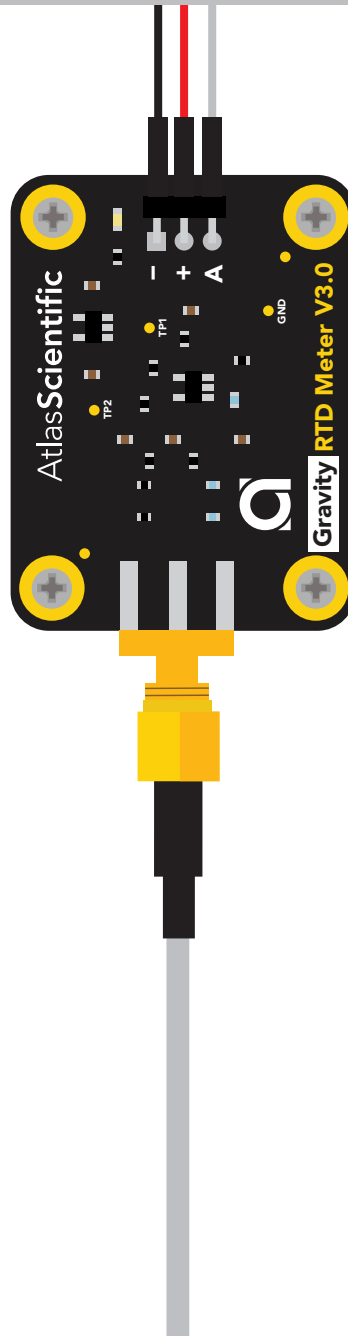
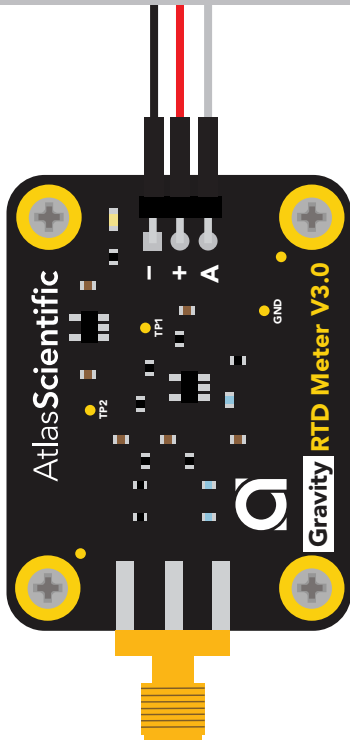


Converting the analog signal into temperature

The Atlas Scientific Gravity™ Analog RTD Sensor / Meter will output a voltage from 0V to 3.00V.

Equation to convert voltage to temperature

$$^{\circ}\text{C} = (V - 1.058) / 0.009$$

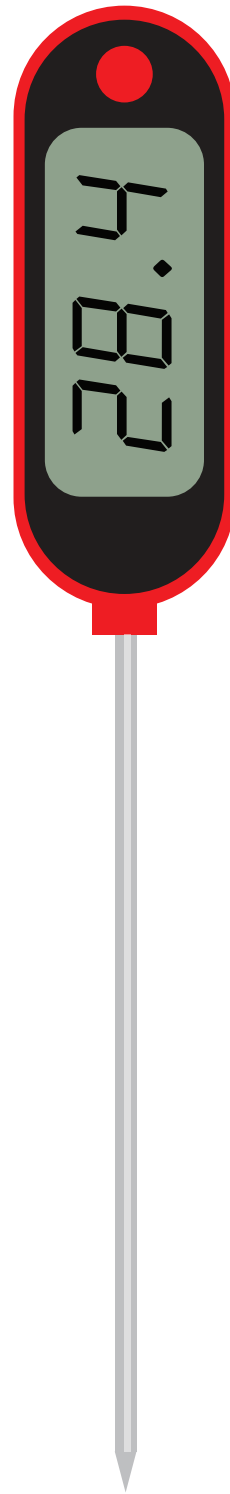
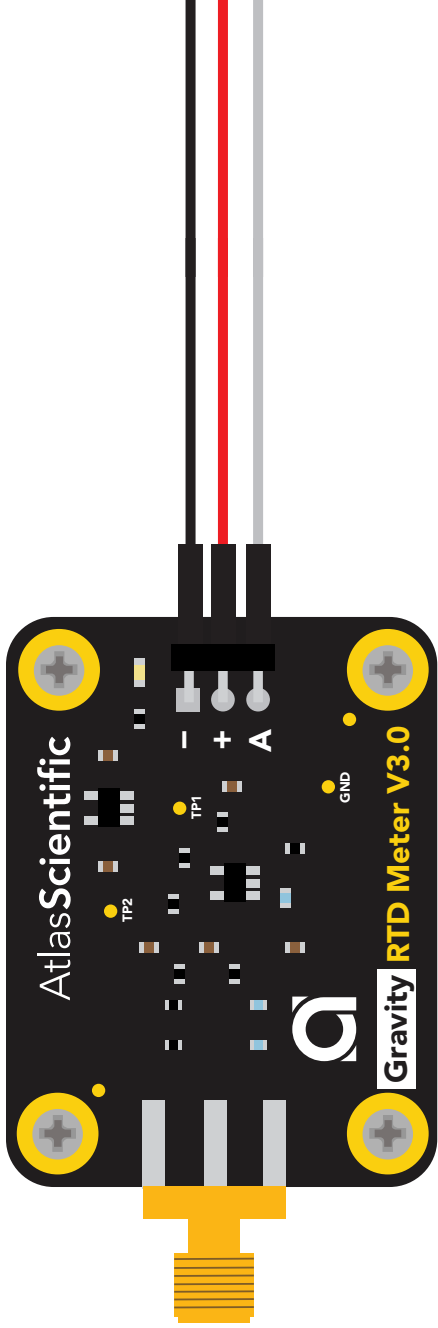


Tolerance +/- 1°C

Temp Volts

100	1.958
25	1.283
0	1.058
-50	0.608

No probe = Unpredictable



Accuracy

+/- 0.5 °C

Life expectancy

~10 years

Accuracy

+/- 1 °C

Life expectancy

~ 1 year