



Pet Mate Ltd. guarantee your product for a period of 3 years from the date of purchase, subject to the registration of your purchase details on our website [www.pet-mate.com](http://www.pet-mate.com) within 14 days of purchase. (If you do not have access to a computer, please send details of your purchase with copy of receipt along with your name and address.) In the event of a fault developing contact Pet Mate customer services for a returns authorisation number. The guarantee is limited to any defect arising due to faulty materials or manufacture. Any defective item will be repaired or replaced free of charge at the manufacturer's discretion, provided that the defect has not been caused by neglect, misuse or normal wear and tear. This guarantee excludes damage caused by your pet, although replacement parts are available from our website. Your statutory rights are not affected.

#### **D** GARANTIE

Pet Mate Ltd. gewährt auf Ihr Produkt eine Garantie von 3 Jahren ab dem Kaufdatum, dass die Registrierung Ihres Produkts auf unserer Website [www.pet-mate.com](http://www.pet-mate.com) innerhalb von 14 Tagen des Kaufdatums erfolgt ist. (Wenn Sie keinen entsprechenden Computerzugang haben, senden Sie uns bitte Ihre Kaufangaben zusammen mit einer Kopie Ihres Einkaufsbelegs und Angabe Ihres Namens und Ihrer Adresse.) Sollte an Ihrem Produkt eine Störung auftreten, so kontaktieren Sie bitte den Kundendienst von Pet Mate, damit wir Ihnen eine Rücksendungs-Genehmigungsnummer übermitteln können. Die Garantie ist auf Mängel beschränkt, die auf fehlerhaftes Material oder Produktionsfehler zurückzuführen sind. Fehlerhafte Artikel werden nach Ermessen des Herstellers kostenlos repariert oder ersetzt, vorausgesetzt, dass der Defekt nicht durch ein Missgeschick, Vernachlässigung, falsche Bedienung oder normale Abnutzung verursacht wurde. Diese Garantie gilt nicht für Schäden, die durch Ihr Haustier verursacht wurden. Ersatzteile können aber auf unserer Website bestellt werden. Ihre gesetzlichen Rechte sind nicht betroffen.

#### **F** GARANTIE

Pet Mate Ltd garantit votre produit pour une période de 3 ans à compter de la date d'achat, sous réserve d'enregistrement des détails de votre achat sur notre site [www.pet-mate.com](http://www.pet-mate.com) dans les 14 jours suivant l'achat. (Si vous n'avez pas accès à un ordinateur, veuillez envoyer les détails de votre achat avec une copie du reçu, accompagnée de votre nom et de votre adresse.) En cas de panne/mauvais fonctionnement, contactez Pet Mate pour obtenir un numéro d'autorisation de retour. Les articles défectueux seront remplacés ou réparés gratuitement à la discrétion du fabricant, sous réserve que le mauvais fonctionnement ne soit pas le résultat d'un usage inadéquat ou abusif ou d'une usure normale. Cette garantie exclut les dommages causés par votre animal de compagnie. Les pièces de rechange sont disponibles sur notre site. Ces conditions n'affectent pas vos droits statutaires.

#### **E** GARANTÍA

Pet Mate Ltd. garantiza su producto durante un período de 3 años a partir de la fecha de compra, siempre y cuando haya registrado los detalles de su compra en nuestro sitio web, [www.pet-mate.com](http://www.pet-mate.com), durante los 14 días posteriores a la fecha de compra. (Si no tuviera acceso a un ordenador, por favor, envíe los detalles de su compra junto con una copia del recibo, su nombre y dirección.) En caso de producirse un fallo, póngase en contacto con Servicio al Cliente de Pet Mate para obtener un número de autorización de devolución. La garantía se limita a aquellos fallos que se produzcan como consecuencia de materiales o fabricación defectuosos. Todo artículo defectuoso se reparará o reemplazará a la discreción del fabricante, siempre y cuando el defecto no haya sido causado por negligencia, uso indebido o el uso y desgaste normales. Esta garantía excluye los daños causados por su mascota. En nuestro sitio web encontrará las piezas de recambio que necesite. Sus derechos estatutarios no resultarán afectados.

#### **NL** GARANTIE

Pet Mate Ltd. garandeert uw product gedurende 3 jaar na koopdatum, vanaf de koopdatum en afhankelijk van de registratie binnen 14 dagen na aankoop van uw koopgegevens op onze website [www.pet-mate.com](http://www.pet-mate.com). (Als u geen toegang tot een computer hebt, wilt u dan de gegevens over uw aanschaf samen met een kopie van uw koopbewijs inclusief uw naam en adres opsturen.) Mocht zich een defect voordoen, neemt u dan contact op met de klantendienst van Pet Mate en u ontvangt een autoriseringsnummer voor retour. Deze garantie betreft slechts defecten ten gevolge van materiaal- of fabrieksfout. Elk defect onderdeel wordt gratis gerepareerd of vervangen, dit ter beoordeling van de fabrikant, en op voorwaarde dat het defect niet ontstaan is door onzorgvuldigheid, onjuist gebruik of door normale slijtage. Deze garantie is exclusief beschadigingen die ontstaan zijn door u, dier, echter vervangende onderdelen zijn te bestellen via onze website. Dit heeft geen effect op uw vastgelegde rechten.



Hereby, Pet Mate Ltd., declares that this product is in compliance with the essential requirements and other relevant provisions of EU Directives. All Declarations of Conformity (DoC) may be viewed at [www.pet-mate.com/eudoc](http://www.pet-mate.com/eudoc).

#### **D**

Pet Mate Ltd. erklärt, dass dieses Produkt den grundlegenden Anforderungen und anderen zutreffenden Bestimmungen von EU-Richtlinien entspricht. Alle Konformitätserklärungen können unter [www.pet-mate.com/eudoc](http://www.pet-mate.com/eudoc) aufgerufen werden.

#### **F**

Pet Mate Ltd. déclare par la présente que ce produit est conforme aux exigences essentielles et aux autres dispositions pertinentes des directives de l'UE. Toutes les déclarations de conformité peuvent être consultées à l'adresse [www.pet-mate.com/eudoc](http://www.pet-mate.com/eudoc).

#### **E**

Por el presente, Pet Mate Ltd. declara que este producto cumple los requisitos esenciales y demás provisiones oportunas de las Directivas UE. Todas las Declaraciones de Conformidad (DoC) pueden verse en [www.pet-mate.com/eudoc](http://www.pet-mate.com/eudoc).

#### **NL**

Hierbij verklaart Pet Mate Ltd. dat dit product voldoet aan de essentiële eisen en overige relevante voorschriften van EU Richtlijnen. Alle verklaringen van overeenstemming (DoC) zijn te lezen op [www.pet-mate.com/eudoc](http://www.pet-mate.com/eudoc).



**IMPORTANT:** Dispose of end-of-life products and batteries in accordance with locally applicable regulations for your country. **EU:** Refer to Terms and Conditions section *EU Waste Electrical and Electronic Equipment (WEEE) Directive* on [www.pet-mate.com](http://www.pet-mate.com) for more information.

#### **D**

**WICHTIG:** Altprodukte und aufgebrauchte Batterien müssen in Übereinstimmung mit den im Verwendungsland geltenden örtlichen Bestimmungen entsorgt werden. **EU:** Weitere Informationen dazu können in den Allgemeinen Geschäftsbedingungen im Abschnitt zur EU-Richtlinie über Elektro- und Elektronik-Altgeräte (WEEE-Richtlinie) unter [www.pet-mate.com](http://www.pet-mate.com) aufgerufen werden.

#### **F**

**IMPORTANT :** En fin de vie, mettez les produits et les piles au rebut en respectant les réglementations locales en vigueur dans votre pays. **UE:** reportez-vous à la section Modalités et conditions de la directive européenne relative aux déchets d'équipements électriques et électroniques (DEEE) sur [www.pet-mate.com](http://www.pet-mate.com) pour plus d'informations.

#### **E**

**IMPORTANTE:** Elimine los productos desgastados y las pilas en conformidad con los reglamentos aplicables localmente de su país. **UE:** Para más información, consulte la sección de Términos y Condiciones, Directiva sobre Residuos de Aparatos Eléctricos y Electrónicos (RAEE) en [www.pet-mate.com](http://www.pet-mate.com).

#### **NL**

**BELANGRIJK!** Gooi afgedankte producten en batterijen weg in overeenstemming met de ter plaatse geldende voorschriften voor uw land. **EU:** Voor aanvullende informatie kunt u de paragraaf met Richtlijnen voor Afgedankte Elektrische en Elektronische Apparatuur in de Algemene Voorwaarden van de EU (AEEA) op [www.pet-mate.com](http://www.pet-mate.com) raadplegen.

# CAT MATE® C3000

34716/1019

## INSTRUCTIONS

Gebrauchsanleitung · Mode d'emploi · Instrucciones · Instructies

IMPORTANT - PLEASE READ BEFORE USE

# AUTOMATIC DRY FOOD PET FEEDER

#### **D**

WICHTIG - BITTE VOR MONTAGE DURCHLESEN (Seiten 7 - 9)

## TROCKENFUTTER-AUTOMAT FÜR HAUSTIERE

#### **F**

IMPORTANT - A LIRE AVANT USAGE (Pages 10 - 12)

## DISTRIBUTEUR AUTOMATIQUE D'ALIMENTS SECS POUR ANIMAUX

#### **E**


IMPORTANTE - LEA ANTES DE USAR (Páginas 13 - 15)

## COMEDERO AUTOMÁTICO DE MASCOTAS PARA PIENSOS SECOS

#### **NL**

## BELANGRIJK! LEES DIT EERST VOOR GEBRUIK (Bladzijden 16 - 18) AUTOMATISCH DROOGVOER APPARAAT VOOR HUISDIEREN

 [www.pet-mate.com](http://www.pet-mate.com)

 +44 (0)1932 700 001  
N America (936) 760 4333

**Components: (Fig. 1)**

- A. Hopper lid
- B. Food hopper
- C. Feeding nozzle
- D. Base unit
- E. Feeding mechanism
- F. Battery cover
- G. Feeding bowl

**D****Bauteile: (Abb. 1)**

- A. Futterbehälterdeckel
- B. Futterbehälter
- C. Futterausgabestutzen
- D. Grundgerät
- E. Futterförderer
- F. Batteriedeckel
- G. Futternapf

**F****Composants : (fig. 1)**

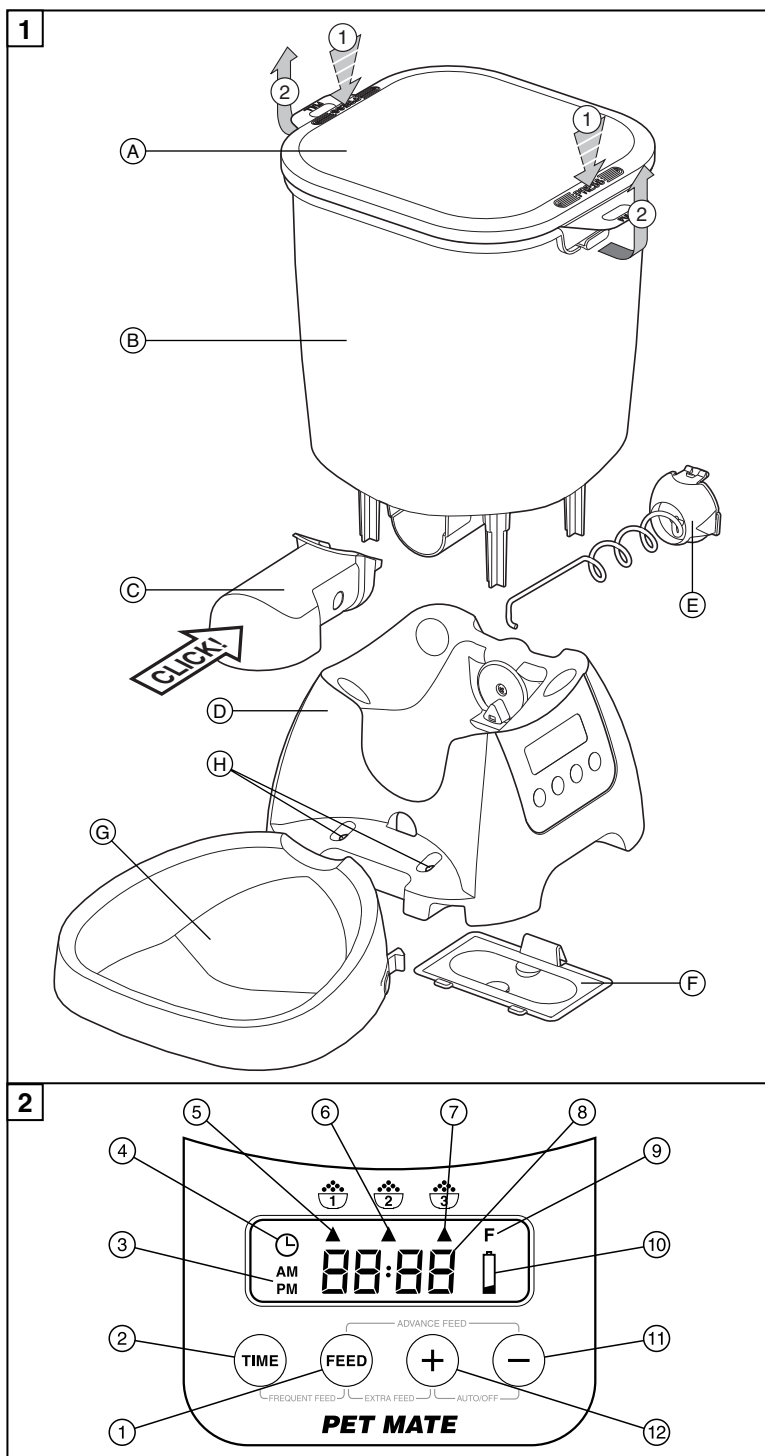
- A. Couverture de la trémie
- B. Trémie pour aliments
- C. Buse de distribution
- D. Unité de base
- E. Mécanisme de distribution
- F. Couverture de la pile
- G. Bol d'alimentation

**E****Componentes: (fig. 1)**

- A. Tapa de la tolva
- B. Tolva de pienso
- C. Boquilla surtidora
- D. Unidad base
- E. Mecanismo de surtido
- F. Cubierta de pilas
- G. Bol comedero

**NL****Onderdelen: (afb. 1)**

- A. Deksel van voedselbak
- B. Voedselbak
- C. Voedingstuit
- D. Onderstuk
- E. Voedingsmechanisme
- F. Batterijdeksel
- G. Voerbak

**LCD Display / Buttons: (Fig. 2)**

1. 'FEED' button
2. 'TIME' button
3. AM/PM indicators (12hr mode)
4. 'CLOCK' indicator
- 5 - 7. MEAL 1 - 3 indicators
8. Display
9. FREQUENT FEED indicator
10. Low battery indicator
11. '-' (MINUS) button
12. '+' (ADVANCE) button

**D****LCD-Display / Tasten: (Abb. 2)**

1. Futterverbreichungs-Taste (FEED)
2. Uhrzeit-Taste (TIME)
3. AM/PM-Anzeigen  
12-Stunden-Uhrzeitmodus)
4. Uhr-Anzeige (CLOCK)
- 5 - 7. Anzeigen Fütterung (MEAL) 1 - 3
8. Display
9. Anzeige für häufige Fütterung (F)
10. Niedrige Batterie-Anzeige
11. '-' (MINUS)-Taste
12. '+' (VORWÄRTS)-Taste

**F****Écran à cristaux liquides / boutons : (fig. 2)**

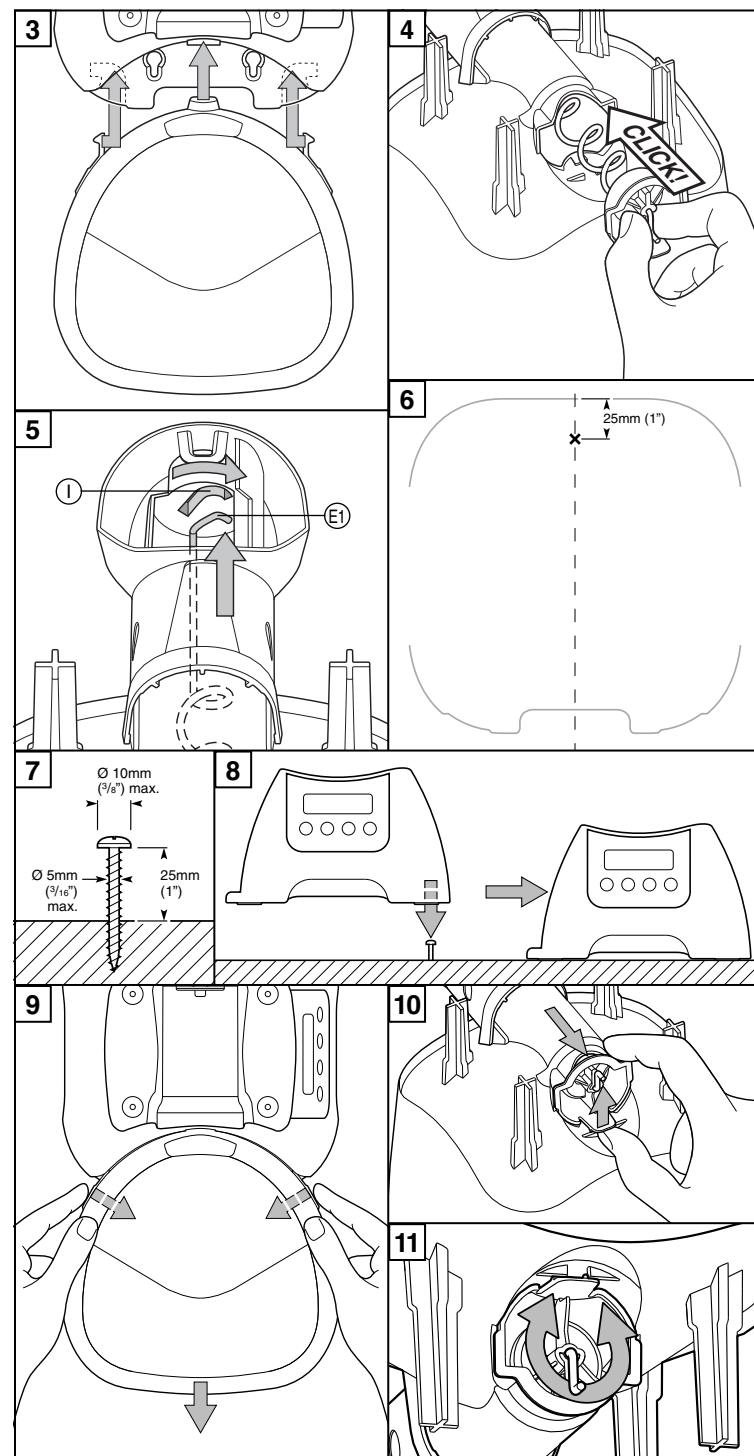
1. Bouton « FEED » (ALIMENTATION)
2. Bouton « TIME » (HEURE)
3. Indicateur AM/PM (mode horloge 12h)
4. Indicateur « CLOCK » (MINUTEUR)
- 5 - 7. Indicateurs MEAL (REPAS) 1 - 3
8. Affichage
9. Indicateur « FREQUENT FEED » (ALIMENTATION FRÉQUENTE)
10. Indicateur de pile faible
11. Bouton « - » (MOINS)
12. Bouton « + » (AVANCEMENT)

**E****Pantalla LCD / Botones: (fig. 2)**

1. Botón 'FEED' (SURTIDO)
2. Botón 'TIME' (HORA)
3. Indicadores AM/PM (mañana/tarde) (modo reloj de 12 horas)
4. Indicador 'CLOCK' (RELOJ)
- 5 - 7. Indicadores MEAL (COMIDA) 1 - 3
8. Pantalla
9. Indicador SURTIDO FRECUENTE
10. Indicador de pila baja
11. Botón '-' (MENOS)
12. Botón '+' (AVANCE)

**NL****LCD Display / Knoppen: (afb. 2)**

1. 'FEED' (VOER) knop
2. 'TIME' (TIJD) knop
3. AM/PM-Indicatielampje (12-uurs klok)
4. Indicatielampje 'CLOCK' (KLOK)
- 5 - 7. Indicatielampjes MEAL (MAAL) 1 - 3
8. Display
9. Indicatielampje FREQUENT VOEREN
10. Indicatielampje batterij bijna leeg
11. '-' (MIN) knopje
12. '+' (PLUS) knopje



## IMPORTANT SAFETY INSTRUCTIONS

- Read all instructions before installing or using this product.
- Register your purchase on-line at [www.pet-mate.com](http://www.pet-mate.com) (see guarantee).
- Do not allow children to play with this product.
- Inspect product regularly for correct operation and damage. Do not use if in doubt.
- This product is designed for use with pets only, as described in these instructions.
- Dispose of all packaging material properly.

*NOTE: Plastic bags could cause suffocation - keep away from children and animals.*

## SAVE THESE INSTRUCTIONS

### 1. Introduction

Thank you for choosing this Cat Mate Electronic Pet Feeder.

This feeder allows you to program up to 3 meals over a 24 hour period with the ability to vary the size of each meal as required. In addition, the feeder will allow you to serve meals in advance of their programmed times and serve extra meals on demand. For pets with specific dietary requirements (e.g. diabetic pets) there is a 'frequent feeding' option which will dispense a programmed meal over a longer period of time.

To ensure your chosen settings cannot easily be tampered with, the control buttons need to be pressed firmly to operate.

If you start the set-up process and abandon it before completion, the operating system will 'time out' after 60 seconds and the current time will be displayed.

Your feeder is manufactured from top quality materials and is assembled to comply with rigorous quality standards. However, we do recommend that before unsupervised use, you supervise its correct operation over a period of at least 3 days.

It is normal for this feeder to make a noise when serving food. The noise may discourage timid pets at first, but they will soon learn to associate the noise with feeding time.

The feeder is designed for use with dry (not moist) foods with a maximum pellet size of 16mm (5/8").

**When leaving your pet, ensure adequate water and toilet arrangements have been made. Pets, in particular puppies and kittens, must not be left alone for long periods without someone to check periodically that all is well.**

- Need help? A video guide to setting up your feeder is available on YouTube or at [www.pet-mate.com](http://www.pet-mate.com)



### 2. Assembling the pet feeder

- 2.1 Remove hopper lid by pressing down lid (Arrow 1, Fig. 1) and then lifting locking tabs on both sides (Arrow 2, Fig. 1). Remove the feeding bowl, feeding nozzle and feeding mechanism.

- 2.2 **First**, push the nozzle (C) in to the front aperture at the base of the hopper (Fig. 1) until it **clicks** in to position.
- 2.3 Insert the feeding mechanism in to the rear aperture at the base of the hopper holding the metal arm between finger and thumb, as shown in Fig. 4. Align the hooked end of the feeding element (E) with the recess (I) in the rotating element of the of the feeding nozzle (Fig. 5) before fully inserting the feed mechanism in to the hopper until the retaining clip **clicks** in to position. Fit assembled hopper to base unit.
- 2.4 Fit the feeding bowl by locating the tab at the back bowl in to the base unit and clicking the sprung clips either side of the bowl in to position (Fig. 3).

### 3. Fitting the batteries

- 3.1 Lift the hopper out of the base unit.
- 3.2 Turn the base unit over and remove the battery cover by releasing the retaining clip.
- 3.3 Insert 4 good quality alkaline 'C' batteries using the orientation symbols marked in the bottom of the battery compartment. Replace the battery cover. Good quality alkaline batteries should normally last approximately 12 months (dependent on use). You may use all popular batteries including rechargeable and 1.5v lithium batteries but the low battery indicator will only work correctly with standard alkaline batteries.

### 4. Setting the clock

- 4.1 Press and hold the 'TIME' button (Fig. 2) for 5 seconds until the hour figure on the clock starts to flash.
- 4.2 Press the '+' or '-' buttons to adjust the clock to the correct hour. Hold down either the '+' or '-' button for longer than 3 seconds to scroll through.
- 4.3 Press the 'TIME' button and the minute figure will flash. Adjust the minutes using the '+' or '-' buttons.
- 4.4 Press the 'TIME' button to save the setting.
- 4.5 To change the clock between 12 hour (AM/PM) and 24 hour formats, press and hold the 'TIME' button and within 3 seconds press the '+' button.

Wait 60 seconds for the display to stop flashing and the clock to set before proceeding to the next step.

### 5. Setting meal times (Not required for Frequent Feeding option - go to section 10)

- 5.1 Press and hold the 'TIME' button for 5 seconds until the hour figure on the clock starts to flash.
- 5.2 Press the 'TIME' button twice - the hour figure and the 'MEAL 1' indicator will flash.
- 5.3 Set the meal time in the same way as setting the clock, by pressing the '+' or '-' buttons to adjust the hours, press the 'TIME' button again and adjust the minutes.
- 5.4 When the desired meal time is displayed press the 'TIME' button. Repeat 5.3 to set 'MEAL 2' and 'MEAL 3'.

*NOTE: If only one (or two) meals per day are required, the setting for 'MEAL 2' (and 'MEAL 3') are not relevant.*

- 5.5 When all meal times are programmed, save your settings by pressing the 'TIME' button repeatedly until the clock indicator displays.

### 6. Setting meal sizes

**Many pets are overfed which is both expensive and detrimental to your pet's health. We strongly recommend that you check your dry food packaging for the 'Daily Feeding Guide' giving information on the quantity that is needed to maintain your pet's health.** As a guide, a meal size of 3 feed units will approximate to around 30g or 1/4 cup in volume, depending on the food type.

Set the meal sizes for each programmed meal time as follows:

- 6.1 Press and hold the 'FEED' button for 5 seconds. The letter 'F' next to two zeros ('00') will appear and flash on the display. Press the '+' or '-' buttons to set the number of feed units for this meal setting.
- 6.2 Press the 'FEED' button again to set the meal sizes for 'MEAL 2' (and 'MEAL 3').  
*NOTE: Programming the feed units to two zeros ('00') denotes that the feed unit is set to 'off' and the meal indicator will not be displayed when this procedure is completed.*
- 6.3 When all meal sizes are programmed, save your settings by pressing the 'FEED' button.

Once the settings are saved, the clock indicator will be shown and the programmed meal indicators will be displayed under the respective food bowl icons (Fig. 2). The indicator representing the next meal time due to be served will flash.

### 7. Filling the hopper / feeding mechanism

- 7.1 Fill the hopper with a suitable quantity of dry food well in excess of a daily amount. To maintain maximum food freshness/appeal, we recommend that a maximum of 10 days food is loaded.
- 7.2 Fill the feeding mechanism by pressing and holding the 'FEED' button and within 3 seconds pressing and holding the '+' button until the display shows '10'. When feeding stops, press the 'TIME' button to display the clock again. Return food in bowl to hopper.

### 8. Extra feed (in addition to a Set Meal)

If you would like to serve your pet additional units of food at any time, press the 'FEED' and '+' buttons together. The feeder will dispense one unit of food. To serve a number of units, keep both buttons held down and the LCD will display the total number of units dispensed. Release both buttons and the unit will complete its current feed unit. The number of units dispensed will remain displayed for 60 seconds.

### 9. Advance feed (serving the next Set Meal early)

If you would like to bring a programmed set meal forward, press the 'FEED' and '-' buttons together. The feeder will dispense the next programmed meal due and you may now release both buttons. Once the advanced set meal (e.g. MEAL 2) has been served the next programmed meal indicator (i.e. MEAL 3) will flash on the display and food will not be dispensed until that set time.

You may only advance meals programmed for the same day.

### 10. Frequent feed (small feeds at regular intervals)

The Frequent Feed function allows the daily food allowance to be served over the course of a day,

dispensing a single feed unit at a regular interval between a programmed start and finish time. The function is designed for pets with specific dietary requirements (e.g. diabetic cats) or if you wish to regulate the speed of your pet's food intake.

The start/finish times and the feed units can be programmed as follows:

- 10.1 Press and hold the 'TIME' and 'FEED' buttons together for 5 seconds until the Frequent Feed indicator ('F') appears on the LCD (Fig. 2).
- 10.2 Press and hold the 'TIME' button for 5 seconds until the hour figure on the clock starts to flash.
- 10.3 Press the 'TIME' button twice - the hour figure and the 'MEAL 1' (start time) indicator will flash.
- 10.4 Set the start time in the same way as setting the clock, by pressing the '+' or '-' buttons to adjust the hours, then pressing the 'TIME' button again to adjust the minutes.
- 10.5 Press the 'TIME' button. The 'MEAL 3' (finish time) indicator will flash. Repeat 10.4 to set the finish time.
- 10.6 Press the 'TIME' button, the letter 'F' next to two zeros ('00') will appear and flash on the display. Press the '+' or '-' buttons to set the total daily feed units. (6 feed units will approximate to around 60g or 1/2 cup in volume, depending on the food type.)
- 10.7 Press the 'TIME' button to save these settings.

The LCD will return to displaying the clock with the 'Frequent Feed', 'MEAL 1' and 'MEAL 3' indicators displayed.

**To review**, press the 'TIME' button once to view the start time and again for the finish time. Press again to view the feed units and press finally to return to the clock.

**To return the feeder to standard operation**, press and hold the 'TIME' and 'FEED' buttons together for 5 seconds. The 'Frequent Feed' indicator will disappear and the clock will be displayed along with the meal indicators of any previously saved settings programmed.

### 11. Turning the feeder off and on

To turn off the feeder and keep the programmed settings:

- 11.1 Press and hold the '+' and '-' buttons together for 5 seconds until 'OFF' is displayed on the LCD.

To turn the feeder back on:

- 11.2 Press and hold the '+' and '-' buttons together for 5 seconds until LCD displays the clock and the set meal indicators.

### 12. Changing the batteries

When the low battery indicator (Fig. 2.) flashes on the LCD, the batteries need replacing.

#### IMPORTANT:

- **To keep the clock and all the meal settings, you must remove and replace all of the batteries within 60 seconds! The low battery indicator should disappear when the next meal is served.**
- **DO NOT press any buttons during the removal or replacement of the batteries. Doing so will reset the unit and you will need to re-programme your settings.**

### 13. Securing the feeder to a board

If your pet(s) are likely to interfere with the feeder, we recommend the feeder is screwed to a suitably sized wooden board. By the following method, the feeder is easily removed from the board without tools when required:

- 13.1 Place the base unit in the desired position on the board. With a pencil, draw around the footprint.
- 13.2 Draw a centre line on the base unit outline and mark the screw position as shown in Fig. 6.
- 13.3 Select a suitable screw (Fig. 7) and screw it into the board, leaving a distance of 25mm (1") between the board and the base of the screw head to enable the feeder to be removed for battery replacement and cleaning.
- 13.4 Locate the base unit on to the screw and slide it in to the fastened position (Fig. 8).
- 13.5 Line up the base unit within the drawn outline and mark the front screw positions at the narrowest end of the screw holes (H) (Fig. 1).
- 13.6 Remove the base unit from the board. Fit 2 further screws (as specified in 13.3) and locate the base unit back on to the board (as 13.4). If necessary, these 2 screws may be screwed down further to secure the feeder more firmly.

### 14. Cleaning

The hopper (A), hopper lid (B), feeding bowl (G) and feeding mechanism (E) are made from food-safe materials that may be washed in a dishwasher. Clean the base unit using a cloth dampened with water only.

- 14.1 Remove the feeding bowl from the base unit by holding in the sprung clips on either side and pulling the bowl away from the unit (Fig. 9).
- 14.2 Remove the feeding mechanism by releasing the retaining clip (Fig. 10).

### 15. Troubleshooting

#### 15.1 Feeder Blockage

Your feeder has been extensively tested with a variety of dry foods but in the unlikely event that the feeder becomes jammed, the base unit is programmed with an automatic clearing function. If however the feeder is unable to clear the blockage, the whole LCD screen will flash. The blockage will need to be cleared manually, as follows:

- Lift the hopper out of the base unit.
- Rotate feeding mechanism by hand as shown in Fig. 11 until food is moving freely again.

*NOTE: Before reassembling the feeder, we recommend the batteries are replaced (see section 12). Also consider the use of a different feed that may be less prone to blockage.*

- Reassemble the feeder and press the 'TIME' button to stop the display flashing and resume normal operation.

#### 15.2 Display non-responsive

In the unlikely event that the display becomes non-responsive, wait 3 minutes before attempting to press any buttons. If full function is not returned remove batteries for 5 minutes. Then replace batteries and re-programme feeder.

## D WICHTIGE SICHERHEITSANWEISUNGEN

- Bitte lesen Sie vor dem Einbau oder der Verwendung dieses Produkts sämtliche Anweisungen.
- Registrieren Sie Ihr Produkt online unter [www.pet-mate.com](http://www.pet-mate.com) (siehe Garantie).
- Lassen Sie keine Kinder mit diesem Produkt spielen.
- Prüfen Sie das Produkt regelmäßig auf ordnungsgemäßen Betrieb und mögliche Anzeichen von Beschädigung. Im Zweifelsfall soll es nicht verwendet werden.
- Dieses Produkt ist nur geeignet zur Verwendung mit Haustieren und nur wie in der vorliegenden Bedienungsanleitung beschrieben.
- Entsorgen Sie alle Verpackungsmaterialien ordnungsgemäß.

*HINWEIS: Plastikbeutel können Erstickungsgefahren verursachen und müssen außer Reichweite von Kindern und Tieren gehalten werden.*

## BITTE DIESE ANWEISUNGEN AUFBEWAHREN

### 1. Einführung

Vielen Dank dafür, dass Sie sich für den Kauf dieses Cat Mate Trockenfutter-Automaten für Haustiere entschieden haben.

Mit dem Futterautomaten können Sie bis zu 3 Futterverabreichungen in einem Zeitraum von 24 Stunden programmieren, wobei jede Portion in unterschiedlicher Menge ausgegeben werden kann. Außerdem können damit auch Futterverabreichungen vor ihren programmierten Uhrzeiten erfolgen, und es können auf Wunsch auch zusätzliche Portionen verabreicht werden. Für Haustiere mit spezifischen Diätanforderungen (z. B. für diabetische Haustiere) steht auch eine Option für häufige Fütterverabreichung zur Verfügung, wobei eine programmierte Fütterung über einen längeren Zeitraum ausgedehnt wird.

Damit die von Ihnen gewählten Einstellungen nicht von Unbefugten leicht verstellt werden können, sind die Einstellknöpfe so konstruiert, dass sie fest gedrückt werden müssen.

Wenn Sie den Einrichtungsprozess starten, diesen aber vor seiner Fertigstellung abbrechen, schaltet das Betriebssystem sich nach 60 Sekunden ab, woraufhin die aktuelle Uhrzeit angezeigt wird.

Ihr Futterautomat ist aus erstklassigen Werkstoffen hergestellt und wird unter Beachtung der strengsten Qualitätsanforderungen zusammengebaut. Es empfiehlt sich jedoch, vor dem unbeaufsichtigten Gebrauch die korrekte Funktionsfähigkeit über einen Zeitraum von 3 Tagen zu überwachen.

Es ist ganz normal, dass der Futterautomat bei der Futterabgabe ein Geräusch abgibt. Schüchtere Tiere können anfänglich durch das dabei entstehende Geräusch ein wenig erschreckt werden, doch gewöhnen sie sich schnell daran, dieses Geräusch mit ihrer Fütterzeit in Verbindung zu bringen.

Der Futterautomat ist zur Verwendung mit Trockenfutter (jedoch nicht mit feuchtem Futter) mit einer maximalen Pelletgröße von 16mm bestimmt.

Wenn Sie Ihr Haustier allein lassen, sollten Sie auch auf entsprechende Vorkehrungen zu seiner Versorgung mit Wasser und für den Stuhlgang bzw. das Urinieren nicht vergessen. Haustiere, ganz besonders junge Welpen und Kätzchen, sollen nicht zu lange allein gelassen werden, wobei in entsprechenden Zeitabständen Nachschau gehalten werden soll.

- Brauchen Sie Hilfe? Auf YouTube oder unter [www.pet-mate.com](http://www.pet-mate.com) steht Ihnen eine Video-Anleitung zur Einstellung des Futterautomaten zur Verfügung.



### 2. Zusammensetzen des Futterautomaten

2.1 Zum Abnehmen des Futterbehälterdeckels drücken Sie auf den Deckel (Pfeil 1, Abb. 1) und heben dann die Haltetaschen an beiden Seiten an (Pfeil 2, Abb. 1). Entfernen Sie den Futternapf, den Futterausgabestutzen und den Futterförderer.

2.2 **Erstes**, führen Sie den Futterausgabestutzen in die vordere Öffnung unten am Futterbehälter ein (Abb. 1), bis dieser **einklinkt**.

2.3 Führen Sie den Futterförderer in die hintere Öffnung unten am Futterbehälter ein, wobei Sie den Metallarm zwischen Daumen und Zeigefinger halten (siehe Abb. 4). Richten Sie das hakenförmige Ende des Futterförderers (E) mit der Kerbe (I) im Drehelement des Futterausgabestutzens (Abb. 5) aus, bevor Sie den Futterförderer voll in den Futterbehälter schieben, bis der Halteklipp **einklinkt**. Setzen Sie den nun fertig zusammengestellten Futterbehälter auf das Grundgerät auf.

2.4 Befestigen Sie den Futternapf, indem Sie den hinten daran befindlichen Anschlusszapfen am Grundgerät ausrichten und die Klippen an beiden Seiten des Napfes einführen, bis sie einrasten (Abb. 3).

### 3. Einlegen der Batterien

- 3.1 Nehmen Sie den Futterbehälter vom Grundgerät ab.
- 3.2 Drehen Sie das Grundgerät um und entfernen Sie den Batteriedeckel, indem sie den Halteclip öffnen.
- 3.3 Legen Sie 4 Alkali-Mangan-Batterien guter Qualität vom Typ C ein, wobei unbedingt die Richtungssymbole unten im Batteriefach zu beachten sind. Setzen Sie den Batteriedeckel wieder auf. Qualitativ hochwertige Alkaline-Batterien halten im Normalbetrieb ungefähr 12 Monate (abhängig vom Gebrauch). Es können alle bekannten Arten von Batterien, auch wiederaufladbare Batterien und 1.5 V Lithium Batterien, verwendet werden. Allerdings sollte beachtet werden, dass der Niedrig-Batterie-Anzeiger nur bei der Verwendung von Standard Alkaline-Batterien einwandfrei funktioniert.

### 4. Einstellung der Uhr

- 4.1 Drücken Sie auf die Taste „TIME“ (Abb. 2) und halten Sie diese 5 Sekunden lang gedrückt, bis die Ziffern zur Einstellung der Stunden auf der Uhr zu blinken beginnt.
- 4.2 Zum Einstellen der gewünschten Stundenanzeige drücken Sie auf die Taste „+“ oder „-“. Zum schnellen Scrollen halten Sie die Taste „+“ oder „-“ länger als 3 Sekunden gedrückt.
- 4.3 Drücken Sie auf die Taste „TIME“, woraufhin die Minutenziffern zu blinken beginnen. Zum Einstellen der gewünschten Minutenanzeige drücken Sie auf die Taste „+“ oder „-“.
- 4.4 Drücken Sie auf die Taste „TIME“, womit Ihre Einstellung gespeichert wird.

4.5 Um die Uhrzeitangabe zwischen dem 12-Stunden-Format (AM/PM) und dem 24-Stunden-Format umzustellen, drücken Sie auf die Taste „TIME“ und halten Sie diese gedrückt, wobei Sie dann innerhalb 3 Sekunden die Taste „+“ drücken.

Warten Sie 60 Sekunden, bis das Display zu blinken aufhört und die Uhrzeit fixiert ist, bevor Sie zum nächsten Schritt weitergehen.

#### 5. Festsetzen der Fütterungszeiten (bei Verwendung der Option zur häufigen Fütterung nicht erforderlich - in diesem Fall gehen Sie zu Abschnitt 10 weiter)

5.1 Drücken Sie auf die Taste „TIME“ und halten Sie diese 5 Sekunden lang gedrückt, bis die Ziffern zur Einstellung der Stunden auf der Uhr zu blinken beginnt.

5.2 Drücken Sie zwei Mal auf die Taste „TIME“, woraufhin die Ziffern zur Einstellung der Stunden und die Anzeige „MEAL 1“ zu blinken beginnen.

5.3 Stellen Sie die Fütterungszeit auf gleiche Weise wie die Uhrzeit ein, nämlich durch Drücken auf die Tasten „+“ oder „-“ zum Festsetzen der Ziffern für die Stunden. Durch erneutes Drücken der Taste „TIME“ stellen Sie dann die Minuten ein.

5.4 Wenn die gewünschte Fütterungszeit angezeigt ist, drücken Sie auf die Taste „TIME“. Zum Festsetzen von „MEAL 2“ und „MEAL 3“ wiederholen Sie nun Schritt 5.3.

*HINWEIS: Bei nur einer Fütterung (oder zwei Fütterungen) pro Tag sind die Einstellungen für „MEAL 2“ [Fütterung 2] (bzw. „MEAL 3“) nicht relevant.*

5.5 Nachdem Sie alle Fütterungszeiten programmiert haben, speichern Sie Ihre Einstellungen durch wiederholtes Drücken auf die Taste „TIME“, bis das Uhrensymbol wieder angezeigt wird.

#### 6. Bestimmung von Portionengrößen

**Es geschieht immer wieder, dass Haustiere überfüttert werden, was sowohl unnötige Kosten verursacht wie auch der Gesundheit Ihres Haustiers schadet. Es wird nachdrücklich empfohlen, dass Sie die Angaben auf der verwendeten Trockenfutterpackung über die täglich benötigten Futtermengen sorgfältig beachten, da dies für die Erhaltung der Gesundheit Ihres Haustiers sehr wichtig ist.** Als Richtschnur kann gelten, dass eine aus 3 Futtereinheiten bestehende Portionengröße ca. 30g wiegt bzw. ein Volumen von 30ml aufweist, was jedoch von der Art des verwendeten Futters abhängt.

Die Portionengrößen für jede programmierte Fütterung setzen Sie folgendermaßen fest:

6.1 Drücken Sie auf die Taste „FEED“ und halten Sie diese 5 Sekunden gedrückt. Es beginnt dann der Buchstabe „F“ neben den zwei Nullen („00“) im Display zu blinken. Drücken Sie nun auf die Tasten „+“ oder „-“, um damit die Zahl der Futtereinheiten für diese Fütterung festzusetzen.

6.2 Drücken Sie erneut auf die Taste „FEED“, um damit die Portionengrößen für „MEAL 2“ (und „MEAL 3“) festzusetzen.

*HINWEIS: Beim Programmieren der Futtereinheiten auf der Basis der zwei Nullen („00“) geht die Automatik davon aus, dass zu diesem Zeitpunkt die Futtereinheiten ausgeschaltet sind. Die Fütterungen werden deshalb bei der Beendigung dieses Vorgangs nicht angezeigt.*

6.3 Nachdem Sie alle Portionengrößen programmiert haben, speichern Sie Ihre Einstellungen durch Drücken auf die Taste „FEED“.

Sobald Ihre Einstellungen gespeichert sind, erscheint das Uhrensymbol, und die programmierten Fütterungen werden unter den betreffenden Futternapfsymbolen angezeigt (Abb. 2). Die Anzeige für die nächstfällige Fütterung blinkt.

#### 7. Befüllen des Futterbehälters / Futterförderers

7.1 Füllen Sie zunächst den Futterbehälter mit so viel Trockenfutter, dass damit der Tagesbedarf um Einiges überschritten wird. Damit das Futter frisch und appetitanregend bleibt, empfiehlt es sich, maximal eine Futtermenge für 21 Tage einzufüllen.

7.2 Beschriften Sie den Futterförderer mit Futter, indem Sie die Taste „FEED“ drücken und sie gedrückt halten, wobei Sie innerhalb 3 Sekunden die Taste + drücken und gedrückt halten, bis im Display „10“ erscheint. Wenn die Futterabgabe stoppt, drücken Sie auf die Taste „TIME“, um die Uhr wieder anzuzeigen. Füllen Sie nun das Futter wieder im Futterbehälter ein.

#### 8. Zusätzliche Fütterung (zusätzlich zu eingestellten Fütterungen)

Wenn Sie zu einer beliebigen Zeit Ihrem Haustier zusätzliche Futtereinheiten verabreichen möchten, dann drücken Sie gleichzeitig auf die Tasten „FEED“ und „+“. Der Futterautomat gibt daraufhin eine Futtereinheit aus. Um auf diese Weise mehrere Futtereinheiten auszugeben, halten Sie beide Tasten gedrückt, woraufhin im LCD-Display die Gesamtzahl der ausgegebenen Futtereinheiten angezeigt wird. Sobald Sie nun beide Tasten loslassen, wird die Ausgabe bis zur vollständigen Dosierung der zu diesem Zeitpunkt ausgegebenen Futtereinheit ausgeführt. Die Zahl der ausgegebenen Futtereinheiten wird nun 60 Sekunden lang angezeigt.

#### 9. Vorgezogene Fütterung (vorzeitige Ausgabe der nächsten eingestellten Fütterung)

Wenn Sie eine programmierte Fütterung vorzeitig ausführen möchten, dann drücken Sie gleichzeitig auf die Tasten „FEED“ und „-“. Der Futterautomat gibt daraufhin die nächste programmierte Portion aus, und Sie können nun beide Tasten wieder los lassen. Nachdem die eingestellte Fütterung (z. B. „MEAL 2“) vorzeitig vorgenommen wurde, beginnt die nächste programmierte Fütterungsanzeige (also „MEAL 3“) zu blinken. Die nächste Portion wird dann zur nächsten eingestellten Fütterungszeit ausgegeben werden.

Sie können nur für denselben Tag programmierte Fütterungen vorzeitig ausführen.

#### 10. Häufige Fütterung (Ausgabe kleiner Portionen zu regelmäßigen Intervallen)

Die Funktion für häufige Fütterung ermöglicht die Ausgabe der täglichen Futtermenge im Verlauf eines Tages. Dabei wird zwischen einer programmierten Start- und Endzeit zu regelmäßigen Intervallen jeweils eine einzige Futtereinheit ausgegeben. Diese Funktion ist besonders für Haustiere mit spezifischen Diätanforderungen (z. B. diabetische Katzen) konzipiert, oder wenn Sie die zeitliche Abfolge der Futteraufnahme Ihres Haustieres steuern möchten.

Die Start- und Endzeiten und die Futtereinheiten programmieren Sie folgendermaßen:

10.1 Drücken Sie gleichzeitig auf die Tasten „TIME“ und „FEED“, und halten Sie diese 5 Sekunden lang gedrückt, bis die Anzeige für die häufige Fütterung („F“) im LCD-Display erscheint (Abb. 2).

10.2 Drücken Sie auf die Taste „TIME“ und halten Sie diese 5 Sekunden lang gedrückt, bis die Ziffern zur Einstellung der Stunden auf der Uhr zu blinken beginnen.

10.3 Drücken Sie zwei Mal auf die Taste „TIME“, woraufhin die Ziffern zur Einstellung der Stunden und die Startzeit für „MEAL 1“ zu blinken beginnen.

10.4 Stellen Sie die Startzeit auf die gleiche Weise wie die Uhrzeit ein, nämlich durch Drücken auf die Tasten „+“ oder „-“ zum Festsetzen der Ziffern für die Stunden. Durch erneutes Drücken der Taste „TIME“ stellen Sie dann die Minuten ein.

10.5 Drücken Sie auf die Taste „TIME“. Die Endzeit-Anzeige für „MEAL 3“ beginnt nun zu blinken. Zum Einstellen der Endzeit wiederholen Sie nun Schritt 10.4.

10.6 Nun drücken Sie auf die Taste „TIME“. Es beginnt dann der Buchstabe „F“ neben den zwei Nullen („00“) im Display zu blinken. Drücken Sie nun auf die Tasten „+“ oder „-“, um damit die Gesamtzahl der täglichen Futtereinheiten festzusetzen. (6 Futtereinheiten wiegt ca. 60g bzw. weist ein Volumen von 60ml auf, was jedoch von der Art des verwendeten Futters abhängt.)

10.7 Drücken Sie auf die Taste „TIME“, womit diese Einstellungen gespeichert werden.

Im LCD-Display erscheint nun wieder das Uhrensymbol, wobei auch „F“ für häufige Fütterung, „MEAL 1“ und „MEAL 3“ angezeigt werden.

**Zur Überprüfung drücken Sie ein Mal** auf die Taste „TIME“ zur Anzeige der Startzeit und noch ein Mal zur Anzeige der Endzeit. Zur Anzeige der Futtereinheiten drücken Sie erneut, und dann noch ein weiteres Mal, um zur Uhr zurückzukehren.

**Um den Futterautomaten wieder auf den Standardbetrieb zurückzusetzen**, drücken Sie gleichzeitig auf die Tasten „TIME“ und „FEED“ und halten diese 5 Sekunden lang gedrückt. Die Anzeige für „F“ für häufige Fütterung verschwindet dann. Es wird nun das Uhrensymbol zusammen mit den Fütterungsanzeigen von früher programmierten und gespeicherten Einstellungen angezeigt.

#### 11 Abschalten des Futterautomaten

Zum Abschalten des Futterautomaten unter Beibehaltung der programmierten Einstellungen:

11.1 Drücken Sie gleichzeitig auf die Tasten „+“ und „-“, und halten Sie diese 5 Sekunden lang gedrückt, bis die Anzeige „OFF“ (AUS) im LCD-Display erscheint.

Zum Wiedereinschalten des Futterautomaten:

11.2 Drücken Sie gleichzeitig auf die Tasten „+“ und „-“, und halten Sie diese 5 Sekunden lang gedrückt, bis das Uhrensymbol und die Anzeige für die eingestellten Fütterungen im LCD-Display erscheinen.

#### 12. Auswechseln der Batterien

Wenn die Anzeige für niedrigen Batterieladezustand (Abb. 2.) im LCD-Display blinkt, müssen die Batterien ausgetauscht werden.

#### WICHTIG:

• **Damit die eingestellte Uhrzeit und alle Fütterungszeiten beibehalten werden, müssen alle Batterien innerhalb eines Zeitraums von 60 Sekunden ausgetauscht werden! Die Anzeige für niedrigen Batterieladezustand verschwindet, wenn die nächste Futterportion ausgegeben wird.**

• **Drücken Sie während des Herausnehmens und des Einlegens neuer Batterien auf KEINERLEI Tasten. Damit würde nämlich der Futterautomat zurückgesetzt werden, wodurch dann alle Einstellungen neuerlich programmiert werden müssten.**

#### 13. Befestigung des Futterautomaten auf einem Brett

Wenn Ihr Haustier/Ihre Haustiere eventuell die Position des Futterautomaten zu verschieben bzw. diesen umzuwerfen versuchen könnten, empfiehlt es sich, das Gerät auf einem Holzbrett von entsprechender Größe festzuschrauben. Wenn Sie der beschriebenen Vorgangsweise folgen, kann der Futterautomat bei Bedarf auch ohne Verwendung von Werkzeugen vom Brett abgenommen werden:

13.1 Platzieren Sie das Grundgerät in der gewünschten Position auf dem Brett. Markieren Sie den Umriss mit einem Bleistift auf dem Brett.

13.2 Ziehen Sie eine Mittellinie durch den Umriss und markieren Sie die Position für die Halteschraube, wie in Abb. 6 gezeigt.

13.3 Schrauben Sie eine Schraube passender Größe (Abb. 7) in das Brett, wobei zwischen dem Brett und dem unteren Rand des Schraubenkopfes ein Abstand von 25 mm belassen wird. Damit kann dann der Futterautomat zum Austauschen der Batterien und zur Reinigung problemlos abgenommen werden.

13.4 Bringen Sie das Grundgerät zur Schraube heran und schieben Sie es in die Befestigungsposition (Abb. 8).

13.5 Richten Sie das Grundgerät nach der eingezeichneten Umrisslinie aus, und markieren Sie die vorderen Schraubenpositionen am engsten Ende der Schraubenlöcher (H) (Abb. 1).

13.6 Nehmen Sie das Grundgerät wieder vom Brett ab. Schrauben Sie zwei weitere Schrauben (siehe 13.3) ein, und bringen Sie das Grundgerät wieder auf dem Brett an (siehe 13.4). Falls erforderlich, können diese zwei Schrauben zur besseren Befestigung stärker angezogen werden.

#### 14. Reinigung

Der Futterbehälterdeckel (A), der Futterbehälter (B), der Futternapf (G) und der Futterförderer (E) sind aus lebensmittelechten Werkstoffen hergestellt und können in einer Geschirrspülmaschine gewaschen werden. Reinigen Sie das Grundgerät nur mit einem mit Wasser befeuchteten Tuch.

14.1 Nehmen Sie den Futternapf vom Grundgerät ab, indem Sie die Klipps an beiden Seiten eingedrückt halten und den Futternapf vom Grundgerät abziehen (Abb. 9).

14.2 Entfernen Sie den Futterförderer durch Lösen des Halteklipps (Abb. 10).

#### 15. Fehlersuche

15.1 Bei Verstopfung des Futterautomaten

Ihr Futterautomat wurde mit verschiedenen Arten von Trockenfutter eingehend getestet. Im unwahrscheinlichen Fall, dass dennoch im Futterautomat eine Verstopfung eintreten sollte, ist das Grundgerät so programmiert, dass eine automatische Entstopfungsfunktion ausgelöst wird. Wenn jedoch mit dieser Funktion die Verstopfung nicht behoben werden sollte, beginnt das gesamte LCD-Display zu blinken. In diesem Fall muss dann die Verstopfung manuell beseitigt werden, und zwar wie folgt:

- Nehmen Sie den Futterbehälter vom Grundgerät ab.
- Drehen Sie den Futterförderer mit der Hand, wie in Abb. 11 gezeigt, bis das Futter wieder ungehindert durchgehen kann.

*HINWEIS: Bevor der Futterautomat wieder zusammengestellt wird, empfiehlt es sich, die Batterien auszutauschen (siehe Abschnitt 12). Außerdem sollte in diesem Fall die Verwendung eines anderen Futters erwogen werden, das weniger für Verstopfen anfällig ist.*

- Stellen Sie den Futterautomaten erneut zusammen und drücken Sie auf die Taste „TIME“, um damit das Blinken des Displays abzustellen und den normalen Betrieb des Geräts wieder aufzunehmen.

15.2 Bei Nicht-Ansprechen des Displays

Im unwahrscheinlichen Fall, dass das Display nicht ansprechen sollte, warten Sie 3 Minuten, bevor Sie erneut wieder auf irgendeine Taste drücken. Wenn damit die volle Funktion nicht wiederhergestellt werden sollte, nehmen Sie die Batterien 5 Minuten lang heraus. Dann setzen Sie die Batterien wieder ein und programmieren den Futterautomaten erneut.

## **F** **IMPORTANT CONSIGNES DE SECURITE**

- Veuillez lire attentivement toutes les instructions avant d'installer ou d'utiliser ce produit.
- Enregistrez votre achat en ligne à l'adresse [www.pet-mate.com](http://www.pet-mate.com) (voir la garantie).
- Ne laissez pas les enfants jouer avec ce produit.
- Inspectez régulièrement le produit pour vous qu'il fonctionne correctement et qu'il n'est pas endommagé. Ne l'utilisez pas en cas de doute.
- Ce produit est conçu pour être uniquement utilisé avec les animaux de compagnie, comme décrit dans ces instructions.
- Éliminez tous les matériaux d'emballage dans le respect des lois environnementales.

**REMARQUE :** les sacs en plastique peuvent provoquer la suffocation - tenez-les à l'écart des enfants et des animaux.

## **CONSERVEZ CES INSTRUCTIONS**

### **1. Introduction**

Nous vous remercions d'avoir choisi notre distributeur automatique d'aliments secs Cat Mate.

Ce nourrisseur vous permet de programmer jusqu'à 3 repas sur une période de 24 heures, avec la possibilité de faire varier la taille de chaque repas au besoin. Le nourrisseur vous permet également de servir les repas avant l'heure programmée, ainsi que de servir des repas supplémentaires à la demande. Pour les animaux ayant des exigences alimentaires spécifiques (par exemple des animaux diabétiques), une option « alimentation fréquente » vous permet de répartir un repas programmé sur une période plus longue.

Afin d'éviter que vos réglages ne soient facilement modifiés, nous avons conçu les touches de commandes de sorte qu'elles nécessitent une pression ferme pour fonctionner.

Si vous démarrez le processus de configuration et l'abandonnez avant la fin, le système d'exploitation reviendra à l'heure courante après 60 secondes.

Votre nourrisseur est fabriqué avec des matériaux de qualité supérieure et l'assemblage est en conformité avec les normes de qualité les plus rigoureuses. Toutefois, nous vous recommandons, avant toute utilisation non surveillée, de superviser son fonctionnement correct pendant une période d'au moins 3 jours.

Il est normal que ce nourrisseur fasse du bruit lorsqu'il distribue les repas. Au début, le bruit pourra décourager les animaux de compagnie timides, mais ils apprendront vite à associer ce bruit à l'heure des repas.

Le nourrisseur est conçu pour être utilisé avec des aliments secs (non humides), granulés de taille maximale 16mm.

**Quand vous laissez votre animal de compagnie seul, veillez à lui laisser suffisamment d'eau et de matériau de litière. Ne pas laisser les animaux de compagnie,**

**notamment les chiots et les chats, seuls pendant de longues périodes sans que quelqu'un vienne vérifier régulièrement que tout va bien.**

- **Besoin d'aide ? Un guide vidéo pour vous aider à régler votre nourrisseur est disponible sur YouTube ou [www.pet-mate.com](http://www.pet-mate.com)**



### **2. Assemblage du nourrisseur animalier**

- 2.1 Retirez le couvercle de la trémie en appuyant sur le couvercle (flèche 1, fig. 1), puis en soulevant les languettes de verrouillage des deux côtés (flèche 2, fig. 1). Retirez le bol d'alimentation, la buse de distribution et le mécanisme de distribution.
- 2.2 Poussez **tout d'abord** la buse (C) sur l'ouverture avant à la base de la trémie (fig. 1) jusqu'à ce qu'elle **clique** en position.
- 2.3 Insérez le mécanisme d'alimentation dans l'ouverture arrière à la base de la trémie, en maintenant le bras métallique entre le doigt et le pouce, comme illustré à la fig. 4. Aligner l'extrémité en crochet du mécanisme d'alimentation (E) avec le renforcement (I) dans l'élément tournant de la buse d'alimentation (Fig. 5) avant d'insérer complètement le mécanisme dans la trémie jusqu'à ce que le clip de fixation **clique** en position. Remontez la trémie sur l'unité de base.
- 2.4 Remontez le bol d'alimentation en positionnant l'onglet à l'arrière du bol dans l'unité de base et en cliquant en position les clips à ressort de chaque côté du bol (fig. 3).

### **3. Installation des piles**

- 3.1 Soulevez la trémie de l'unité de base.
- 3.2 Retournez la base et retirez le couvercle de la pile en relâchant le clip de retenue.
- 3.3 Insérez 4 piles alcalines de type C de bonne qualité en respectant les symboles de polarité marqués au fond du logement des piles. Remettez le couvercle de la pile en place. Les piles alcalines de bonne qualité devraient durer environ 12 mois (selon l'usage). Possibilité d'utiliser tout type de piles, qu'elles soient rechargeables ou au lithium de type 1.5v mais l'indicateur de batterie faible ne fonctionnera correctement qu'en cas d'utilisation de piles alcalines classiques.

### **4. Réglez l'horloge**

- 4.1 Maintenez le bouton « TIME » (fig. 2) enfoncé pendant 5 secondes jusqu'à ce que le chiffre des heures commence à clignoter.
- 4.2 Appuyez sur le bouton « + » ou « - » pour régler l'horloge sur l'heure correcte. Maintenez le bouton « + » ou « - » enfoncé pendant plus de 3 secondes pour faire défiler les chiffres.
- 4.3 Appuyez sur le bouton « TIME » et les chiffres des minutes clignoteront. Réglez les minutes en utilisant les boutons « + » ou « - ».
- 4.4 Appuyez sur la touche « TIME » pour sauvegarder le réglage.
- 4.5 Pour permuter entre le format 12 heures (AM/PM) et 24 heures, maintenez le bouton « TIME » enfoncé et appuyez sur le bouton « + » dans les 3 secondes.

Patiencez 60 secondes pour que l'affichage cesse de clignoter et que l'horloge soit réglée avant de passer à l'étape suivante.

**5. Réglage des heures des repas (non nécessaire pour l'option « Frequent Feeding » alimentation fréquente - passez directement à la section 10)**

- 5.1 Maintenez le bouton « TIME » enfoncé pendant 5 secondes jusqu'à ce que le chiffre des heures commence à clignoter.
  - 5.2 Appuyez deux fois sur le bouton « TIME » - le chiffre des heures et l'indicateur « MEAL 1 » clignoteront.
  - 5.3 Fixez l'heure du repas de la même manière que pour le réglage de l'horloge, en appuyant sur le « + » ou le « - » pour régler les heures, puis appuyez à nouveau sur le bouton « TIME » pour régler les minutes.
  - 5.4 Lorsque l'heure du repas désiré s'affiche, appuyez sur le bouton « TIME ». Répétez 5.3 pour régler « MEAL 2 » et « MEAL 3 ».
- REMARQUE : si seuls un ou deux repas par jour sont nécessaires, les boutons « MEAL 2 » (et « MEAL 3 ») ne sont pas utilisés.*
- 5.5 Une fois toutes les heures de repas programmées, enregistrez vos réglages en appuyant sur le bouton « TIME » jusqu'à ce que l'indicateur de l'horloge s'affiche.

### **6. Déterminer la taille des repas**

**Il n'est pas rare que les animaux soient trop nourris, ce qui s'avère à la fois coûteux et préjudiciable à leur santé. Nous vous recommandons vivement de vérifier les informations de dosage quotidien sur l'emballage de vos aliments secs, qui vous renseigneront sur la quantité nécessaire pour maintenir votre animal de compagnie en bonne santé.** A titre indicatif, la taille d'un repas de 3 unités est d'environ 30g ou 1/4 tasse en volume, selon le type d'aliment.

Définissez la taille de chaque repas programmé comme suit :

- 6.1 Maintenez le bouton « FEED » enfoncé pendant 5 secondes. La lettre « F » accompagnée de deux zéros (« 00 ») s'affichera et clignotera à l'écran. Appuyez sur les boutons « + » ou « - » pour définir le nombre d'unités d'alimentation pour cette configuration de repas.
  - 6.2 Appuyez à nouveau sur le bouton « FEED » pour définir la taille du repas pour « MEAL 2 » (et « MEAL 3 »).
- REMARQUE : la programmation des unités d'alimentation sur deux zéros (« 00 ») indique que l'unité d'alimentation est réglée sur « OFF » (ARRÊT) et l'indicateur de repas ne s'affichera pas à la fin de cette procédure.*

- 6.3 Une fois toutes les tailles de repas programmées, enregistrez vos réglages en appuyant sur le bouton « FEED ».

Une fois les réglages enregistrés, l'indicateur de l'horloge s'affichera et les indicateurs de repas programmés s'afficheront sous les icônes respectives du bol d'alimentation (fig. 2). L'indicateur qui représente l'heure du prochain repas clignotera.

### **7. Remplissage de la trémie / du mécanisme d'alimentation**

- 7.1 Remplissez la trémie avec une quantité appropriée de nourriture sèche bien au-delà d'un montant journalier. Pour conserver la fraîcheur et l'attractivité optimale des aliments, nous vous recommandons de ne pas charger plus de 21 jours de nourriture.

- 7.2 Remplissez le mécanisme d'alimentation en appuyant et maintenant enfoncé sur le bouton « FEED » et, dans les 3 secondes, maintenez le bouton « + » enfoncé jusqu'à ce que l'écran affiche « 10 ». Quand la distribution de nourriture s'arrête, appuyez sur la touche « TIME » pour afficher à nouveau l'horloge. Remettez dans la trémie la nourriture qui reste dans le bol.

### **8. Aliments supplémentaires (en complément d'un repas fixe)**

Si vous voulez servir à votre animal une dose additionnelle de nourriture à n'importe quel moment, appuyez en même temps sur les touches « FEED » et « + ». Le nourrisseur distribuera une unité de nourriture. Pour servir un nombre donné d'unités, maintenez les deux boutons enfoncés et l'écran affichera le nombre total d'unités distribuées. Relâchez les deux boutons et l'unité terminera son unité d'alimentation en cours. Le nombre d'unités distribuées restera affiché pendant 60 secondes.

### **9. Distribution avancée (servir le prochain repas plus tôt que prévu)**

Si vous souhaitez faire avancer un menu programmé, appuyez sur les touches « FEED » et « - » en même temps. Le nourrisseur distribuera le repas programmé suivant et vous pourrez relâcher les deux boutons. Une fois le repas (par exemple « MEAL 2 ») servi à l'avance, l'indicateur du prochain repas programmé (par exemple « MEAL 3 ») se mettra à clignoter sur l'écran, et la nourriture ne sera pas distribuée avant l'heure fixée.

Vous ne pouvez avancer que les repas programmés pour le jour même.

### **10. Alimentation fréquente (petites doses à intervalles réguliers)**

La fonction alimentation fréquente permet de répartir la nourriture sur l'ensemble de la journée, en distribuant une ration unique à intervalles réguliers entre des heures de commencement et de fin programmées. La fonction est conçue pour les animaux de compagnie ayant des besoins diététiques spécifiques (par exemple un chat diabétique), ou si vous souhaitez réguler la vitesse de consommation de nourriture par votre animal.

Les heures de début et de fin et les unités d'alimentation peuvent être programmées comme suit :

- 10.1 Maintenez les boutons « TIME » et « FEED » enfoncés simultanément pendant 5 secondes jusqu'à ce que l'indicateur d'alimentation fréquente (« F ») apparaisse sur l'écran (fig. 2).
- 10.2 Maintenez le bouton « TIME » enfoncé pendant 5 secondes jusqu'à ce que le chiffre des heures commence à clignoter.
- 10.3 Appuyez deux fois sur le bouton « TIME » - le chiffre des heures et l'indicateur « MEAL 1 » clignoteront.
- 10.4 Fixez l'heure de commencement de la même manière que pour le réglage de l'horloge, en appuyant sur le « + » ou le « - » pour régler les heures, puis en appuyant à nouveau sur le bouton « TIME » pour régler les minutes.
- 10.5 Appuyez sur le bouton « TIME ». L'indicateur « MEAL 3 » (heure de fin) clignotera. Répétez 10.4 pour régler l'heure de fin.

10.6 Appuyez sur le bouton « TIME », la lettre « F » accompagnée de deux zéros (« 00 ») s'affichera et clignotera à l'écran. Appuyez sur les boutons « + » ou « - » pour régler les unités d'alimentation quotidienne totales. (6 unités représentera environ 60g ou 1/2 tasse en volume, selon le type d'aliment.)

10.7 Appuyez sur le bouton « TIME » pour sauvegarder le réglage.

L'écran reviendra à l'affichage de l'horloge avec les indicateurs « Frequent Feed », « MEAL 1 » et « MEAL 3 » affichés.

**Pour vérifier.** appuyez sur la touche « TIME » une fois pour afficher l'heure de début et deux fois pour l'heure de fin. Appuyez à nouveau pour afficher les unités d'alimentation et appuyez une dernière fois pour revenir à l'horloge.

**Pour ramener le nourrisseur au mode de fonctionnement standard,** maintenez les boutons « TIME » et « FEED » enfoncés simultanément pendant 5 secondes. L'indicateur « Frequent Feed » disparaîtra et l'indicateur de l'horloge s'affichera avec les indicateurs de repas pour tous les réglages précédemment programmés.

## 11. Arrêt du nourrisseur

Pour désactiver le nourrisseur et conserver les réglages programmés :

11.1 Maintenez les boutons « + » et « - » enfoncés simultanément pendant 5 secondes jusqu'à ce que la mention « OFF » apparaisse sur l'écran.

Réactivation du nourrisseur :

11.2 Maintenez les boutons « + » et « - » enfoncés simultanément pendant 5 secondes jusqu'à ce que l'écran affiche les indicateurs de l'horloge et des repas programmés.

## 12. Changement des piles

Lorsque l'indicateur de pile faible (fig. 2) clignote à l'écran, cela signifie qu'il est temps de changer les piles.

### IMPORTANT:

• **Pour conserver les réglages de l'horloge et de tous les repas, vous devez remplacer toutes les piles en moins de 60 secondes ! L'indicateur de pile faible devrait disparaître lorsque le prochain repas sera servi.**

• **N'appuyez sur AUCUN bouton pendant le remplacement des piles. Cela aurait pour effet de réinitialiser l'appareil et vous auriez besoin de reprogrammer tous vos réglages.**

## 13. Fixation sécurisée du nourrisseur à une planche

Si votre(vos) animal(aux) est(sont) susceptible(s) d'interférer avec le nourrisseur, nous recommandons de visser ce dernier à une planche de bois de taille convenable. La méthode suivante permet de facilement retirer le nourrisseur de la planche sans outil en cas de besoin :

13.1 Placez l'unité de base dans la position désirée sur la planche. Tracez le contour avec un crayon.

13.2 Dessinez une ligne médiane sur le contour de l'unité de base et marquez la position de la vis comme indiqué à la fig. 6.

13.3 Sélectionnez une vis adéquate (fig. 7) et vissez-la dans la planche, en laissant une distance de 25 mm entre la planche et la base de la tête de la vis pour permettre le retrait du nourrisseur pour le nettoyage et le remplacement des piles.

13.4 Positionnez l'unité de base sur la vis et faites-la glisser en position fixée (fig. 8).

13.5 Alignez l'unité de base sur le contour dessiné et marquez les positions des vis de devant à l'extrémité la plus étroite des trous des vis (H) (fig. 1).

13.6 Retirez l'unité de base de la planche. Montez 2 vis supplémentaires (comme indiqué en 13.3) et remplacez la base en position fixée (voir 13.4). Si nécessaire, ces 2 vis peuvent être encore resserrées pour mieux sécuriser le dispositif d'alimentation.

## 14. Nettoyage

La trémie (A), son couvercle (B), le bol d'alimentation (G) et le mécanisme de distribution (E) sont fabriqués dans des matériaux de grade alimentaire et peuvent être lavés au lave-vaisselle. Nettoyez l'unité de base à l'aide d'un chiffon imbibé d'eau seulement.

14.1 Retirez le bol d'alimentation de l'unité de base par l'attrapant par les clips desserrés de chaque côté et en tirant le bol de l'appareil (fig. 9).

14.2 Retirez le mécanisme de distribution en libérant le clip de fixation (fig. 10).

## 15. Dépannage

15.1 Blocage du nourrisseur

Votre nourrisseur a été testé avec une variété d'aliments secs, mais dans le cas peu probable où il se coincerait, l'unité de base est programmée avec une fonction de déblocage automatique. Toutefois, si le nourrisseur est incapable de se décrocher, l'écran clignotera. Le blocage devra être éliminé manuellement, comme suit :

• Soulevez la trémie de l'unité de base.

• Faites pivoter le mécanisme de distribution à la main comme indiqué à la fig. 11 jusqu'à ce que la nourriture se déplace de nouveau librement.

*REMARQUE : avant de remonter le nourrisseur, nous vous recommandons de changer les piles (voir section 12). Envisagez également l'utilisation d'un autre type d'aliment, qui sera peut-être moins enclin à se coincer.*

• Remontez le nourrisseur et appuyez sur le bouton « TIME » pour arrêter le clignotement de l'affichage et reprendre un fonctionnement normal.

15.2 Aucune réponse de l'affichage

Dans le cas peu probable où l'écran ne répondrait plus, patientez 3 minutes avant d'essayer d'appuyer sur une touche. Si la fonction n'est pas rétablie, retirez les piles pendant 5 minutes. Puis, remplacez les piles et reprogrammez le nourrisseur.

## INSTRUCCIONES IMPORTANTES DE SEGURIDAD

• Lea todas las instrucciones antes de instalar o utilizar este producto.

• Registre su compra en línea en [www.pet-mate.com](http://www.pet-mate.com) (consulte la garantía).

• No permita jugar a los niños con este producto.

• Inspeccione el producto regularmente para observar que funciona correctamente y no hay daños. No lo utilice si tiene dudas.

• Este producto se ha diseñado para el uso con mascotas exclusivamente, como se describe en estas instrucciones.

• Elimine apropiadamente todo el material de embalaje.

*NOTA: Las bolsas de plástico pueden causar asfixia - manténgalas alejadas de los niños y los animales.*

## CONSERVE ESTAS INSTRUCCIONES

### 1. Introducción

Gracias por elegir este comedero Automático para Mascotas para Piensos Secos Cat Mate.

Este comedero le permite programar hasta 3 comidas durante un período de 24 horas, con la capacidad de variar la cantidad de cada comida según resulte oportuno. Asimismo, el comedero le permitirá servir comidas antes de las horas programadas y servir comidas adicionales a petición. Para mascotas con requisitos dietéticos específicos (p. ej. mascotas diabéticas), existe la opción de 'surtido frecuente' que dispensará una comida programada durante un período más largo de tiempo.

Para asegurar que los ajustes elegidos no puedan ser manipulados, los botones de control deberán pulsarse firmemente para operar.

Si comienza el proceso de configuración pero lo abandona antes de completarlo, el sistema operativo alcanzará su 'tiempo límite' después de 60 segundos y se visualizará la hora actual.

Su comedero ha sido fabricado con materiales de calidad superior y ha sido montado conforme a rigurosas normas de calidad. No obstante, le recomendamos que antes del uso sin supervisión, supervise el funcionamiento durante un período mínimo de 3 días.

Es normal que el comedero emita sonido al servir la comida. En un principio, el ruido podría asustar a las mascotas tímidas, pero éstas pronto aprenderán a asociar el ruido con la hora de la comida.

El comedero se ha diseñado para el uso con piensos secos (no comida húmeda) con un tamaño máximo de gránulo de 16mm.

**Al dejar sola a su mascota, asegúrese de haber tomado las medidas sanitarias necesarias, así como en lo relativo a suministro adecuado de agua. Las mascotas, en particular los perros y gatos pequeños, no deberán dejarse solos durante períodos largos sin comprobar periódicamente su bienestar.**

¿Necesita ayuda? Podrá ver un video guía sobre cómo configurar su comedero en YouTube o en [www.pet-mate.com](http://www.pet-mate.com)



### 2. Montaje del comedero de mascotas

2.1 Retire la tapa de la tolva presionando la tapa hacia abajo (Flecha 1, Fig. 1) y luego levantando las lengüetas de bloqueo situadas a ambos lados (Flecha 2, Fig. 1). Saque el bol comedero, la boquilla surtidora y el mecanismo de surtido.

2.2 **En primer lugar,** introduzca la boquilla (C) en la abertura delantera situada en la base de la tolva (Fig. 1) hasta que se asiente en posición con un clic.

2.3 Introduzca el mecanismo de surtido en la abertura posterior situada en la base de la tolva, sujetando el brazo de metal entre los dedos pulgar e índice, como se muestra en la Fig. 4. Alinee el extremo de gancho del mecanismo de surtido (E) con la ranura (I) en el elemento rotativo de la boquilla surtidora (Fig. 5) antes de introducir totalmente el mecanismo de surtido en la tolva, hasta que la clavija de sujeción se **encaje** en posición. Monte la tolva en la unidad base.

2.4 Instale el bol comedero colocando la lengüeta de la parte posterior del bol en la unidad base, y encajando en posición los clips de resorte situados a cada lado del bol (Fig. 3).

### 3. Instalación de las pilas

3.1 Saque la tolva de la unidad base.

3.2 Dé vuelta a la unidad base y retire la cubierta de pilas soltando el clip de sujeción.

3.3 Inserte 4 pilas alcalinas 'C' de buena calidad siguiendo los símbolos de orientación marcados en la parte inferior del compartimento de las pilas. Vuelva a colocar la cubierta de las pilas. Normalmente, las pilas alcalinas de buena calidad durarán unos 12 meses (dependiendo del uso). Puede utilizar pilas comunes, recargables y de litio 1.5v, pero el indicador de batería únicamente funcionará correctamente con pilas alcalinas standard.

### 4. Ajuste del reloj

4.1 Pulse y sujete el botón 'TIME' (Fig. 2) durante 5 segundos, hasta que la cifra de la hora del reloj comience a destellar.

4.2 Pulse los botones '+' o '-' para ajustar el reloj a la hora correcta. Mantenga pulsado el botón '+' o '-' durante más de 3 segundos para desplazarse rápidamente.

4.3 Pulse el botón 'TIME' y la cifra de los minutos destellará. Ajuste los minutos utilizando los botones '+' o '-'.

4.4 Pulse el botón 'TIME' para guardar el ajuste.

4.5 Para cambiar el reloj entre los formatos de 12 horas (mañana/tarde) y 24 horas, pulse y sujete el botón 'TIME', y en menos de 3 segundos, pulse el botón '+'.

Espere 60 segundos hasta que la pantalla deje de destellar y el reloj se estabilice antes de proceder al paso siguiente.

**5. Ajuste de las horas de comida (no requerido para la opción de Surtido Frecuente - ir a la sección 10)**

5.1 Pulse y sujete el botón 'TIME' durante 5 segundos, hasta que la cifra de la hora del reloj comience a destellar.

5.2 Pulse el botón 'TIME' dos veces - la cifra de la hora y el indicador 'MEAL 1' destellarán.

5.3 Ajuste la hora de comida de la misma forma que el reloj, pulsando los botones '+' o '-' para ajustar las horas; pulse el botón 'TIME' otra vez y ajuste los minutos.

5.4 Cuando se visualice la hora de comida deseada, pulse el botón 'TIME'. Repita 5.3 para configurar 'MEAL 2' y 'MEAL 3'.

*NOTA: Si solo se requiere una (o dos) comida(s) al día, el ajuste de 'MEAL 2' (y 'MEAL 3') no serán aplicables.*

5.5 Cuando haya programado todas las horas de comida, guarde los ajustes pulsando el botón 'TIME' repetidamente, hasta que se visualice el indicador del reloj.

## 6. Ajuste del tamaño de las comidas

**Muchas mascotas son alimentadas en exceso, lo cual es caro y perjudicial para la salud del animal. Recomendamos encarecidamente que compruebe la sección de la 'Guía de Alimentación Diaria' del paquete de su pienso seco, donde se ofrece información sobre la cantidad necesaria para mantener la salud de su mascota.** Como guía, una comida de 3 unidades de pienso será aproximadamente de 30g o 1/4 de taza en volumen, dependiendo del tipo de pienso.

Ajuste los tamaños de las comidas para cada hora de comida programada de la forma siguiente:

6.1 Pulse y sujete el botón 'FEED' durante 5 segundos. La letra 'F' junto a dos ceros ('00') aparecerá y destellará en la pantalla. Pulse los botones '+' o '-' para ajustar el número de unidades de surtido para este ajuste de comida.

6.2 Pulse el botón 'FEED' otra vez para ajustar los tamaños de comida para 'MEAL 2' (y 'MEAL 3').

*NOTA: La programación de las unidades de surtido a dos ceros ('00') denota que la unidad de surtido está ajustada a 'off' (apagado), y que el indicador de comida no se visualizará cuando se haya completado este procedimiento.*

6.3 Cuando haya programado todos los tamaños de comidas, guarde los ajustes pulsando el botón 'FEED'.

Cuando haya guardado los ajustes, aparecerá el indicador de reloj y se visualizarán los indicadores de comidas programadas bajo los iconos respectivos de boles comederos (Fig. 2). El indicador que representa la siguiente hora de comida pendiente destellará.

## 7. Llenado de la tolva / mecanismo de surtido

7.1 Llene la tolva con una cantidad adecuada de pienso seco que supere abundantemente la cantidad diaria. Para mantener todo lo posible la frescura/sabor del pienso, le recomendamos que cargue suministro para 21 días como máximo.

7.2 Llene el mecanismo de surtido pulsando y sujetando el botón 'FEED', y en menos de 3 segundos, pulsando y sujetando el botón '+' hasta que la pantalla muestre '10'. Al concluir la alimentación, pulse el botón 'TIME' para volver a visualizar el reloj. Devuelva el pienso del bol comedero a la tolva.

## 8. Surtido adicional (además de una comida programada)

Si desea servir unidades adicionales de pienso a su mascota en cualquier momento, pulse al mismo tiempo los botones 'FEED' y '+'. El comedero dispensará una unidad de pienso. Para servir varias unidades, mantenga pulsados ambos botones y la LCD mostrará el número total de unidades dispensadas. Suelte ambos botones y la unidad completará su unidad de surtido actual. El número de unidades dispensadas se visualizará durante 60 segundos.

## 9. Avance de surtido (sirve la siguiente comida programada anticipadamente)

Si desea adelantar una comida programada, pulse al mismo tiempo los botones 'FEED' y '-'. El comedero dispensará la siguiente comida programada pendiente; ahora podrá soltar ambos botones. Cuando se haya servido la comida adelantada (p. ej. MEAL 2), el indicador de la siguiente comida programada (p. ej. MEAL 3) destellará en la pantalla y no se volverá a dispensar pienso hasta esa hora.

Sólo se podrán adelantar comidas programadas para el mismo día.

## 10. Surtido frecuente (surtidos pequeños a intervalos regulares)

La función de Surtido frecuente permite servir la cantidad diaria requerida a lo largo del día, dispensando una sola unidad de pienso a intervalos regulares entre un tiempo programado de inicio y fin. Esta función se ha diseñado para mascotas con requisitos dietéticos específicos (p. ej. gatos diabéticos) o si desea regular la velocidad de consumo de comida de su mascota.

Las horas de inicio/fin y las unidades de surtido pueden programarse de la siguiente manera:

10.1 Pulse y sujete juntos los botones 'TIME' y 'FEED' durante 5 segundos, hasta que se visualice el indicador de surtido frecuente ('F') en la LCD (Fig. 2).

10.2 Pulse y sujete el botón 'TIME' durante 5 segundos, hasta que la cifra de la hora del reloj comience a destellar.

10.3 Pulse el botón 'TIME' dos veces - la cifra de la hora y el indicador 'MEAL 1' (hora de inicio) destellarán.

10.4 Ajuste la hora de inicio de la misma forma que el reloj, pulsando los botones '+' o '-' para ajustar las horas; pulse el botón 'TIME' otra vez para ajustar los minutos.

10.5 Pulse el botón 'TIME'. El indicador 'MEAL 3' (hora final) destellará. Repita 10.4 para ajustar la hora final.

10.6 Pulse el botón 'TIME', la letra 'F' junto a dos ceros ('00') aparecerá y destellará en la pantalla. Pulse el botón '+' o '-' para ajustar el total de unidades de surtido diarias. (6 unidades de pienso será aproximadamente de 60g o 1/2 taza en volumen, dependiendo del tipo de pienso.)

10.7 Pulse el botón 'TIME' para guardar estos ajustes.

La LCD volverá a mostrar el reloj, visualizando los indicadores de 'Surtido frecuente', 'MEAL 1' y 'MEAL 3'.

Para revisar, pulse el botón 'TIME' una vez para ver el tiempo de inicio y otra vez para el tiempo final. Pulse una vez más para ver las unidades de surtido, y pulse finalmente para volver al reloj.

Para devolver el comedero a su operación estándar, pulse y sujete juntos los botones 'TIME' y 'FEED' durante 5 segundos. El indicador de 'Surtido frecuente' desaparecerá y se visualizará el indicador de reloj junto con los indicadores de comidas que se hayan programado y guardado anteriormente.

## 11. Apagado del comedero

Para apagar el comedero y conservar los ajustes programados:

11.1 Pulse y sujete juntos los botones '+' y '-' durante 5 segundos, hasta que se visualice 'OFF' (APAGADO) en la LCD.

Para volver a encender el comedero:

11.2 Pulse y sujete juntos los botones '+' y '-' durante 5 segundos, hasta que la LCD muestre los indicadores de reloj y de las comidas programadas.

## 12. Cambio de las pilas

Cuando el indicador de pila baja (Fig. 2.) destelle en la LCD, las pilas necesitarán recambio.

### IMPORTANTE:

• **Para conservar los ajustes del reloj y de todas las comidas, ¡deberá quitar y cambiar todas las pilas en 60 segundos! El indicador de pila baja deberá desaparecer cuando se sirva la siguiente comida.**

• **NO pulse ningún botón mientras quita o cambia las pilas. Si lo hace, deberá reconfigurar la unidad y reprogramar sus ajustes.**

## 13. Fijación del comedero a una tabla

Si su mascota(s) pudiera interferir con el comedero, le recomendamos que lo atornille a una tabla de madera de tamaño apropiado. Aplicando el método siguiente, el comedero podrá desmontarse fácilmente de la tabla sin requerir herramientas:

13.1 Coloque la unidad base sobre la tabla en la posición deseada. Con un lapicero, trace a su alrededor.

13.2 Dibuje una línea central sobre el perfil de la unidad base y marque la posición de los tornillos como se muestra en la Fig. 6.

13.3 Seleccione un tornillo adecuado (Fig. 7) y atorníllelo a la tabla, dejando una distancia de 25mm entre la tabla y la base de la cabeza del tornillo para que el comedero pueda sacarse cuando necesite cambiar las pilas y limpiarlo.

13.4 Coloque la unidad base sobre el tornillo y deslícela a la posición de sujeción (Fig. 8).

13.5 Coloque la unidad base dentro del perfil trazado y marque las posiciones de los tornillos delanteros en el extremo más estrecho de los agujeros para tornillos (H) (Fig. 1).

13.6 Quite la unidad base de la tabla. Instale otros 2 tornillos (como se especifica en 13.3) y vuelva a colocar la unidad base en la tabla (como en 13.4). Si fuera necesario, estos 2 tornillos pueden atornillarse aún más para fijar mejor el comedero.

## 14. Limpieza

La tolva (A), la tapa de la tolva (B), el bol comedero (G) y el mecanismo de surtido (E) están fabricados con materiales seguros para los alimentos que pueden lavarse en un lavavajillas. Limpie la unidad base con un paño humedecido en agua solamente.

14.1 Saque el bol comedero de la unidad base apretando los clips hacia adentro a ambos lados y tirando del bol (Fig. 9).

14.2 Saque el mecanismo de surtido soltando el clip de sujeción (Fig. 10).

## 15. Resolución de problemas

15.1 Atasco en el comedero

Su comedero se ha comprobado exhaustivamente con diversos piensos secos, pero en el improbable caso de que el comedero se atasque, la unidad base está programada con una función automática de desbloqueo. Si el comedero no pudiera despejar el bloqueo, toda la pantalla LCD destellará. El bloqueo deberá despejarse manualmente, de la siguiente manera:

• Saque la tolva de la unidad base.

• Gire el mecanismo de surtido manualmente como se muestra en la Fig. 11, hasta que el pienso vuelva a moverse libremente.

*NOTA: Antes de volver a montar el comedero, le recomendamos que cambie las pilas (véase la sección 12). Considere también el uso de un pienso diferente que sea menos propenso a atascarse.*

• Vuelva a montar el comedero y pulse el botón 'TIME' para que la pantalla deje de destellar y continúe la operación normal.

15.2 La pantalla no responde

En el improbable caso de que la pantalla no responda, espere 3 minutos antes de intentar pulsar ninguno de los botones. Si no recuperase el funcionamiento normal, quite las pilas durante 5 minutos. Seguidamente, vuelva a colocar las pilas y re programe el comedero.



## BELANGRIJK! VEILIGHEIDSINSTRUCTIES

- Lees alle instructies voor of bij het gebruik van dit product.
- Registreer uw aankoop online bij [www.pet-mate.com](http://www.pet-mate.com) (zie garantie).
- Kinderen niet met dit product laten spelen.
- Inspecteer het product regelmatig op correcte werking en eventuele beschadiging. Bij twijfel niet gebruiken.
- Dit product is uitsluitend ontworpen voor gebruik met huisdieren, zoals beschreven in deze instructies.
- Verwijder al het verpakkingsmateriaal op de juiste wijze.

NB: Houd plastic zakken uit de buurt van kinderen en dieren om verstikkingsgevaar te vermijden.

## BEWAAR DEZE INSTRUCTIES

### 1. Inleiding

Dank u wel voor het kiezen van deze Cat Mate Automatisch Droogvoer Apparaat voor Huisdieren.

Met deze voerautomaat kunt u maximaal 3 maaltijden per 24 uur programmeren. U kunt elke portiegrootte naar wens variëren. Bovendien kunt u met de voerautomaat maaltijden niet alleen vóór hun geprogrammeerde tijd serveren en maar ook extra maaltijden naar behoefte. Voor huisdieren met specifieke dieetbehoeften (bijv. huisdieren met diabetes) is er een optie 'frequent voeren' die een geprogrammeerde maaltijd over een langere tijdsperiode zal doseren.

Het stevig indrukken van de regelknoppen voorkomt dat uw ingestelde tijden gemakkelijk verstoord kunnen worden.

Als u het instelproces begint en er voortijdig mee ophoudt, dan stopt het besturingssysteem na 60 seconden en ziet u de actuele tijd op de display.

De voerautomaat is gemaakt van hoogwaardig materiaal en is in overeenstemming met strenge kwaliteitsnormen gemonteerd. Wel adviseren wij u om voordat u het apparaat zonder toezicht gebruikt minstens 3 dagen controleert of het apparaat goed werkt.

Dit voerautomaat maakt bij het serveren van voer altijd geluid. Het geluid schrikkt timide huisdieren in het begin misschien af, maar ze zullen snel het verband leren tussen het geluid en voertijd.

De voerautomaat is ontworpen voor droog (niet vochtig) voedsel met een maximale korrelgrootte van 16mm.

**Als u uw huisdier alleen laat, zorg dan dat er voldoende water is en dat er mogelijkheden zijn om zijn behoefte te doen. Huisdieren, met name jonge honden en poesjes, mogen niet lang alleen worden gelaten zonder dat iemand van tijd tot tijd controleert of alles in orde is.**

• Hulp nodig? Op YouTube of [www.pet-mate.com](http://www.pet-mate.com) staat een video met een handleiding voor het opzetten van uw voerautomaat.



### 2. Montage van de voerautomaat voor huisdieren

- 2.1 Verwijder deksel van voedselbak door deksel in te drukken (pijl 1, afb. 1) en vervolgens de vergrendellipjes aan beide kanten op te tillen (pijl 2, afb. 1). Haal voerbak, voedingstuit en voermechanisme eruit.
- 2.2 Duw **eerst** de voedingstuit (C) in de voorste opening aan de onderkant van de voedselbak (afb. 1) totdat hij **vastklikt**.
- 2.3 Duw het voedingsmechanisme in de achterste opening aan de voet van de voedselbak en houdt daarbij de metalen arm tussen vinger en duim (zie afb. 4). Houd het eindstuk met haak van het voedingsmechanisme (E) ter hoogte van de uitsparing (I) in het roterende onderdeel van de voedingstuit (afb. 5) alvorens het voedingsmechanisme geheel in de voedingsbak te duwen totdat het klemmetje **vastklikt**. Plaats de gemonteerde voedselbak in het onderstuk.
- 2.4 Plaats de voerbak door het lipje aan de achterbak in het onderstuk te zetten en de veerklemmetjes aan beide kanten van de bak op hun plaats vast te klikken (afb. 3).

### 3. Het plaatsen van de batterijen

- 3.1 Til de voedselbak uit het onderstuk.
- 3.2 Draai het onderstel om en verwijder het batterijdeksel door de borgclip los te maken.
- 3.3 Vier hoogwaardige alkaline 'C' batterijen plaatsen volgens de plaatsingssymbolen onderin het batterijcompartiment. Het batterijdeksel terugplaatsen. Goede hoogwaardige alkaline Batterijen gaan ongeveer 12 maanden mee (afhankelijk van gebruik). U kunt batterijen van de bekende merken gebruiken inclusief oplaadbare en 1.5v lithium batterijen. De indicator die aangeeft wanneer de batterij bijna op is, werkt echter alleen wanneer u standaard alkaline batterijen gebruikt.

### 4. Instellen van de klok

- 4.1 'TIJD' knop (afb. 2) indrukken en 5 seconden ingedrukt houden totdat het uurscijfer op de klok begint te knipperen.
- 4.2 Druk op de '+' of '-' knop om het juiste uur op de klok in te stellen. Houd de '+', of '-' knop meer dan 3 seconden ingedrukt om door te scrollen.
- 4.3 Druk op de 'TIJD' knop en het minutencijfer zal knipperen. Stel de juiste minuten in met behulp van de '+' of '-' knop.
- 4.4 Op de 'TIJD' knop drukken om de instelling op te slaan.
- 4.5 De klok kan omgeschakeld worden van 12 uur- naar 24 uurformaat door de 'TIJD' knop in te drukken en ingedrukt te houden en binnen 3 seconden op de '+' knop te drukken.

Wacht 60 seconden totdat de display niet meer knippert en de klok is ingesteld alvorens naar de volgende stap te gaan.

### 5. Het instellen van de tijd voor elk maal (Niet nodig bij de optie Frequent Voeren - ga naar paragraaf 10)

- 5.1 De 'TIJD' knop indrukken en 5 seconden ingedrukt houden totdat het uurscijfer op de klok begint te knipperen.
- 5.2 Druk tweemaal op de 'TIJD' knop - het uurscijfer en het indicatielampje 'MAAL' 1' beginnen te knipperen.
- 5.3 Stel de tijd van het maal op dezelfde manier als de klok in; druk op knop '+' of '-' om de uren bij te stellen, druk nogmaals op de 'TIJD' knop en stel de minuten bij.
- 5.4 Als de gewenste tijd van het maal verschijnt, op de 'TIJD' knop drukken. Herhaal 5.3 om 'MAAL 2' en 'MAAL 3' in te stellen.  
*NB: Als er slechts één (of twee) maaltijden per dag nodig zijn, zijn de instellingen voor 'MAAL 2' (en 'MAAL 3') niet van toepassing.*
- 5.5 Sla uw instellingen op zodra de maaltijden geprogrammeerd zijn en druk herhaaldelijk op de 'TIJD' knop totdat het indicatielampje brandt.

### 6. Het bepalen van het maaltijdvolume

**Veel huisdieren krijgen te veel voer wat niet alleen duur is maar ook nadelig voor de gezondheid van uw huisdier. Wij raden u ten sterkste aan de 'dagelijkse voedingsrichtlijn' op de verpakking van uw droogvoer goed te lezen met informatie over de gewenste hoeveelheid voor het behoud van een goede gezondheid van uw huisdier.** Als regel geldt dat een maaltijd van 3 voercyclussen een volume van ongeveer 30g heeft, afhankelijk van het voedseltype.

Het maaltijdvolume voor elke geprogrammeerde maaltijd stelt u als volgt in:

- 6.1 Druk op de 'VOER' knop en houd 5 seconden ingedrukt. De letter 'F' verschijnt naast de twee nullen ('00') en knippert op de display. Druk op de '+' of '-' knop om het aantal voercyclussen voor deze maaltijdstelling in te stellen.
- 6.2 Druk nog eens op de 'VOER' knop om het maaltijdvolume voor 'MAAL 2' (en 'MAAL 3') in te stellen.  
*NB. Als men de voercyclussen programmeert met twee nullen ('00') betekent dit dat de voercyclus op 'uit' staat en dan zal het indicatielampje voor de maaltijd niet branden als deze procedure is voltooid.*
- 6.3 Als alle maaltijdvolumes geprogrammeerd zijn, slaat u uw instellingen op door op de 'VOER' knop te drukken.

Zodra de instellingen zijn opgeslagen, verschijnt het indicatielampje van de klok en de geprogrammeerde indicatielampjes voor de maaltijden verschijnen onder de respectievelijke voerbak icoontjes (afb. 2). Het indicatielampje dat de tijd van de volgende maaltijd aangeeft begint te knipperen.

### 7. Het vullen van voedselbak / voedingsmechanisme

- 7.1 Vul de voedselbak met een geschikte hoeveelheid droogvoer ruim boven de aanbevolen dagelijkse hoeveelheid. Om het voer zo fris/appetijtelijk mogelijk te houden, raden wij aan maximaal 21 dagen voer te laden.

- 7.2 Het voermechanisme vult u door de 'VOER' knop in te drukken en ingedrukt te houden en binnen 3 seconden op de '+' knop te drukken totdat de display '10' aangeeft. Als het voeren gestopt is, moet men de 'TIJD' knop indrukken om de klok weer in de display te zien. Leg het voer in de bak weer in de voedselbak.

### 8. Extra voer (naast een Ingestelde Maaltijd)

Als u op een willekeurig moment uw huisdier extra porties voer wilt geven, moeten de 'VOER' en '+' knop gelijktijdig ingedrukt worden. De voerknop doseert één voercyclus. Houd beide knoppen ingedrukt als u een aantal porties wilt voeren en op de LCD verschijnt het totale aantal gedoseerde porties. Laat beide knoppen los en het apparaat voltooid zijn voercyclus. Het aantal gedoseerde porties blijft 60 seconden zichtbaar.

### 9. Vervroegd voeren (de volgende Ingestelde Maaltijd wordt eerder gegeven)

Als u een geprogrammeerde ingestelde maaltijd eerder wilt geven, moeten de 'VOER' en '-' knop gelijktijdig ingedrukt worden. De voerautomaat doseert de volgende geprogrammeerde maaltijd en u mag nu beide knoppen loslaten. Nadat de vervroegde ingestelde maaltijd (bijv. MAAL 2) gegeven is, knippert het indicatielampje van de volgende geprogrammeerde maaltijd en voer wordt niet gedoseerd tot die ingestelde tijd.

U kunt uitsluitend maaltijden geprogrammeerd voor die dag vroeger geven.

### 10. Frequent Voeren (regelmatig kleine voerporties)

De optie Frequent Voeren maakt het mogelijk om de dagelijkse hoeveelheid voer verspreid over de dag te geven, waarbij wordt tussen een geprogrammeerde start- en eindtijd regelmatig één voedereenheid gegeven. De functie is bestemd voor huisdieren met specifieke dieetbehoeften (bijv. diabetes katten) of als u de opnamesnelheid van voer door uw huisdier wilt regelen.

De start/eindtijden en de voercyclussen kunnen als volgt worden geprogrammeerd:

- 10.1 De 'TIJD' en 'VOER' knoppen gelijktijdig indrukken en ingedrukt houden totdat het indicatielampje Frequent Voeren ('F') op de LCD verschijnt (afb. 2).
- 10.2 De 'TIJD' knop indrukken en 5 seconden ingedrukt houden totdat het uurscijfer op de klok begint te knipperen.
- 10.3 Druk tweemaal op de 'TIJD' knop - het uurscijfer en het indicatielampje 'MAAL' 1' (starttijd) beginnen te knipperen.
- 10.4 Stel de starttijd van het maal op dezelfde manier in als de klok; druk op de knoppen '+' of '-' om de uren bij te stellen, druk nogmaals op de 'TIJD' knop en stel de minuten bij.
- 10.5 Druk op de 'TIJD' knop. Het indicatielampje 'MAAL 3' (eindtijd) zal knipperen. Herhaal 10.4 om de eindtijd in te stellen.
- 10.6 Op de 'TIJD' knop drukken en de letter 'V' verschijnt naast de twee nullen ('00') en knippert op de display. Druk op de '+' of '-' knop om het totale dagelijkse voercyclussen in te stellen. (6 voercyclussen heeft ongeveer een volume van 60g, afhankelijk van het voedseltype.)

10.7 Druk op de 'TIJD' knop om deze instellingen op te slaan.

De klok verschijnt weer op de LCD met de indicatielampjes 'Frequent Voeren', 'MAAL 1' en 'MAAL 3'.

**Als u de start/eindtijden wilt bekijken**, de 'TIJD' knop indrukken om de starttijd te zien en nog een keer voor de eindtijd. Nog een keer indrukken om de voercyclussen te bekijken en tenslotte drukken om naar de klok terug te keren.

**De 'TIJD' en 'VOER' knop samen 5 seconden ingedrukt houden om de voerautomaat weer in standaardwerking te zetten.** Het indicatielampje 'Frequent Voeren' verdwijnt en het indicatielampje van de klok verschijnt samen met de indicatielampjes van alle reeds opgeslagen geprogrammeerde instellingen.

#### 11. Het afzetten van de voerautomaat

Om het voerapparaat uit te zetten en de geprogrammeerde instellingen te houden:

11.1 Druk de knop '+' en '-' samen in en houd 5 seconden ingedrukt totdat "UIT" op de LCD verschijnt.

Om de voerautomaat weer aan te zetten:

11.2 Houd de knop '+' en '-' samen 5 seconden ingedrukt totdat de klok en de indicatielampjes van de ingestelde maaltijd op de LCD verschijnen.

#### 12. Batterijen verwisselen

Als het indicatielampje Batterij Bijna Leeg (afb. 2.) op de LCD knippert, moeten de batterijen vervangen worden.

#### BELANGRIJK!

- **Om de instelling van de klok en alle maaltijden te behouden, moet u alle batterijen binnen 60 seconden verwijderen en vervangen! Het indicatielampje batterij bijna leeg moet uitgaan als de volgende portie wordt geserveerd.**
- **NIET op knoppen drukken tijdens het verwijderen of vervangen van de batterijen. Anders wordt het apparaat gereset en moeten alle instellingen opnieuw geprogrammeerd worden.**

#### 13. Bevestiging van de voerautomaat op een plank

Als de kans bestaat dat uw huisdier(en) de voerautomaat verstoren, raden wij aan de voerautomaat op een passende houten plank vast te schroeven. Onderstaande methode zorgt dat de voerautomaat zo nodig zonder gereedschap gemakkelijk van de plank kan worden verwijderd:

13.1 Zet het onderstuk op de gewenste plaats op de plank. Met een potlood een lijn om de afdruk trekken.

13.2 Teken een middellijn door de omtrek van het onderstuk en kruis de plaats van de schroef aan - zie afb. 6.

13.3 Kies een passende schroef (afb. 7) en schroef hem in de plank, waarbij een ruimte van 25 mm tussen plank en onderkant van de kop moet worden vrijgelaten, zodat de voerautomaat verwijderd kan worden om deze schoon te maken of om de batterijen te vervangen.

13.4 Zet het onderstuk op de schroef en schuif het vast (afb. 8).

13.5 Zet het onderstuk binnen de getekende omtreklijn en markeer de plaatsen van de voorste schroeven binnen het smalle deel van de schroefgaten (H) (afb. 1).

13.6 Haal het onderstuk van de plank. Zet er 2 extra schroeven in (zoals afgebeeld in 13.3) en zet het onderstel weer op de plank (zie 13.4). Indien nodig, kunnen deze 2 schroeven dieper ingeschroefd worden om de voerautomaat steviger te vast te zetten.

#### 14. Reiniging

Voedselbak (A), deksel voedselbak (B), voerbak (G) en voermechanisme (E) zijn van voedselveilig materiaal gemaakt dat in een vaatwasser kan worden afgewassen. Maak het onderstuk met een vochtige doek schoon met water alleen.

14.1 Haal de voerbak uit het onderstuk door de veerklemmen aan beide kanten vast te houden en de bak uit het apparaat te trekken (afb. 9).

14.2 Verwijder het voermechanisme door het klemmetje los te maken (afb. 10).

#### 15. Troubleshooting

15.1 Verstopping in de voerautomaat

Uw voerautomaat is uitvoerig getest met diverse soorten droogvoer maar mocht de voerautomaat toch verstopt raken, dan is het onderstuk geprogrammeerd met een automatische reinigingsfunctie. Als de voerautomaat echter de verstopping niet kan verwijderen, knippert het hele LCD scherm. De verstopping dient vervolgens als volgt met de hand vrijgemaakt te worden:

- Til de voedselbak uit het onderstuk.
- Draai het voermechanisme met de hand om - zie afb. 11 - totdat het voer weer ongehinderd beweegt.

*NB. Het is raadzaam om de batterijen te vervangen voordat u de voerautomaat weer in elkaar zet (zie paragraaf 12). U zou ook kunnen overwegen een ander type voer te kiezen dat misschien minder gemakkelijk verstopping veroorzaakt.*

- Zet de voerautomaat weer in elkaar en druk op de 'TIJD' knop, zodat de display niet meer knippert en de normale werking wordt hervat.

15.2 Display functioneert niet

Mocht het de display niet functioneren - wat onwaarschijnlijk is - wacht dan 3 minuten wachten alvorens op de knoppen te gaan drukken. Verwijder, als dan alles nog niet normaal werkt, de batterijen 5 minuten. Plaats ze daarna weer terug en programmeer de voerautomaat opnieuw.