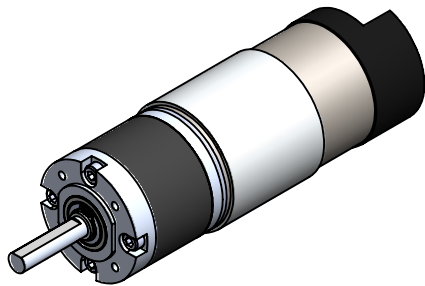
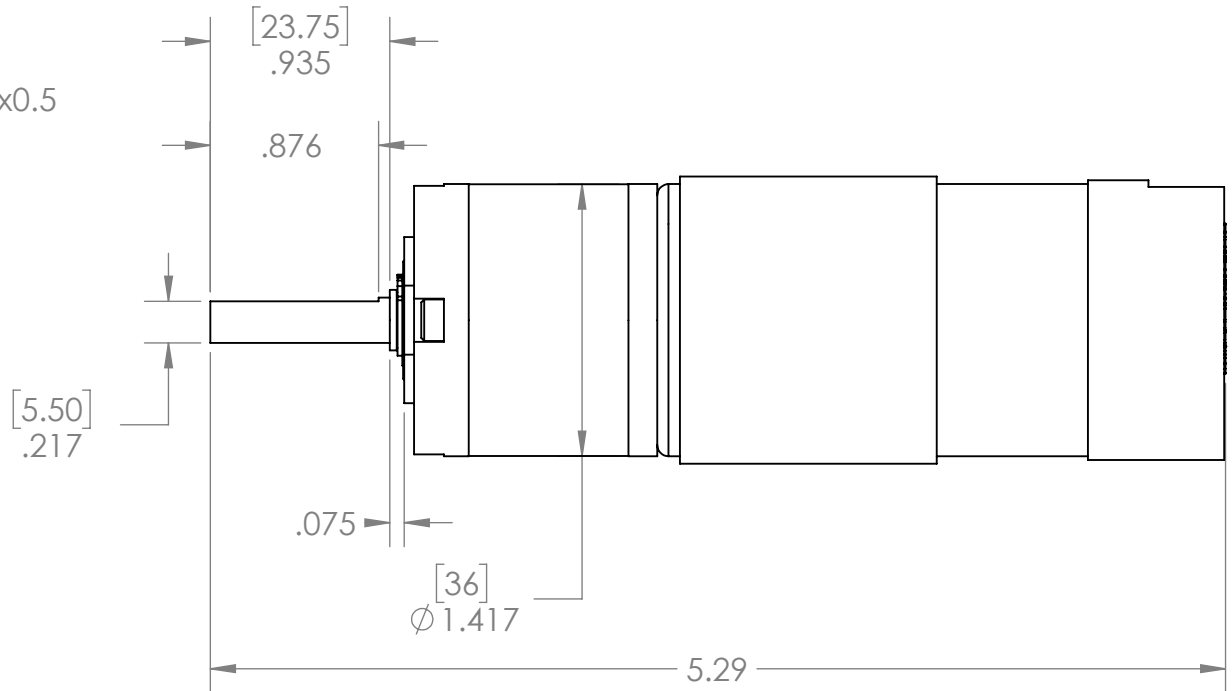
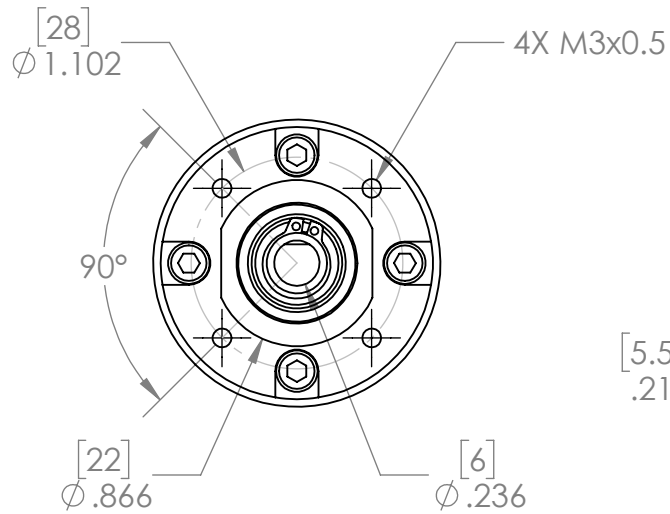



REVISIONS			
REV.	DESCRIPTION	DATE	DRAWN
1	ORIGINAL PRINT	8/9/2017	N. LAWRENCE



UNLESS OTHERWISE SPECIFIED:		NAME	DATE	
DIMENSIONS ARE IN INCHES TOLERANCES: FRACTIONAL $\pm 1/32$ ANGULAR: MACH $\pm 1^\circ$ BEND $\pm 5^\circ$ ONE PLACE DECIMAL ± 0.1 TWO PLACE DECIMAL ± 0.01 THREE PLACE DECIMAL ± 0.005		DRAWN	NL 8/9/2017	
INTERPRET GEOMETRIC TOLERANCING PER:		CHECKED		TITLE:
MATERIAL		ENG APPR.		NEVEREST ORBITAL 20 GEARMOTOR
FINISH		MFG APPR.		SIZE DWG. NO. REV
DO NOT SCALE DRAWING		Q.A.		A am-3637 1
		COMMENTS:		SCALE: 1:1 WEIGHT: SHEET 1 OF 1
		DUAL DIMENSIONS ARE IN MILLIMETERS.		