

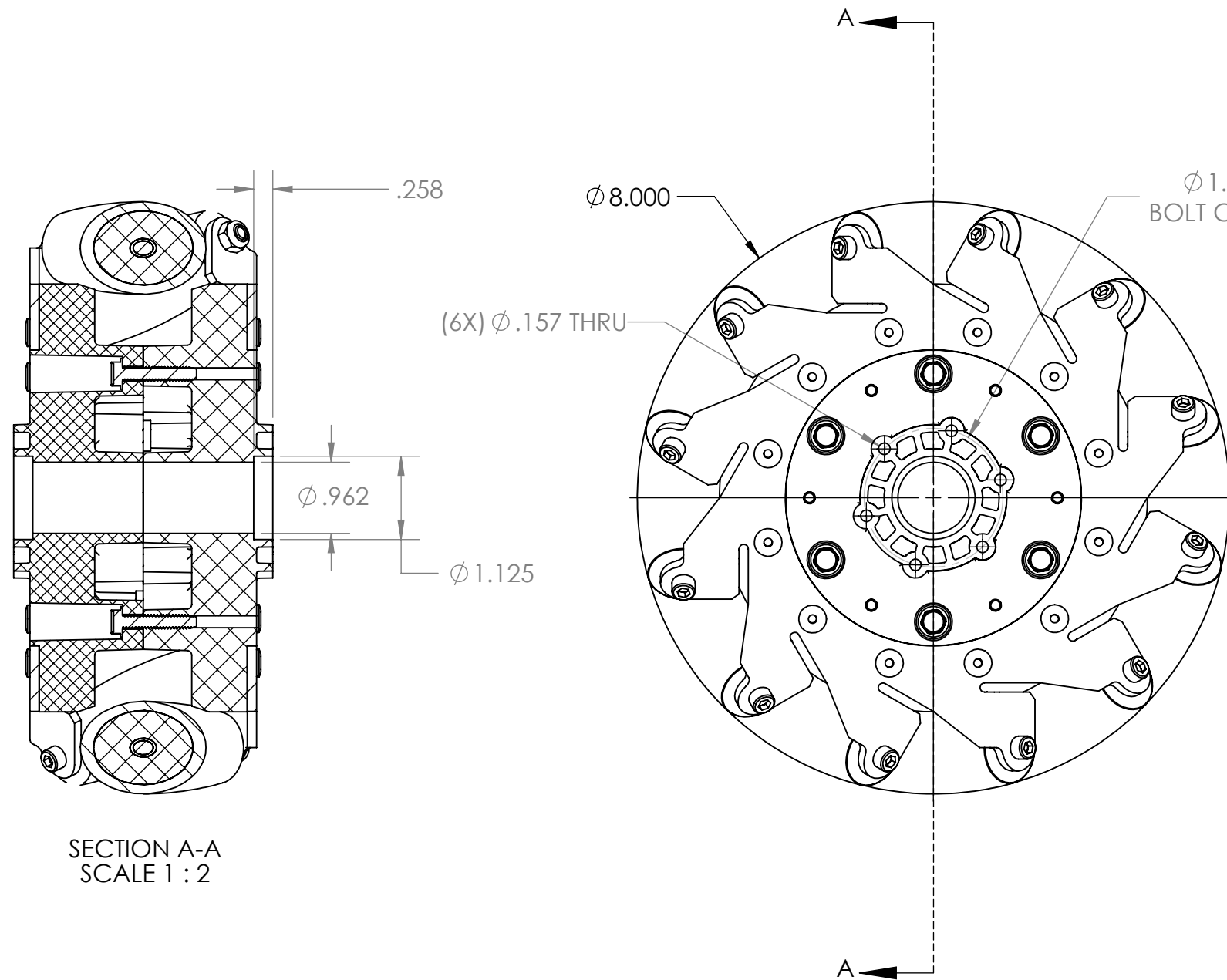
4

3

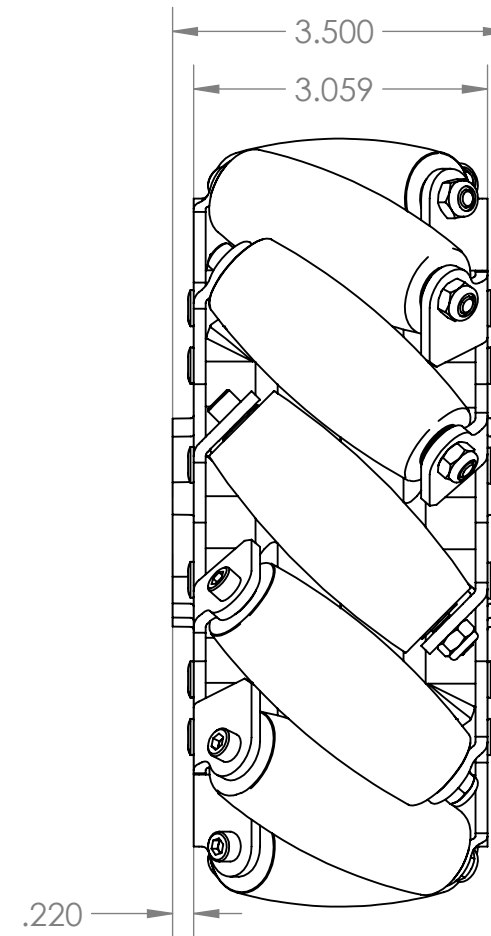
2

1

REVISION HISTORY			
REV.	DESCRIPTION	DATE	DRAWN BY
1	ORIGINAL PRINT	11/9/2017	K. NEPOMUCENO

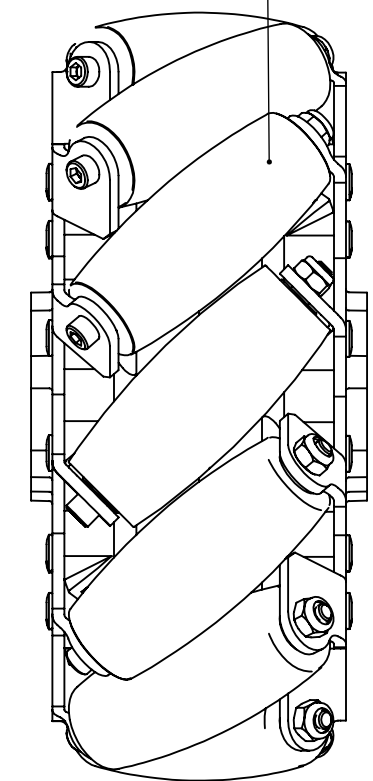


SECTION A-A
SCALE 1 : 2




LEFT WHEEL
(am-3340L)

8" MK Mecanum
Roller Replacement
am-3567



RIGHT WHEEL
(am-3340R)

*** SEE CAD FOR ADDITIONAL TOOLPATH INFO***

UNLESS OTHERWISE SPECIFIED:		COMMENTS:		 AndyMark		
DIMENSIONS ARE IN INCHES		DUAL DIMENSIONS ARE IN MILLIMETERS.				
TOLERANCES:		BREAK ALL SHARP EDGES.		SIZE	DWG. NO.	REV
FRACTIONAL	±1/16			B	am-3340	1
ANGULAR: MACH	±1°			SCALE: 1:2		
ANGULAR: BEND	±5°			SHEET 1 OF 1		
ONE PLACE DECIMAL	±0.1					
TWO PLACE DECIMAL	±0.01					
THREE PLACE DECIMAL	±0.005					
FOUR PLACE DECIMAL	±0.0005					
MATERIAL		CHECKED	NAME	DATE		
FINISH		ENG APPR.				
		MFG APPR.				
		Q.A.				
DO NOT SCALE DRAWING						

4

3

2

1