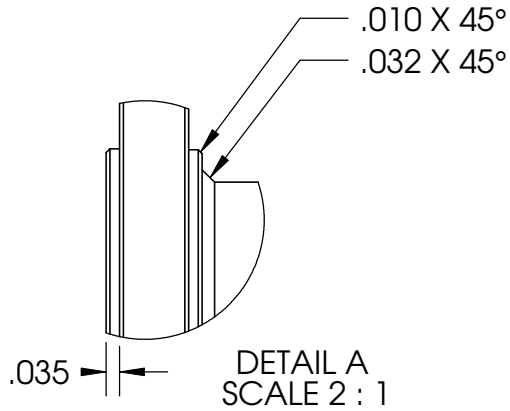
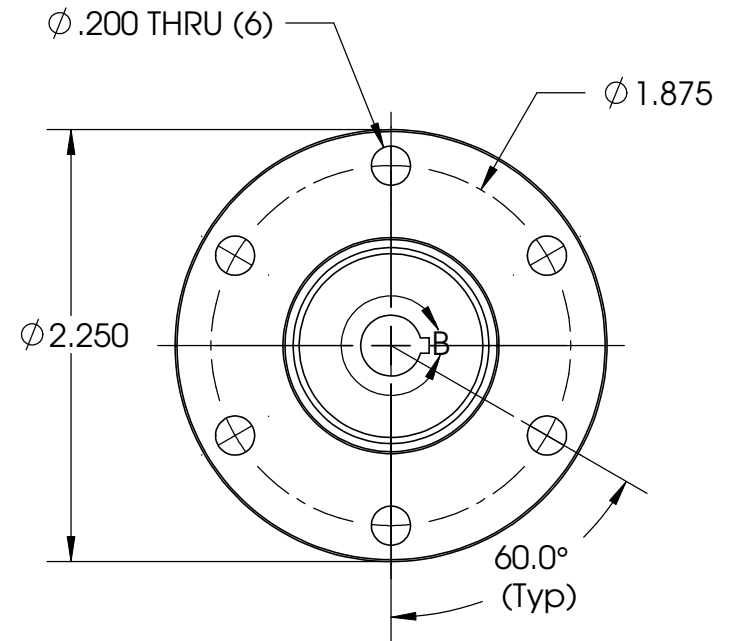
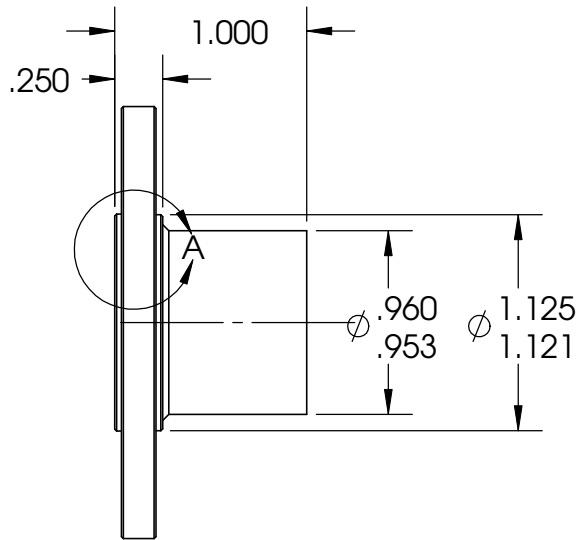
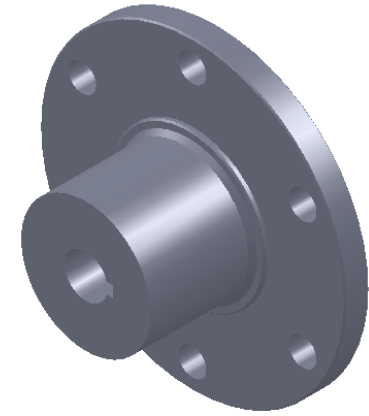


DETAIL B
SCALE 2 : 1



DETAIL A
SCALE 2 : 1



PROPRIETARY AND CONFIDENTIAL
THE INFORMATION CONTAINED IN THIS DRAWING IS THE SOLE PROPERTY OF <INSERT COMPANY NAME HERE>. ANY REPRODUCTION IN PART OR AS A WHOLE WITHOUT THE WRITTEN PERMISSION OF <INSERT COMPANY NAME HERE> IS PROHIBITED.

		UNLESS OTHERWISE SPECIFIED:	NAME	DATE
		DIMENSIONS ARE IN INCHES	DRAWN	ts
		TOLERANCES:	CHECKED	5/2013
		FRACTIONAL ±	ENG APPR.	
		ANGULAR: MACH ± 0.1 BEND ±	MFG APPR.	
		TWO PLACE DECIMAL ± 0.01	Q.A.	
		THREE PLACE DECIMAL ± 0.005	COMMENTS:	
		INTERPRET GEOMETRIC TOLERANCING PER:		
		MATERIAL		
		6061 Aluminum		
		FINISH		
		Tumbled		
NEXT ASSY	USED ON			
APPLICATION		DO NOT SCALE DRAWING		

AndyMark Inc.		
Title:		
8mm Key Hub		
SIZE	DWG. NO.	REV
A	am-0320	2
SCALE: 1:1	WEIGHT:	SHEET 1 OF 1