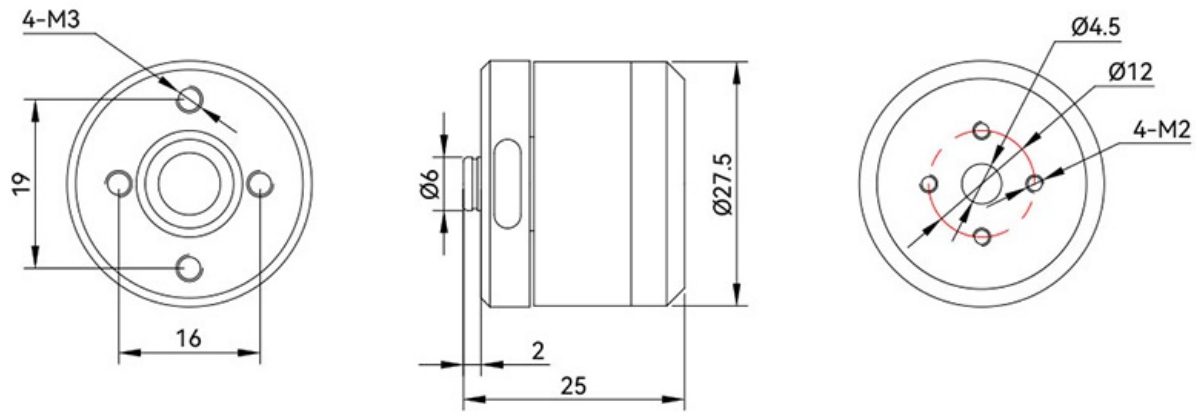


# Technical Drawing



## Specification

Test Item	GB2208	KV	128
Motor Dimensions	ø27.5*23mm	Motor Weight(Incl. Cable)	39.5g
Cable Length	20cm	Hole Size	6mm
Configuration	12N14P	Internal Resistance	14.4Ω
Motor's Torsion ( Nm )	0.07	Rated Voltage (Lipo)	3-4S