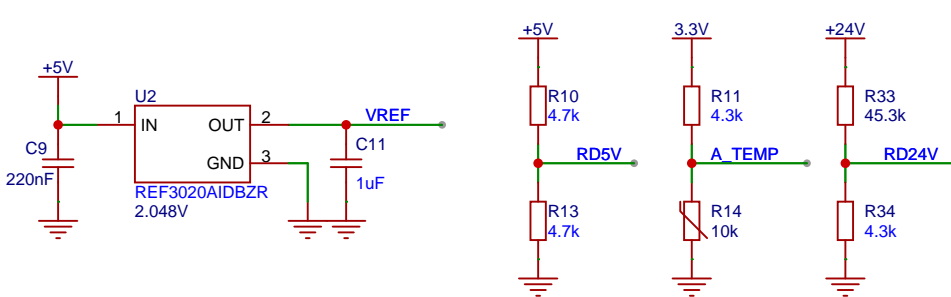
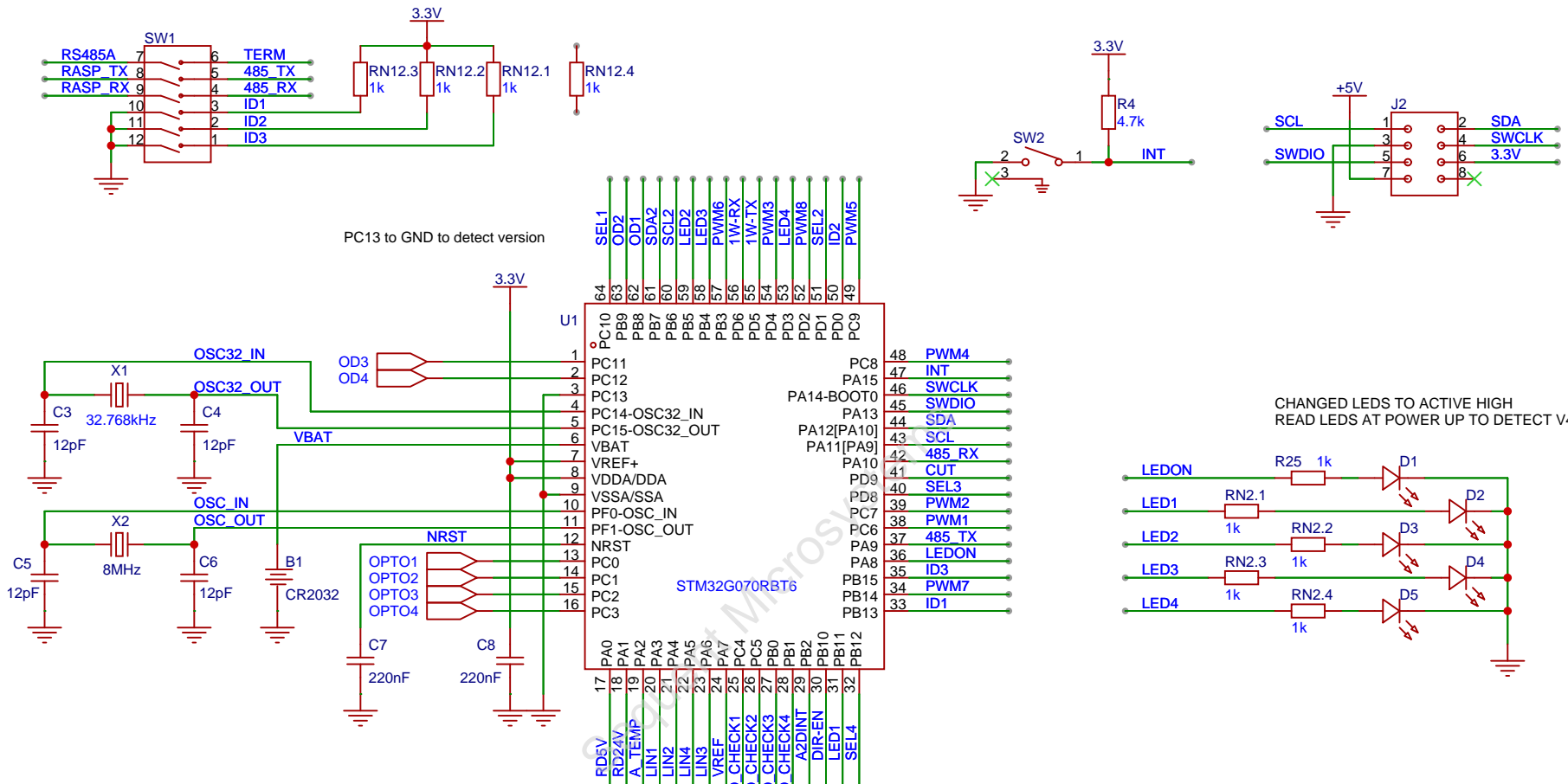
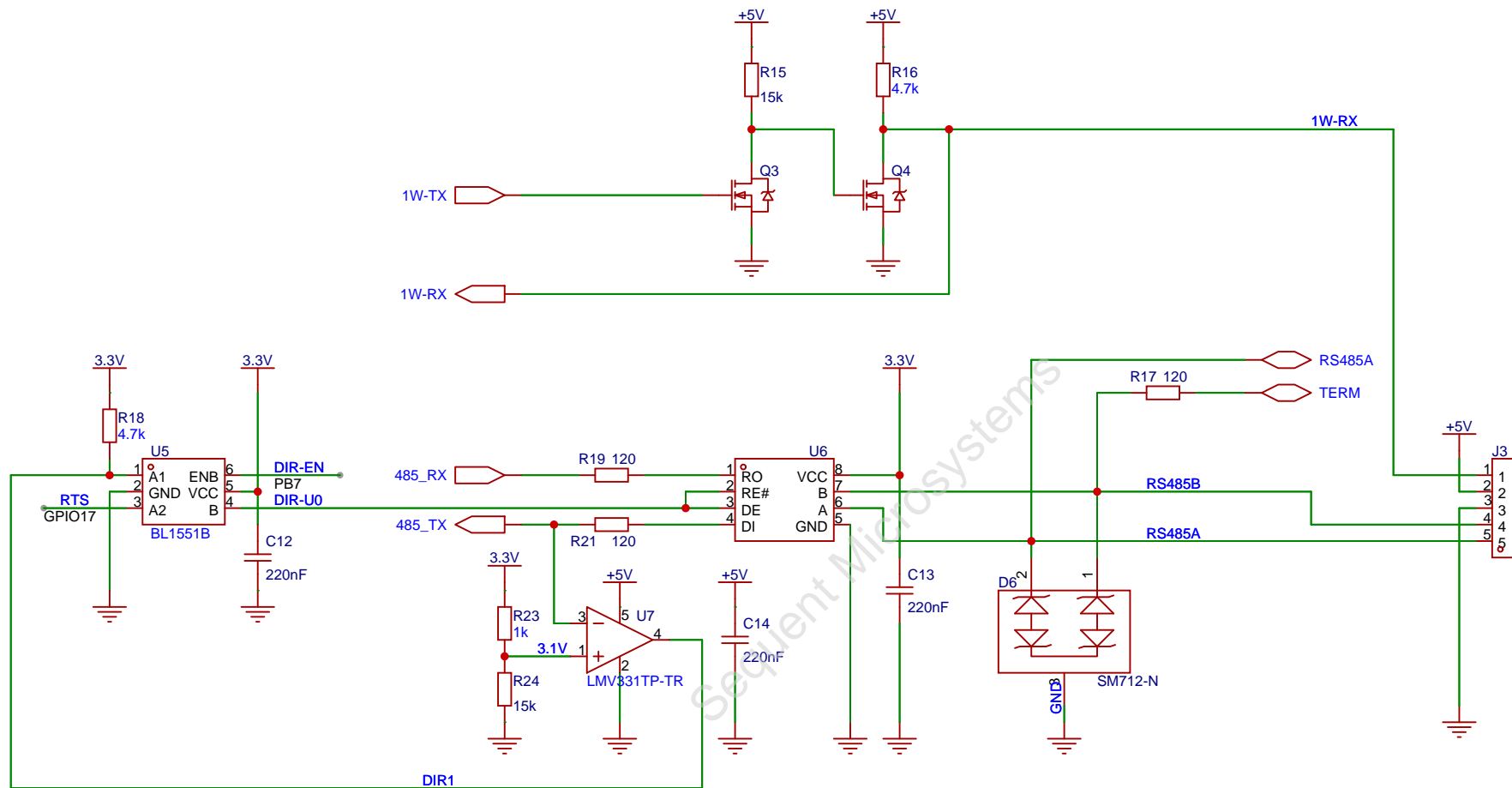


SEQUENTMICROSYSTEMS.COM

IND-V5_0	SKU : SM-I-001
PI CONNECTOR	VER : 5.0
Created: 2022-08-02	Updated: 2025-05-15
UPC : 4782912926444	PAGE 1 OF 11



SEQUENTMICROSYSTEMS.COM	
IND-V5_0	SKU : SM-I-001
PROCESSOR	VER : 5.0
Created: 2022-08-01	Updated: 2025-03-28
UPC : 4782912926444	PAGE 2 OF 11



SEQUENTMICROSYSTEMS.COM

IND-V5_0

SKU : SM-I-001

COMMUNICATION

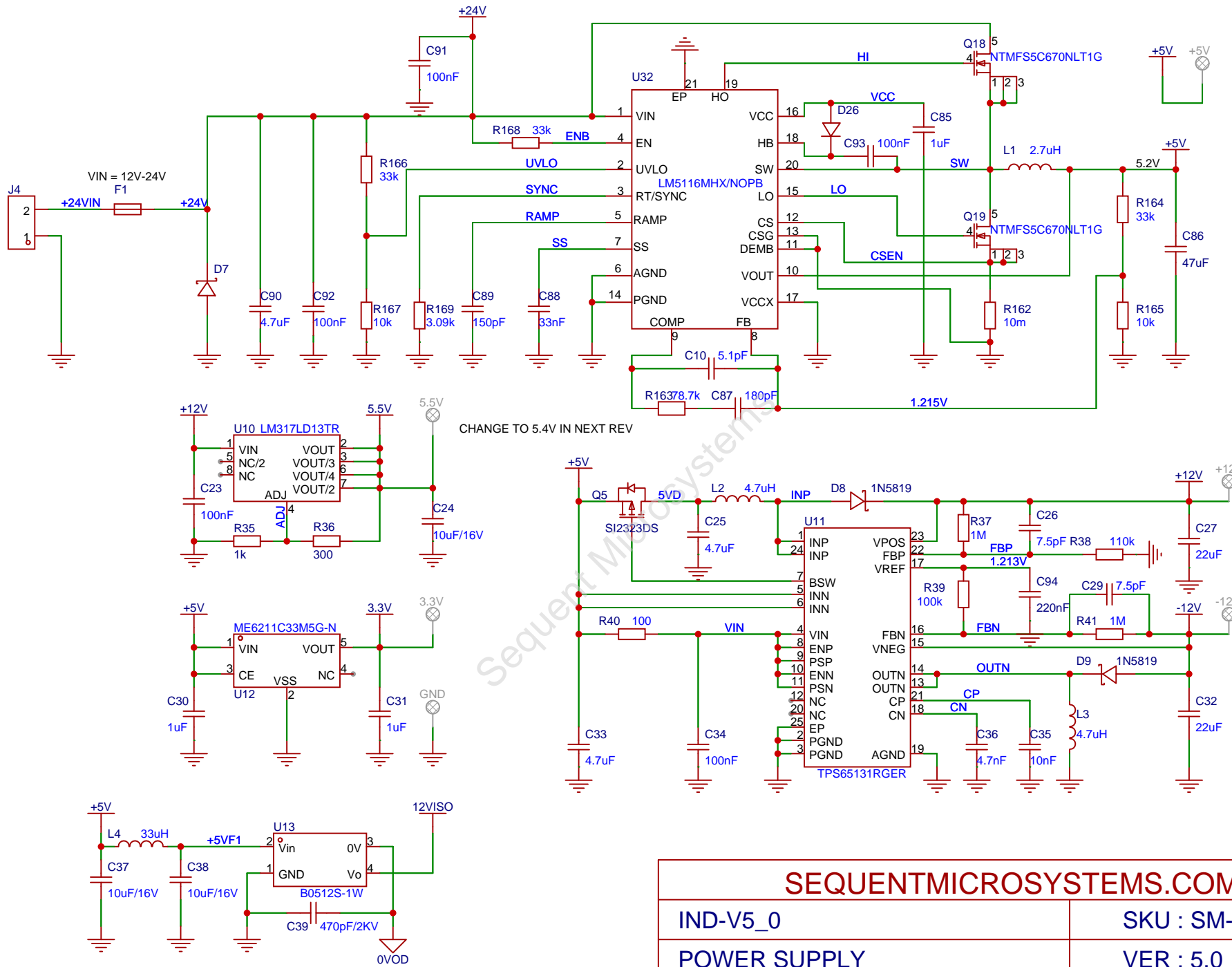
VER : 5.0

Created: 2022-08-25

Updated: 2025-03-28

UPC : 4782912926444

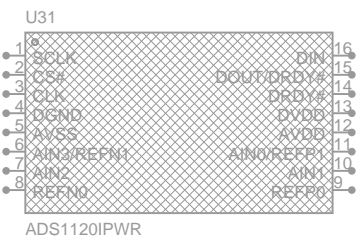
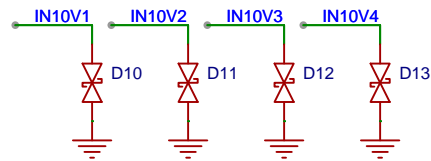
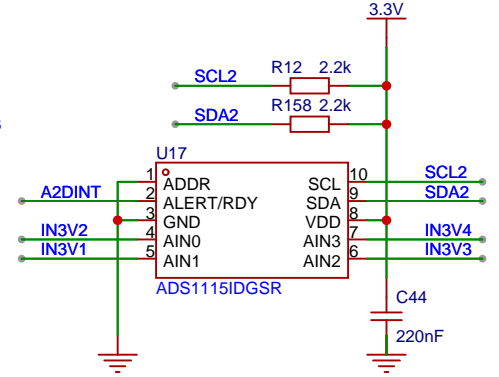
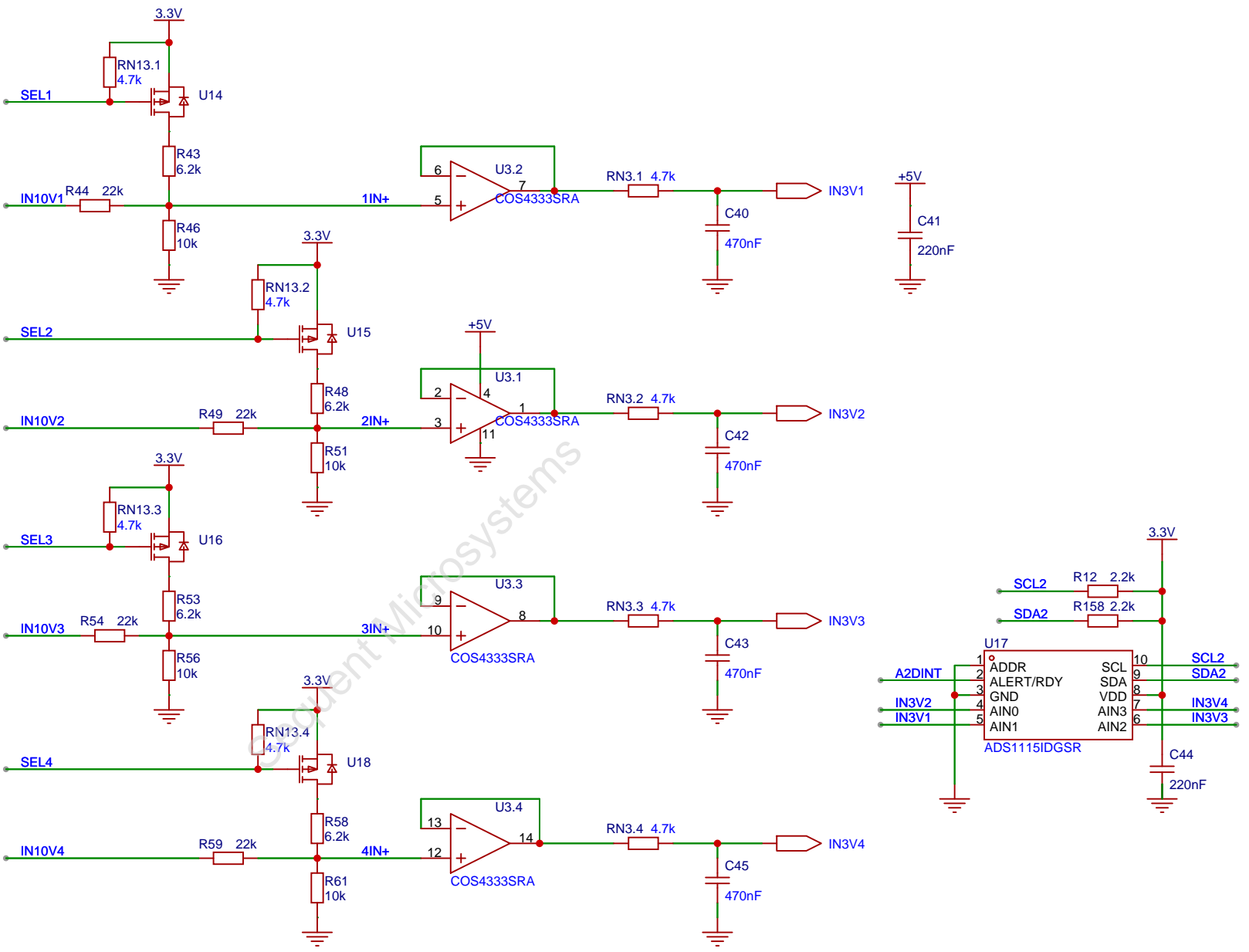
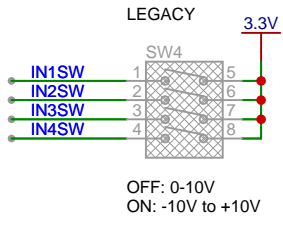
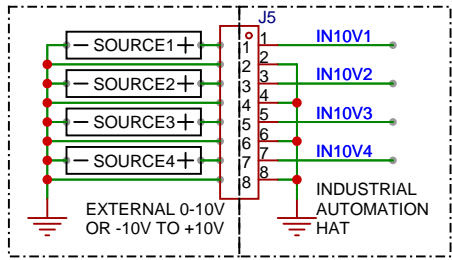
PAGE 3 OF 11



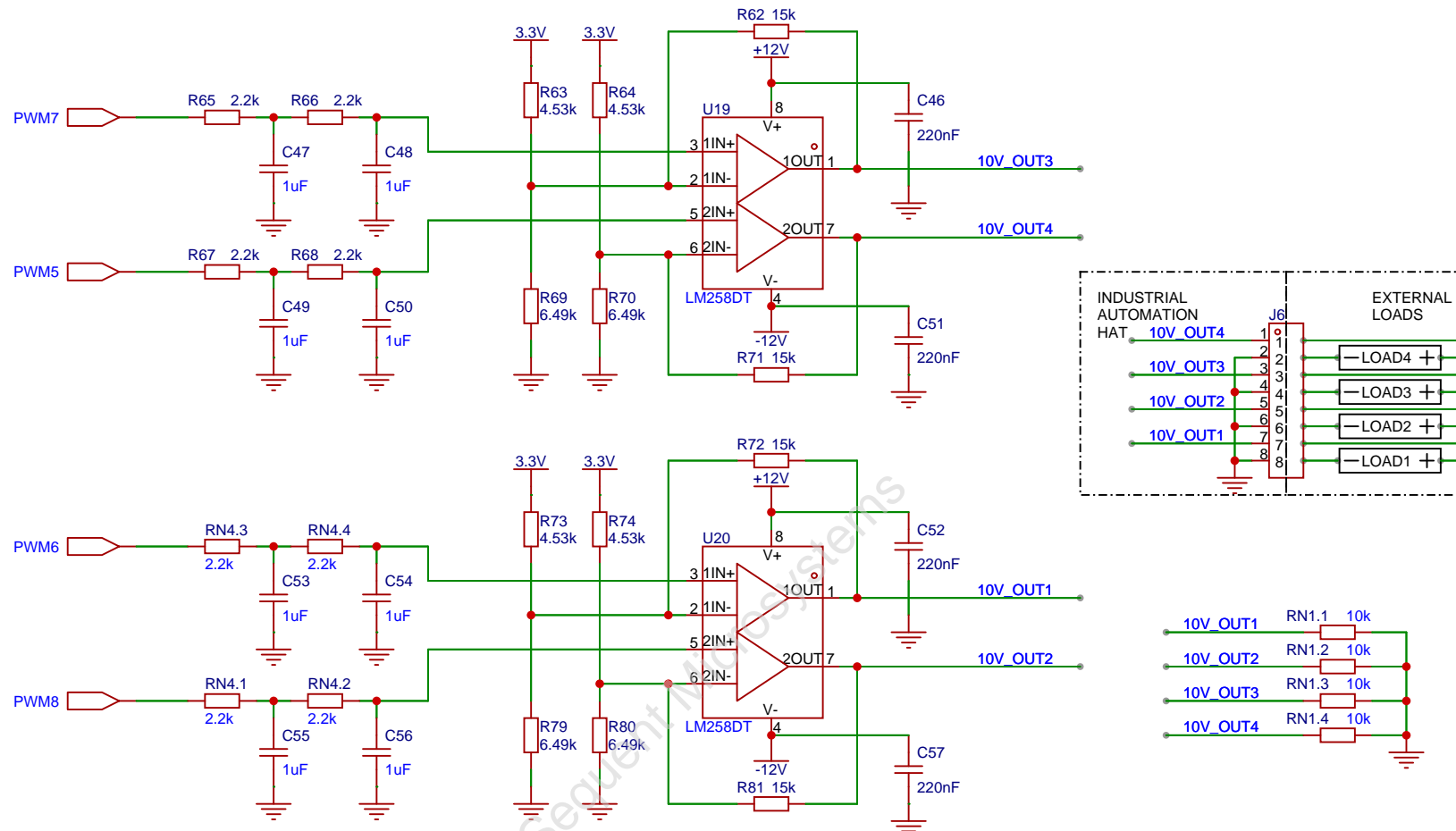
CHANGE TO 5.4V IN NEXT REV

SEQUENTMICROSYSTEMS.COM

IND-V5_0	SKU : SM-I-001
POWER SUPPLY	VER : 5.0
Created: 2022-08-01	Updated: 2025-05-28
UPC : 4782912926444	PAGE 4 OF 11

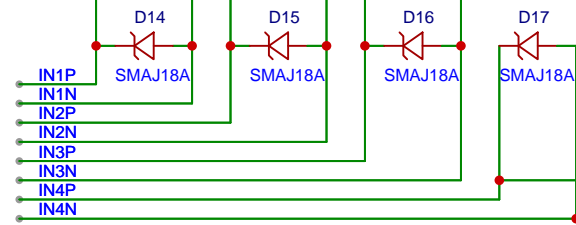
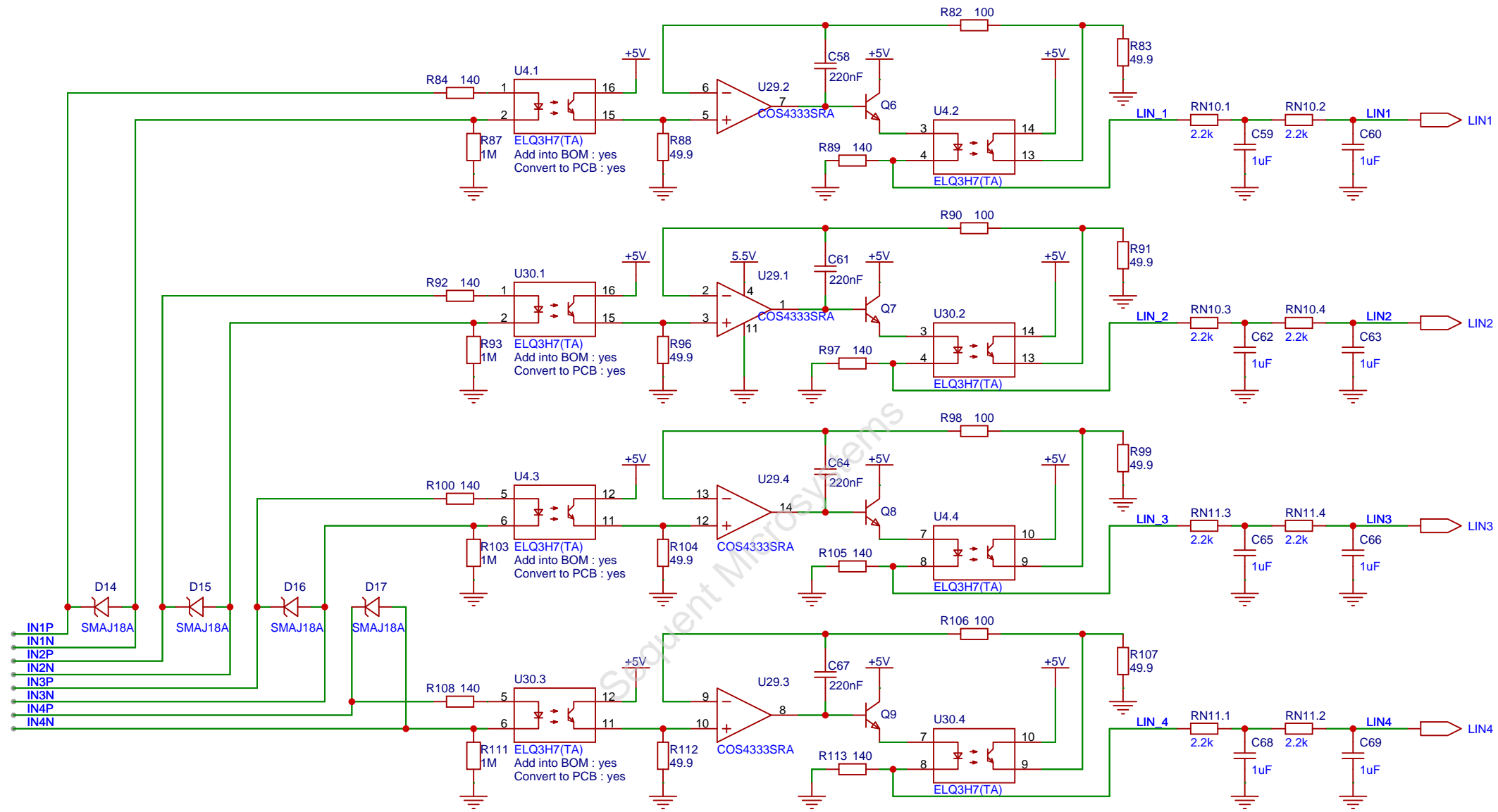


SEQUENTMICROSYSTEMS.COM	
IND-V5_0	SKU : SM-I-001
0-10V INPUTS	VER : 5.0
Created: 2022-08-02	Updated: 2025-08-16
UPC : 4782912926444	PAGE 5 OF 11



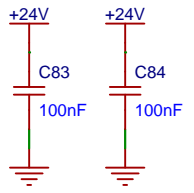
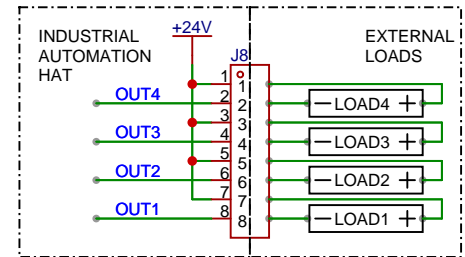
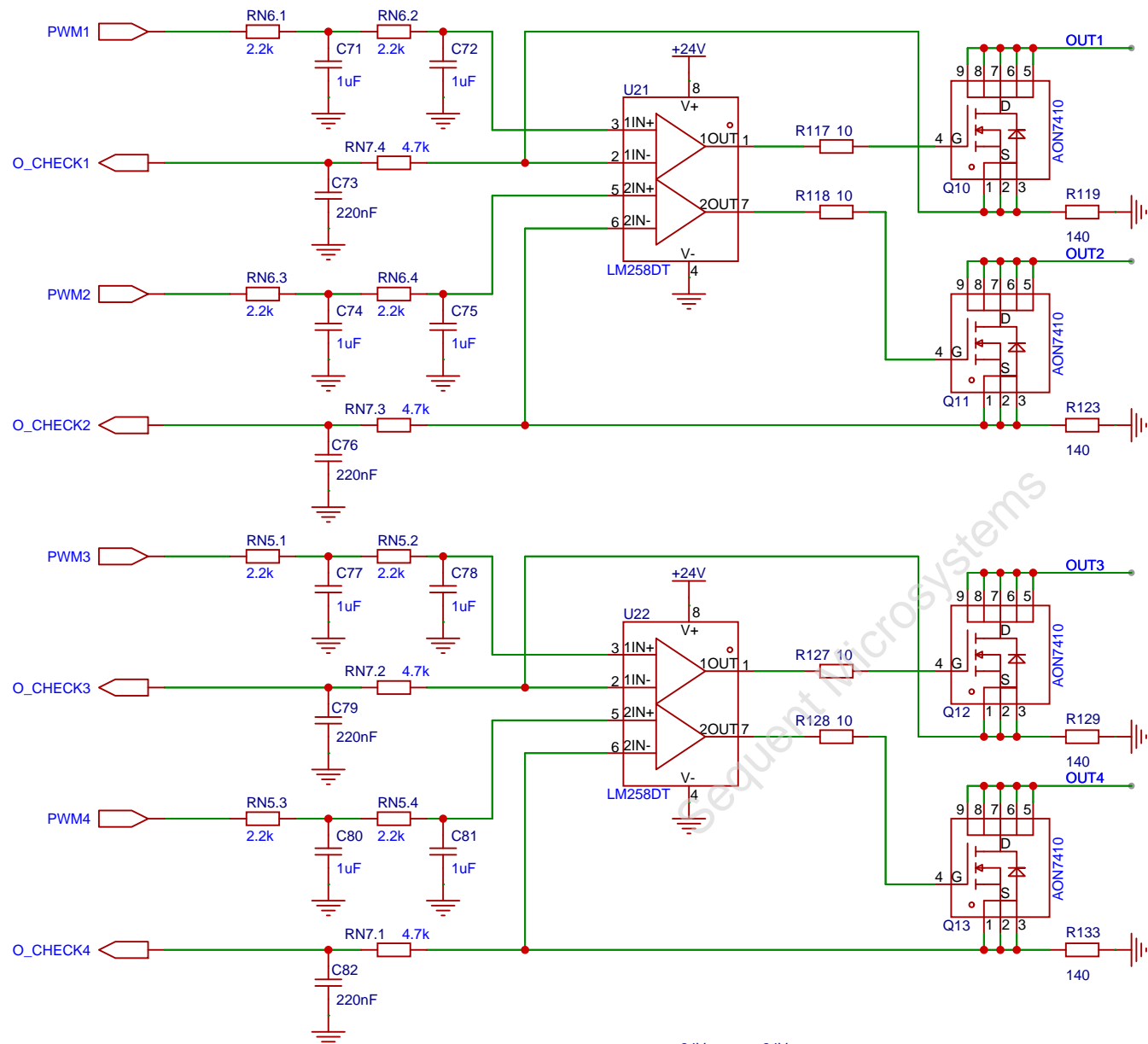
SEQUENTMICROSYSTEMS.COM

IND-V5_0	SKU : SM-I-001
0-10V OUTPUTS	VER : 5.0
Created: 2022-12-03	Updated: 2025-01-31
UPC : 4782912926444	PAGE 6 OF 11



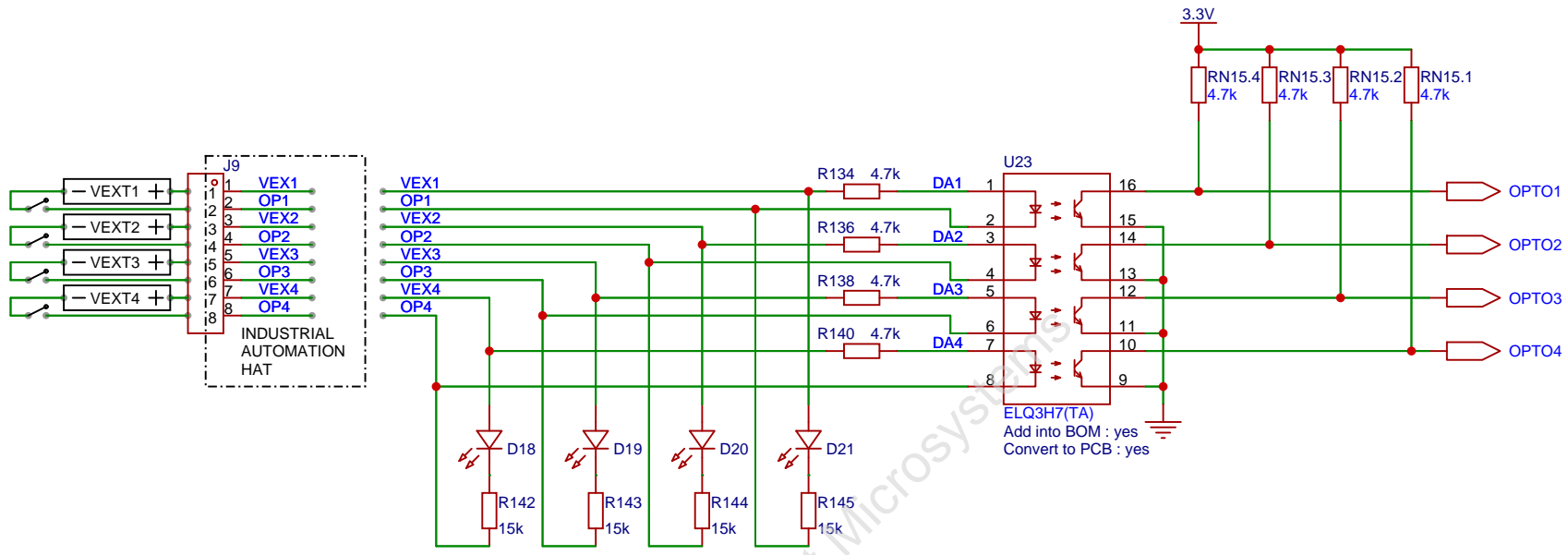
SEQUENTMICROSYSTEMS.COM

IND-V5_0	SKU : SM-I-001
4-20mA INPUTS	VER : 5.0
Created: 2022-12-03	Updated: 2025-03-20
UPC : 4782912926444	PAGE 7 OF 11



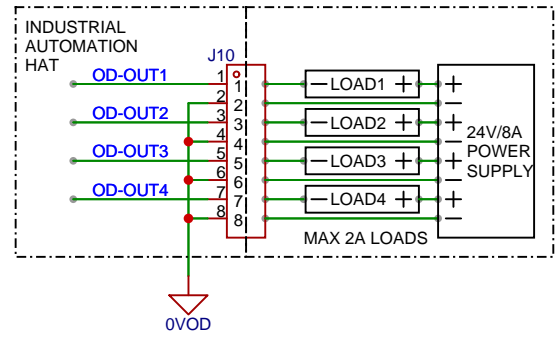
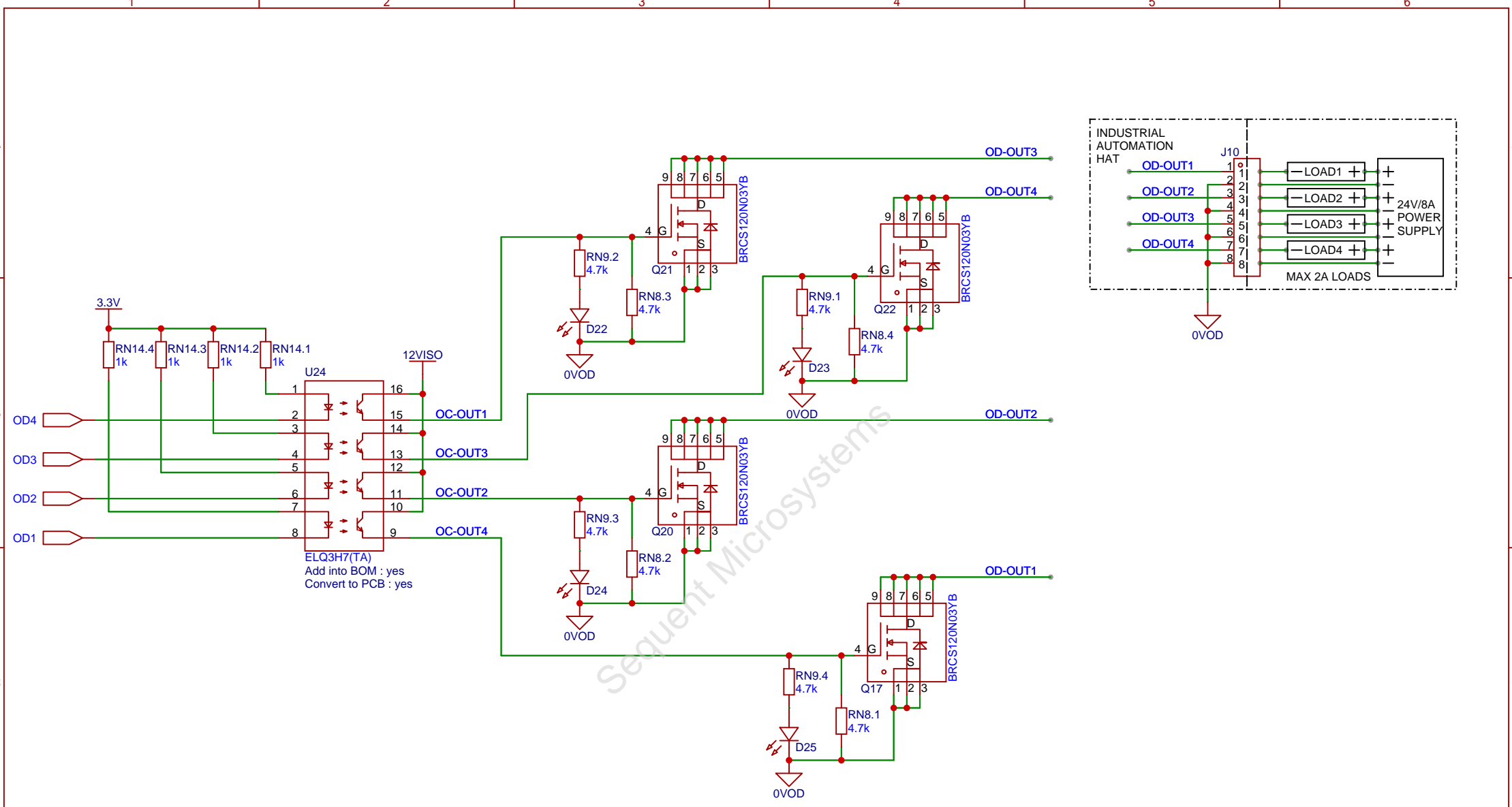
SEQUENTMICROSYSTEMS.COM

IND-V5_0	SKU : SM-I-001
4-20mA OUTPUTS	VER : 5.0
Created: 2022-12-04	Updated: 2025-02-01
UPC : 4782912926444	PAGE 8 OF 11



SEQUENTMICROSYSTEMS.COM

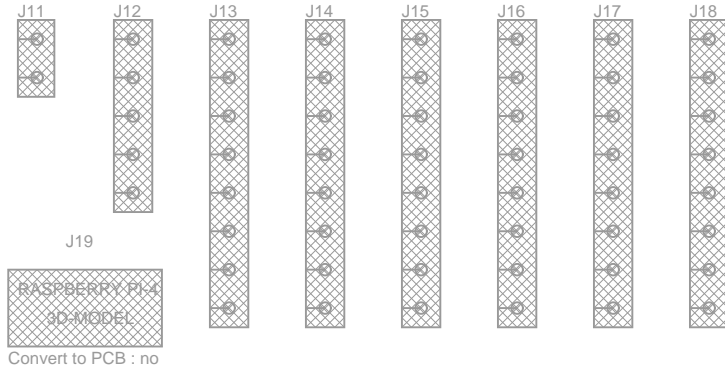
IND-V5_0	SKU : SM-I-001
OPTO-INPUTS	VER : 5.0
Created: 2022-08-17	Updated: 2025-02-01
UPC : 4782912926444	PAGE 9 OF 11



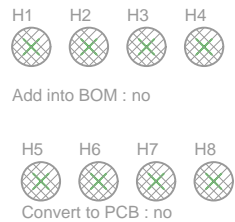
SEQUENTMICROSYSTEMS.COM

IND-V5_0	SKU : SM-I-001
O.D. OUTPUTS	VER : 5.0
Created: 2022-12-03	Updated: 2025-03-20
UPC : 4782912926444	PAGE 10 OF 11

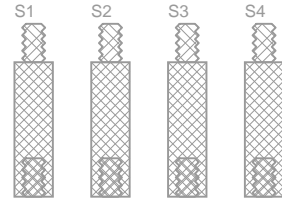
CONNECTOR PLUGS



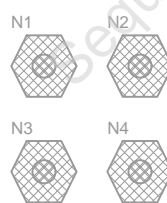
MOUNTING HOLES



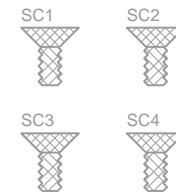
19mm STANDOFFS



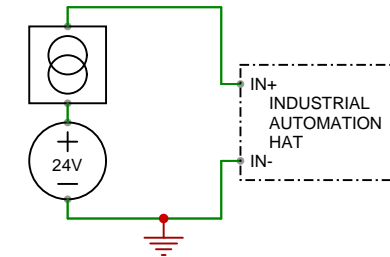
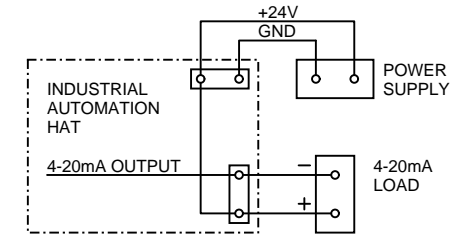
2.5MM NUTS



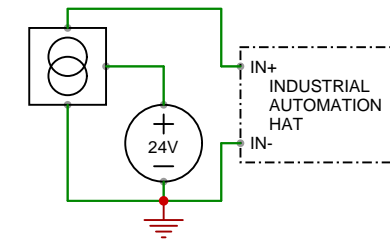
2.5MM X 5MM SCREWS



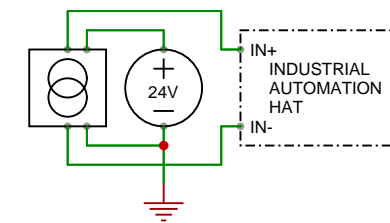
HOLES 5-8 HAVE STANDOFFS.
CONVERT TO PCB ONLY ONE SET



Case 1: Two wire transmitter, shared ground.



Case 2: Three wire transmitter, shared ground.



Case 3: Four wire transmitter, isolated ground.

SEQUENTMICROSYSTEMS.COM

IND-V5_0

SKU : SM-I-001

ACCESSORIES

VER : 5.0

Created: 2022-08-04

Updated: 2025-05-15

UPC : 4782912926444

PAGE 11 OF 11