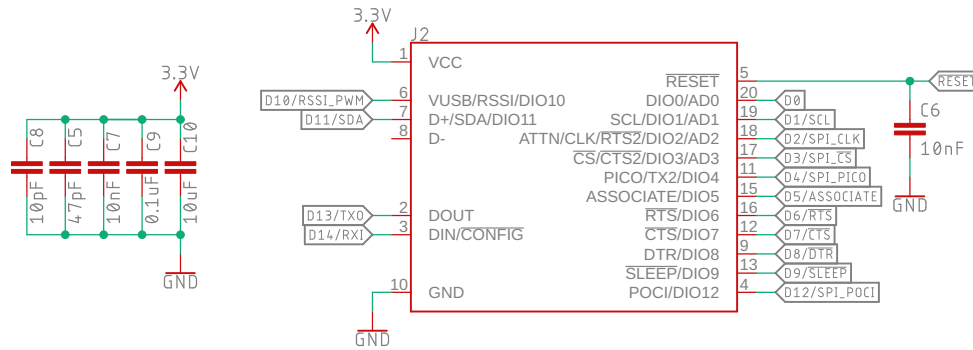


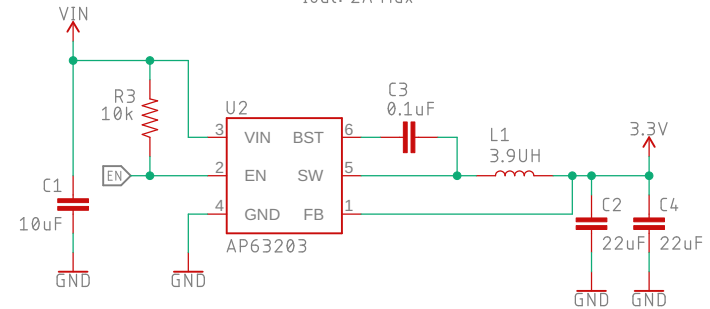
RF Module – XBee 3

VCC Range: 3.3V – 4.3V



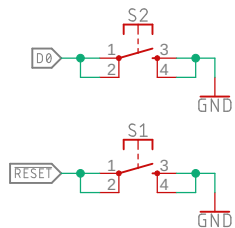
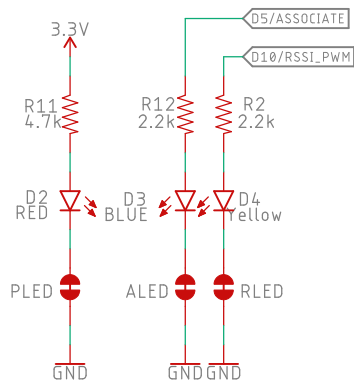
Buck Converter – AP63203

VIN: 3.8 – 5.5V
Iout: 2A Max

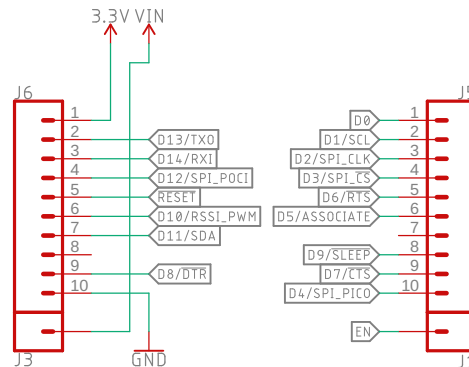


Buttons and LEDs

Cut respective jumper to sever power to LED.

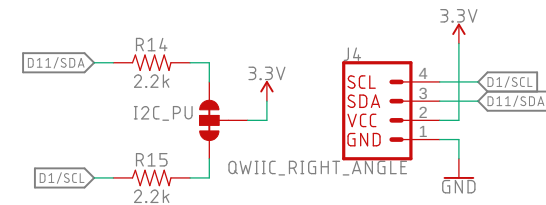


0.1" Headers



Qwiic – I2C

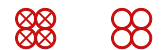
Cut I2C jumper to remove pullups.



Released under the Creative Commons

Attribution Share-Alike 4.0 License

<https://creativecommons.org/licenses/by-sa/4.0/>



TITLE: SparkFun_Digi_XBee_Regulated_Qwiic

Design by: Elias Santistevan

REV:

v10

Special Instructions

Date: 3/6/2023 8:48 AM

Sheet: 1/1