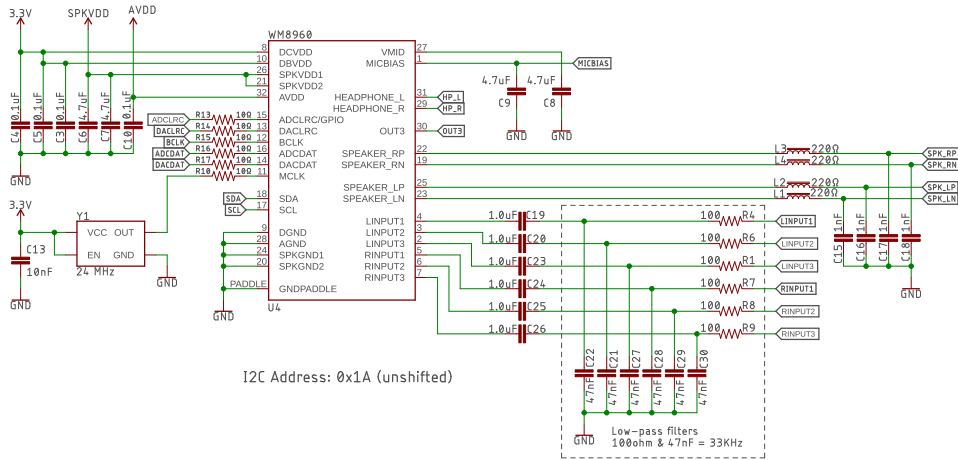
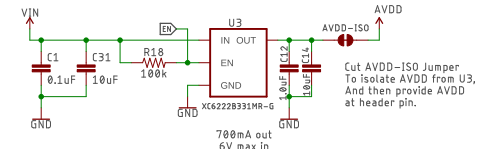


Audio Codec

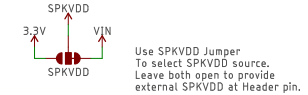
Supply Voltage Ranges
 VIN: 3.7-5.5V*
 DCVDD: 1.7-3.6V
 DBVDD: 1.7-3.6V
 AVDD: 2.7-3.6V
 SPKVDD: 2.7-5.5V
 * If VIN is used for SPKVDD, then VIN should be limited to 5.5V by SPKVDD max range



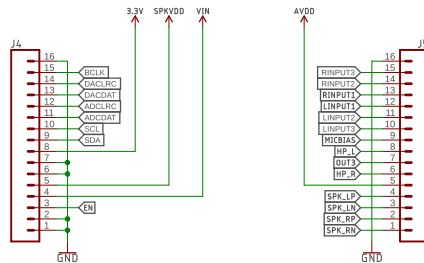
AVDD VREG



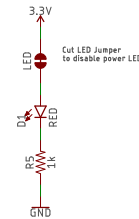
Speaker VDD Source Selection Jumper



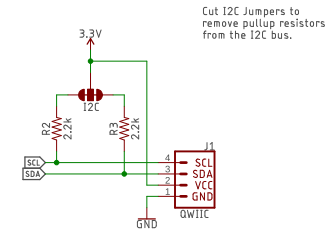
Headers



Power LED



Qwiic



Special Instructions

Released under the Creative Commons Attribution Share-Alike 4.0 License
<https://creativecommons.org/licenses/by-sa/4.0/>

TITLE: Stereo_Audio_Codec_Breakout_WM8960

Design by: Pete Lewis
 Based on the Top pHAT by Andy England

REV:
v10

Date: 11/30/2022 12:11 PM

Sheet: 1/1