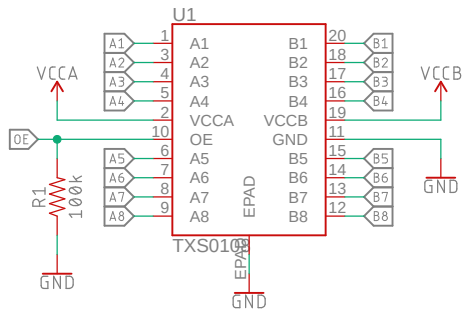
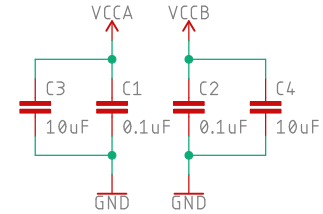


TXS0108

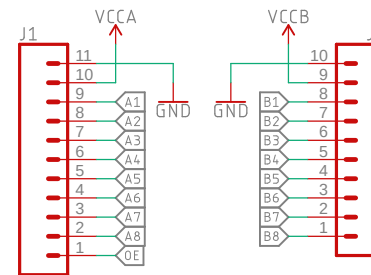
Must have VCCA <= VCCB!	
VCCA Range:	VCCB Range:
1.4V to 3.6V	1.65V to 5.5V
OE voltage is referenced to VCCA	



Bypass Capacitors



Headers



open hardware



Released under the Creative Commons Attribution Share-Alike 4.0 License
<https://creativecommons.org/licenses/by-sa/4.0/>



TITLE: TXS0108 Breakout

Design by: Dryw Wade

REV:
v10

Date: 5/11/2022 12:42 PM

Sheet: 1/1