

# MUJIE 慕杰<sup>®</sup>

YOUR AUTOMATION, YOUR MUJIE!

体积小,重量轻,安装方便  
封闭式壳体更加牢固抗冲击,  
防水IP:66,反接保护及短路保护,  
高抗电磁干扰

Small size, light weight, easy installation,  
the closed shell is more firm and impact  
resistant, waterproof ip:66 reverse connection  
protection and short circuit protection, high  
anti electromagnetic interference



## 抗干扰增强型防水MG系列

Anti interference enhanced waterproof mg series

### 型号说明 Model Explanation

MG	38	S	6	-F-	(1000)	B	5	G	2	□
基本型号 Model M:常规增量型 Incremental encoder  M□: 特殊型号定义 Special definition	主体外径OD 38:Φ38MM 50:Φ50MM 58:Φ58MM	轴型Shaft type: 实心轴 Solid shaft	轴直径: 6:Φ6mm 8:Φ8mm 10:Φ10mm 12:Φ12mm 等	输出方式 Output configuration : F:推挽输出 Push-pull C:集电极开路 Open collector E:电压输出 Voltage L:AM26LS31驱动输出Driver output (driving element AM26LS31) T:ICHD7长线驱动输出Driver output (driving element ICHD7)	脉冲数/分辨率 Resolution 10-36000P/R	输出相 Outputsignal: B:ABZ三相	电压 Supply voltage 5:5V 5-40:5-40V	出线方式 Outlet way G:侧出线 Side outlet F:侧出线防水 Side outlet waterproof E:后出线 Bottom outlet	线缆长度 Cable 2 : 2m	客户定制 Customized informat

### 电缆线色说明 Cable Color Explanation

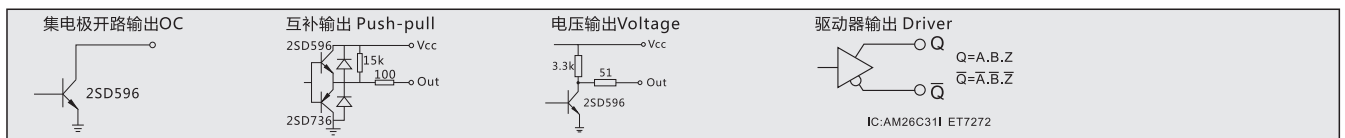
信号线Signal	VCC	0V	A	B	Z	A/	B/	Z/	屏蔽线Shield
5芯电缆线5 wires	红Red	黑Black	绿Green	白White	黄Yellow	-	-	-	N.C
8芯电缆线8 wires	红Red	黑Black	绿Green	白White	黄Yellow	棕Brown	灰Gray	橙Orange	N.C

注1: 电缆颜色若有更改, 恕不另行通知, 请以编码器标签或说明书上的颜色定义为准。Note1: Please refer to color table or product instruction to connect wires.Chang of wire color will not be informed respectively.  
注2: 电缆线标准线长2米, 如需其他规格在订货中备注说明。Note2: Standard cable length is 2m.Other length can be customized.

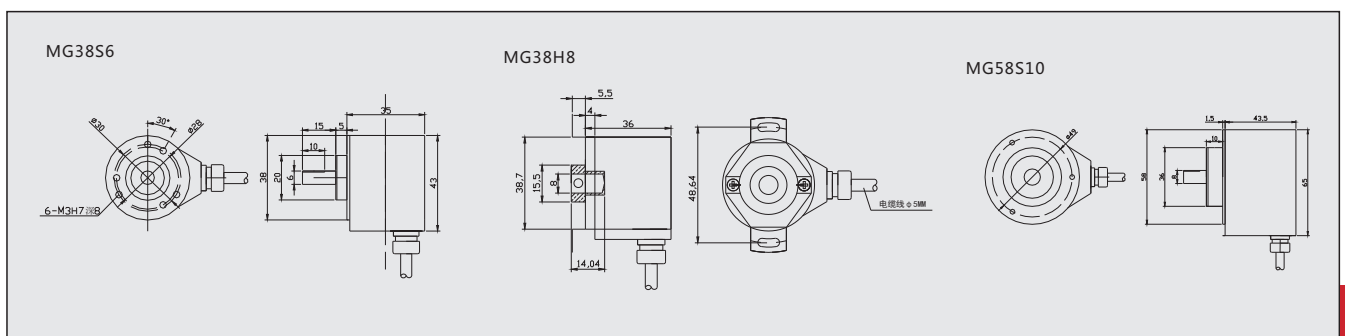
### 技术规格 Specification

电气参数 Electric parametar			
输出电路 Output circuit	驱动器 Drivers L	C、E、F	驱动器 Drivers T
电源电压Mains voltage	+5V ± 5%	+5V ± 5% / +5V ~ 40V	+8V ~ 40V
消耗电流Current consumption	≤ 60mA	≤ 60mA	≤ 60mA
允许负载Allowable load	20mA	30mA	20mA
信号高电平Signal high electrical level	≥ 2.5V	≥ VCC * 70%V	≥ VCC * 70%V
信号低电平Signal low electrical level	≤ 0.5V	≤ 0.5V	≤ 0.5V
上升/下降时间Rise /down time	≤ 100ns	≤ 1us	≤ 100ns
响应频率Response frequency	150KHz	150KHz	150KHz
机械及环境参数Mechanical and Environmental			
径向负载 Radial load	≤ 30N	抗冲击 Concussion resist	1000m/s <sup>2</sup> , 6ms
轴向负荷Axial load	≤ 15N	抗振动Vibration resist	100m/s <sup>2</sup> , 10~200Hz
起动力矩 Storque	≤ 2 × 10 <sup>-3</sup> N.m	工作温度Working temperature	- 20°C ~ +85°C
最高转速 Tiptop rotate speed	6000r/min	储存温度Storing temperature	- 20°C ~ +85°C
转动惯量 Runing inertia	20g/cm <sup>2</sup>	相对湿度Relatively humidity	≤ RH85%无结露No icing
允许角加速度Allowable acceleration	1 × 10 <sup>4</sup> rad/s <sup>2</sup>	防护等级Protect grade	IP66
重量weight	约About 0.15kg		

### 电路输出方式(示例) Example for output circuit



### 安装尺寸图 Mounting Dimensions (单位Unit:mm)



编码器/磁栅尺  
Encoder/Magnetic Scale

位移/倾角/计数器  
Displacement/Inclination/Counter

接近加速度/温度  
Proximity/Acceleration/Temperature

光电/超声波/区域  
Photoelectric/Ultrasonic/Area

压力/称重  
Pressure /load cell

联轴器/附件  
Couplings/Accessories