

P/N 6530 shown



PRODUCT DESCRIPTION

6530/6531—Single-axis slide (manual) and headstock w/ 3/4-16 external, #1 Morse internal spindle, DC motor and speed control

6532/6533—Single-axis slide (manual) and headstock w/ ER-16 spindle, DC motor and speed control (ER-16 collet not included)

6535/6536—Single-axis slide (CNC-ready) and headstock w/ 3/4-16 external, #1 Morse internal spindle, DC motor and speed control

6537/6538—Single-axis slide (CNC-ready) and headstock w/ ER-16 spindle, DC motor and speed control (ER-16 collet not included)

Single-Axis Industrial Machine Slide and Headstock with DC Motor and Speed Control

Manual P/N 6530 (6531) and 6532 (6533), CNC-Ready P/N 6535 (6536) and 6537 (6538)

Mounting the Base to Your Fixture

The base is mounted to your fixture by means of two 1/4-20 holes in the bottom of the base. As an alternative, a groove is provided around the base that can be used with Sherline's angle clamps. Drill and tap 10-32 holes in your fixture in the appropriate locations and use 10-32 socket head cap screws to hold the angle clamps. Angle clamps are P/N 35580 and can be ordered from Sherline.

Manual and CNC Versions

The manual inch versions (P/N 6530 and 6532) utilize a handwheel that is graduated in .001" increments. There are 50 divisions on the handwheel, so one turn of the handwheel advances the headstock .050". On the manual metric versions (P/N 6531 and 6533), the handwheel is graduated in .01 mm increments. There are 100 divisions, so one turn of the handwheel advances the headstock 1 mm.

The handwheels on manual versions and the couplings on CNC-ready versions have two preloaded ball bearing races to provide smooth operation with minimum endplay. The preload has been adjusted at the factory, and a small amount of thread locking compound has been used to keep it in place.

The CNC-ready versions (P/N 6535, -36, -37 and -38) have a stepper motor mount and coupling that are ready to accept a NEMA 23-size frame stepper motor. Four mounting screws are provided as is a 1-5/8" handwheel that can be mounted to the rear shaft of a dual-shaft stepper motor so that manual control can be maintained as an alternative. The handwheels are graduated in .001" or .01 mm increments as noted previously.

Adjusting Preload on the Handwheel or Coupling Bearings

Should endplay occur in the handwheel or coupling, it can be eliminated by tightening the preload nut against the bearing.

The preload nut is on the end of the leadscrew against the bearing of the handwheel or stepper motor mount. To keep the leadscrew from turning while tightening the nut, insert a hex key through the hole in the stepper motor mount and into the head of the set screw on the coupling. This will keep the coupling from turning while you adjust the nut.

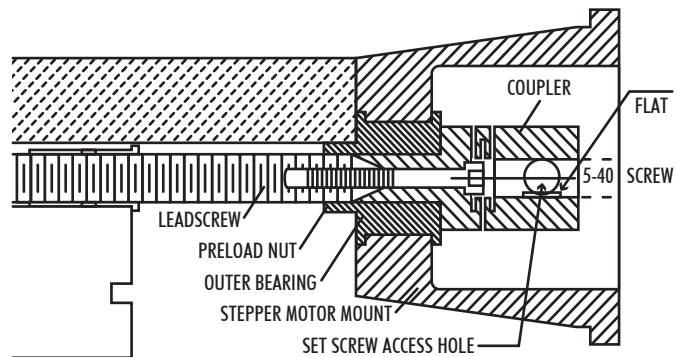


FIGURE 1—Cross-section of motor mount

After adjusting, place a small amount of thread locking compound such as Loctite® on the threads and allow capillary action to draw it in. Thread locking compound has been applied to the nut at the factory, so it may be difficult to break it loose from the leadscrew for adjustment. If the

BALL SCREW SLIDES NOW AVAILABLE

Select CNC-Ready* industrial slides are now available with ball screws. Low friction in ball screws yields high mechanical efficiency compared to other leadscrew alternatives, and efficiencies can range from 70% to 95%. Ball screw option includes an electroless nickel/Teflon plated base. Contact us for a quote.

*NOTE: Ball screws are NOT available on manual or CNC programmable controller configurations at this time.

nut doesn't come loose easily, it is possible to break the coupling at the dampening notches. An alternative method would be to hold the leadscrew with a clamping device (such as locking pliers), making sure to protect the threads with plastic or hard wood. Don't forget that the leadscrew has a left-hand thread.

Putting a Flat on the Stepper Motor Shaft

Stepper motors purchased from Sherline come with a flat on each shaft where the coupling set screw is to be tightened. If you use a stepper motor from another source, it is important that you machine or file a flat in the appropriate location before installation. If the set screw is not tightened against a flat, it can upset the surface of the shaft, making it impossible to remove from the coupling. The attached drawing of the mount on page 7 shows the location for the flat on the motor shaft. The center of the flat will occur .515" (13.1 mm) from the mounting surface of the stepper motor.

Attaching a Stepper Motor to the Mount

Insert the stepper motor shaft into the hole in the end of the coupling after first making sure the coupling set screw is backed off enough that it will not bind. Rotate the coupling to align the set screw with the hole in the motor mount. Install the four 8-32 bolts provided to secure the motor to the mount. Insert a hex key through the hole in the motor mount and tighten the set screw in the coupling to secure it to the motor shaft. A handwheel is provided that may be mounted to the rear of a dual shaft stepper motor. It is also locked to the shaft with a set screw. Scribe a witness mark on the back of your stepper motor for reference.

CAUTION: When using the handwheel to drive the stepper motor shaft for manual control, make sure to unplug the stepper motor from the system. Cranking the stepper motor by hand can cause it to act as a generator. If it is connected to the controller, the current generated could damage the circuits.

It should also be noted that stepper motors are not sealed, and they are not intended to be used in a coolant-soaked environment. Electrical connections should be shielded from flying coolant, and cables should be protected from hot chips.

About the Headstock

This headstock has a dovetailed base that is designed to fit Sherline Industrial slides that utilize a dovetailed steel bed. It can be used in either a vertical or horizontal orientation.

The Sherline headstock, motor and speed control unit was developed based on components used in the Sherline lathe and milling machine. It features two 20mm, class 5, lifetime lubricated ball bearings with an adjustable preload nut. The preload is adjusted at the factory to .0002" (.005mm) of endplay. This is controlled by the outer races of the bearings being held apart by the headstock case and the inner races being pulled together by the preload nut. This is appropriate for extended running at speeds in the range of 2000 RPM or less. If you anticipate running at higher speeds for extended periods of time, you may have

to reduce the preload adjustment to keep from producing excess heat in the headstock. When running, a properly adjusted headstock will be warm to hot but should not become too hot to touch.

Spindle Precautions

It is important to realize that this spindle should be considered light duty. To make the spindle versatile, the spindle nose includes either a 3/4-16 external thread and a #1 Morse internal taper or an ER-16 collet thread and taper. A .405" (10 mm) through hole allows long, unsupported stock to be passed through the spindle. This design provides a lot of versatility, but was not intended for long or out-of-balance parts to be rotated at high RPM. It is up to the end user to determine if the spindle and the setup are adequate and safe for the job being attempted.

The spindle is equipped with a dust cap, but it is not totally sealed. The presence of dust from grinding operations can shorten bearing life considerably. It is also not designed to be operated in a coolant bath. The spindle shaft, motor and speed control should be shielded from coolant spray.

Adjusting the Spindle Preload

To reduce the preload adjustment on the spindle bearings for extended high-speed operation, remove the spindle pulley, loosen the set screw in the preload nut and back the preload nut off four degrees of rotation (counterclockwise). The bearings are lightly pressed into the case, so the inner race will not move without a sharp tap with a plastic mallet to the end of the spindle where the pulley was attached. When adjusted, retighten the set screw and reinstall the pulley.

If you find your bearings are set too loose, you may want to take up on the endplay. You can check them with an indicator or by spinning the spindle without the drive belt engaged. If the spindle spins freely with a chuck or faceplate on it, the spindle is too loose for normal work. Adjust the preload nut until the spindle turns approximately one and a half revolutions when spun by hand.

Locking the Headstock in Position

A locking lever is provided on the leadscrew beneath the bed on manually operated versions. Rotating the handle clockwise (when seen from spindle end) will lock it against the saddle nut, preventing the headstock from moving. Rotating the lever counterclockwise will release it. A spring-loaded ball in the saddle nut aligns with a detent in the lever to keep the lever from self-locking as the leadscrew rotates. CNC-ready versions do not include this locking lever as it was felt it could harm the stepper motor if the leadscrew were inadvertently locked.

Mounting the Motor and Speed Control Unit to the Headstock

1. Remove the motor pulley from the motor shaft. Mount the inner belt guard to the motor using the two standoffs. Next, install the motor pulley to the motor shaft and tighten the set screw. The end of the pulley should be just about even with the end of the motor shaft, with the smaller pulley toward the end of the shaft.
2. Place the drive belt over the motor pulley.

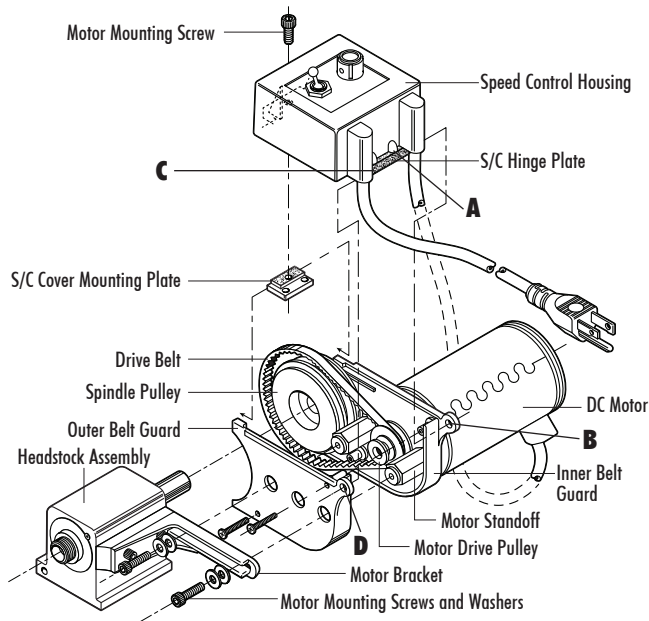


FIGURE 2—DC motor and speed control assembly (NOTE: A Sherline machine tool headstock with a flat base is shown, but the motor assembly is the same on the dovetailed headstocks.)

3. Place the round post (A) on the speed control hinge plate in the hole on the inner belt guard (B). (See Figure 2.)
4. Set the outer belt guard in place, locating the other post of the hinge plate (C) in its pivot hole (D). The motor standoff ends will register in holes in the outer belt guard. Make sure the drive belt is routed properly, then secure the cover with the two 1-3/8" pan head screws that go into nuts pressed into the back of the inner belt guard.
5. Attach the motor mounting bracket to the rear of the headstock with two 10-32 x 3/8" socket head screws. There is enough "play" in the mounting holes to allow you to ensure the motor is visually mounted parallel with the spindle axis. (Note: If an optional chip guard, P/N 4360) is to be mounted, its attachment screw replaces one of these mounting screws. It can be mounted at this time or after the headstock is in place. See instructions that come with the chip guard.)
6. Place the drive belt over the spindle pulley and insert two 10-32 x 3/4" socket head screws (with 2 washers on each) through the motor mount slot and into holes in the ends of the motor standoffs. (These standoff ends should be exposed through locating holes in the outer belt guard.)

NOTE: The normal operating position for the drive belt is on the large diameter groove on the motor pulley and the small diameter groove on the spindle pulley. The other position is used to provide extra torque at low RPM if required.

7. Tighten the motor mount screws, tilt the speed control unit out of the way and check the alignment of the drive belt. It should be perpendicular to the drive pulleys. If it is not, loosen the set screw on the motor pulley

and adjust it in or out on its shaft until the drive belt is running square with the motor.

8. Pull the desired tension into the drive belt by sliding the motor unit outward in the bracket slot. Tighten the mounting screws to hold the motor/speed control unit in place.

NOTE: Do not over-tension the drive belt. Just make sure it has enough tension to drive the spindle pulley without slipping under normal load. By not over-tightening the belt you will not only extend its life, but will also provide a margin of safety for belt slippage should a tool jam in a part or an accident occur. The belt must be a little tighter when used in the low speed range because small diameter pulleys are not as efficient.

9. Set the mounting plate into the top of the belt guard housing so it rests on the rails molded onto the inside surfaces of the housing. (The pressed-in nut faces down.) Slide the plate toward the outside (toward the spindle pulley) until it stops. The mounting plate was designed to be easily removable so it is out of the way when changing the drive belt position.
10. Rotate the speed control unit down into place and insert the single 10-32 x 3/8" socket head screw through the hole in the speed control housing and into the nut in the mounting plate. Tighten enough to hold it in place. Do not over-tighten.

NOTE: If you machine a lot of wood or brass, you may want to purchase and install a switch cover seal (P/N 3015) to keep the fine dust out of the power switch. The wood dust can gum up the switch causing intermittent operation. Brass dust can short out the switch or cause a risk of electric shock to the operator.

The Advantages of Sherline's DC Motor and Electronic Speed Control

The Sherline 90-volt DC motor is very smooth and powerful, particularly at low RPM. The specially designed electronics package also provides some unique advantages in addition to smooth speed control with a usable speed range of 70 to 2800 RPM. A special circuit compensates for load, helping to keep RPM constant. The machines can also be used on any current worldwide from 100 VAC to 240 VAC, 50 or 60 Hz without any further adjustment other than seeing that the proper wall plug is used. The control reads the incoming current and automatically adjusts to the proper settings.

Caution—Motor Is thermally Protected

Thermal protection means there is a built-in circuit breaker that will shut down the motor if it gets too hot. This keeps the motor from burning out. The breaker will automatically reset as soon as the motor cools and you can go back to work, but you should be aware of how it works and what to do if the machine suddenly shuts itself down. If your motor is shutting down from overheating on a regular basis, it means you are putting excessive load on the spindle or operating at too high an RPM for long periods. Slow your speed down, reduce your cut or feed rate, and you should

have no further problems. When deciding on a workload for this component, keep in mind its size and power. Do not overload it by attempting jobs that should be done by a machine with more horsepower.

What to Do If the Motor Suddenly Shuts Down

If your thermal protection circuit shuts down the motor while work is in progress, immediately shut off the power switch and then back the tool out of the work. It should only take 10 seconds or less for the circuit breaker to reset, then you can turn the motor on and start the job again, this time putting a little less stress on the motor. If you leave the tool engaged in the part and the power on, when the circuit breaker kicks back on, the motor must start under load. This can be very hard on your motor.

NOTE: Remember that the circuit breaker turns the speed control off, which turns off the motor. If power were to be applied to the speed control with the motor disconnected, it could damage the speed control.

Thermal protection is built into your motor to make sure it is not damaged due to overloading. Use good common sense when operating the motor and it will provide many years of trouble-free operation.

Operation of the Motor and Electronic Speed Control

The motor is supplied with an electronic speed control that produces a comprehensive range of speeds suitable for all operations. Special circuitry designed into the speed control automatically compensates for speed changes due to increased load. If the spindle RPM drops noticeably when cutting, you are taking too heavy a cut. The speed range of the spindle using the speed control is from 70 to 2800 RPM. This is achieved without the inconvenience of changing belt positions or gear ratios, as is often the case with other designs. A second belt position is offered as an additional feature to provide extra torque at low RPM for larger diameter parts should your job require it.

Proper Start-Up Procedure for Motor

To operate the motor, turn the speed control knob counterclockwise as far as it will go. Then turn the toggle switch to “ON” and select the desired speed by turning the speed control knob clockwise.

Motors Are Pre-Tested At the Factory

Your new motor should run smoothly the first time you use it, as it has been “run in” for about an hour before being shipped to you. Despite our secure packaging, there have been cases where extremely rough handling by a shipper has damaged the magnets in the motor. If the motor does not run when plugged in, turn the motor by hand. If it does not turn smoothly, it may have been damaged in shipment. Call Sherline for instructions on making a damage claim with the shipper. The motor is not user-serviceable. Do not attempt to repair it yourself.

Two-Speed Pulley

The normal pulley position, which is placing the belt on the larger motor pulley and smaller headstock pulley, will suffice for most jobs. Moving the belt to the other position (smaller motor pulley, larger headstock pulley) will provide additional torque at lower RPM.

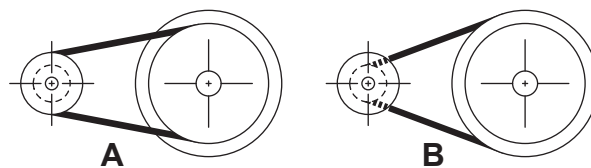


FIGURE 3—The two pulley positions. Position A is the conventional setting and offers a spindle speed range of 70 to 2800 RPM. Position B offers more torque at low RPM.

To change the pulley position, remove the speed control hold-down screw and pivot the speed control housing up out of the way. Remove the mounting plate from its position on the rails of the two halves of the belt guard housing. Loosen the two nuts that hold the motor to the motor mounting bracket and take the tension off the belt. With your finger, push the belt off the larger diameter groove of the pulley and into the smaller one. (Depending on which way you are changing it, this could be either the motor or spindle pulley.) Then move the belt to the larger diameter groove on the other pulley, and rotate the headstock by hand to get it to seat. Push the motor outward on the motor mounting bracket to put the proper tension on the belt, and retighten the two motor mounting screws. Now you can replace the mounting plate, pivot the speed control back down and refasten it. Moving the belt back to the other position is simply a reverse of the above procedure.

Mounting the Headstock to a Machine Slide

Lightly lubricate the dovetailed surfaces of the base or column material. Loosely attach the brass gib to the headstock using the three 10-32 x 5/8" socket head cap screws provided. From the overhanging end, slide the headstock base over the dovetailed slide bed. Tighten each gib screw until the gib is seated evenly against the dovetail, and the headstock slides evenly on the base or bed with no side-to-side “play”. Tighten the three set screws in the side of the headstock against the gib adjustment screws to lock them in place. (Do not over-tighten or you can damage the threads of the attachment screws.)

Position the headstock at the end of its travel, as close to the handwheel (or stepper motor) end of the leadscrew as it will go. Rotate the leadscrew until the hole in the saddle nut aligns with the center hole in the saddle nut bracket on the headstock. Attach the saddle nut to the bracket using the 10-32 x 5/8" socket head cap screw provided. Loosen the cap screw slightly, and bring each of the 10-32 x 1/4" flat point set screws on either side of it into light contact with the saddle nut and retighten the cap screw. If binding occurs when you move the headstock, readjust the two set screws until it moves smoothly.

Accessories Available for 3/4-16 #1 Morse Spindle

Sherline manufactures a complete line of accessories for the headstock, including 3-jaw and 4-jaw chucks, drill chucks, collets and special tool holders. These accessories will fit the 3/4-16 external spindle thread or the #1 Morse internal taper. See our tools and accessories web site at www.sherline.com or call or e-mail for a catalog and price list. Sherline does not carry ER-16 collets, but they can be purchased from industrial tool suppliers.

Purchasing ER-16 Collets for ER-16 Spindle

ER-16 collets and collet nuts are available from major tool suppliers including the following:

- Manhattan Supply Co. (MSC)—(800) 645-7270
- McMaster-Carr—(562) 692-5911
- Travers Tool Co.—(800) 221-0270

Specifications

- **Height of top of bead above fixture:** 3.75" (95.3 mm)
- **Height of spindle centerline above fixture:** 5.93" (150.6 mm)
- **Spindle centerline height above bed:** 2.184" (55.47 mm)
- **Headstock travel on machine slide:** 4.625" (117.5 mm)
- **Length of headstock base and gib:** 3.5" (88.9 mm)
- **Length of headstock case (at top):** 3.00" (76.3 mm)
- **Hole through spindle:** .405" (10 mm)
- **Spindle nose thread (Model 6530, -31, -35, -36):** 3/4-16
- **Spindle nose internal taper (Model 6530, -31, -35, -36):** #1 Morse
- **Spindle nose thread and taper (Model 6532, -33, -37, -38):** ER-16
- **Spindle bearings:** (2) 20 mm, class 5, lifetime lubricated ball bearings with adjustable preload
- **Spindle speed range:** 70-2800 RPM
- **Current input:** 100VAC to 240VAC, 50 or 60 Hz.
- **Mounting provision:** 2 holes 1/4-20 in bottom of base on centerline, 2.0" (50.8 mm) on centers
- **Overall weight:** 15 lb (6.8 kg)

Thank you,
Sherline Products Inc.

Parts List, Headstock

NO. REQ.	P/N	DESCRIPTION
1	40160	Preload Nut
1	40230	Spindle (3/4-16/#1 Morse) (6530, -31, -35, -36)
1	40320	Dust Cover
4	40330	10-32 x 5/8" SHCS
2	40410	Headstock Class 5 Bearings
2	40440	#2 x 1/4" Self-Tapping Phillips Head Screws
2	40600	10-32 x 1/4" Flat Point Set Screw
1	43230	2-Step V-Belt Pulley
1	65023	Spindle (ER-16) (6532, -33, -37, -38)
1	65011	Headstock Case w/ Dovetailed Base
1	65012	Industrial Headstock Spacer
1	65013	Saddle Nut Bracket
1	65014	Industrial Brass Gib
1	65026	ER-16 collet nut (6532, -33, -37, -38)

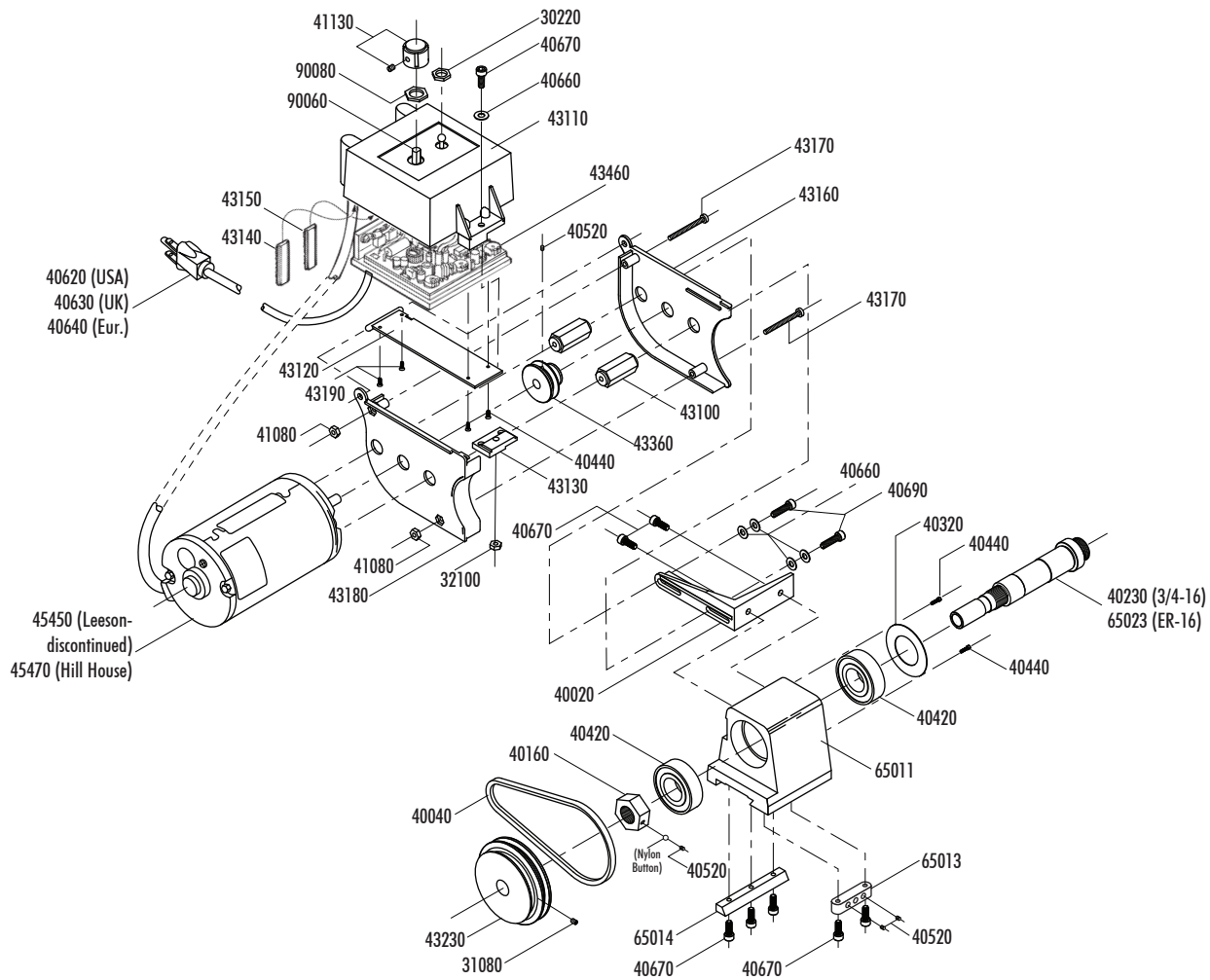
Parts List, Motor and Speed Control

NO. REQ.	P/N	DESCRIPTION
1	30220	Toggle Switch Retaining Ring
1	30230	Toggle Switch
1	40020	Motor Bracket
2	40440	Self-Tapping Screw
1	40510	10-32 x 3/8" Socket Head Cap Screw
1	40520	10-32 x 3/16" Cup Point Set Screw
1	40620	Power Cord (Usa)
5	40660	3/16" I.d. Washer
2	40690	10-32 x 3/4" Socket Head Cap Screw
3	41080	6-32 Hex Nut
1	41130	DC Speed Control Knob And Set Screw
2	43100	DC Motor Standoff
1	43110	DC Speed Control Case
1	43120	DC Speed Control Hinge
1	43130	DC Speed Control Cover Mounting Plate
1	43140	DC Speed Control Tab, Small
1	43150	DC Speed Control Tab, Large
1	43160	Belt Guard, Outer
2	43170	6-32 x 1-3/8" Pan Head Screw
1	43180	Belt Guard, Inner
2	43190	#2 x 1/4" Flat Head Sheet Metal Screw
1	43360	Stepped Motor Pulley
1	43450	DC Motor
1	43460	DC Speed Control Electronics
1	90060	DC Speed Control 5K Potentiometer
1	90080	3/8-32 Hex Nut

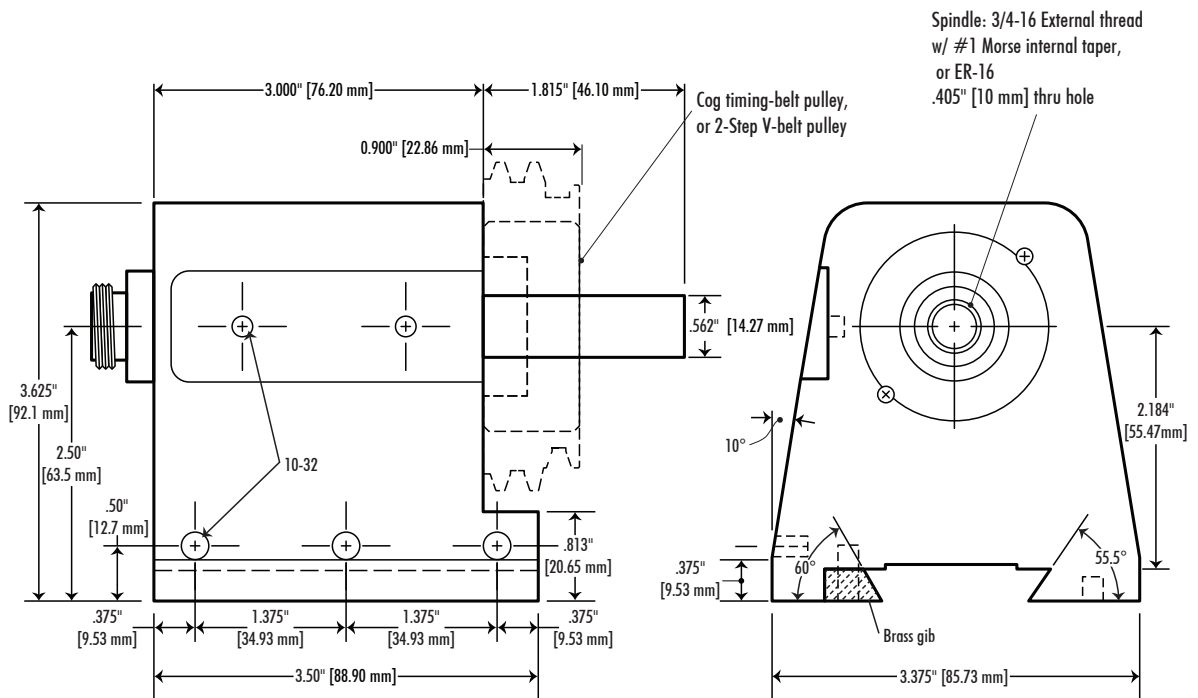
Parts List, Single-Axis Machine Slides

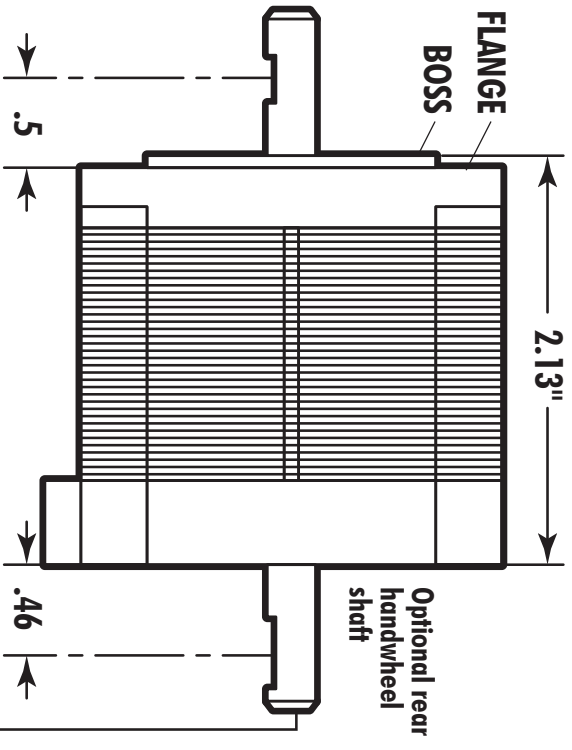
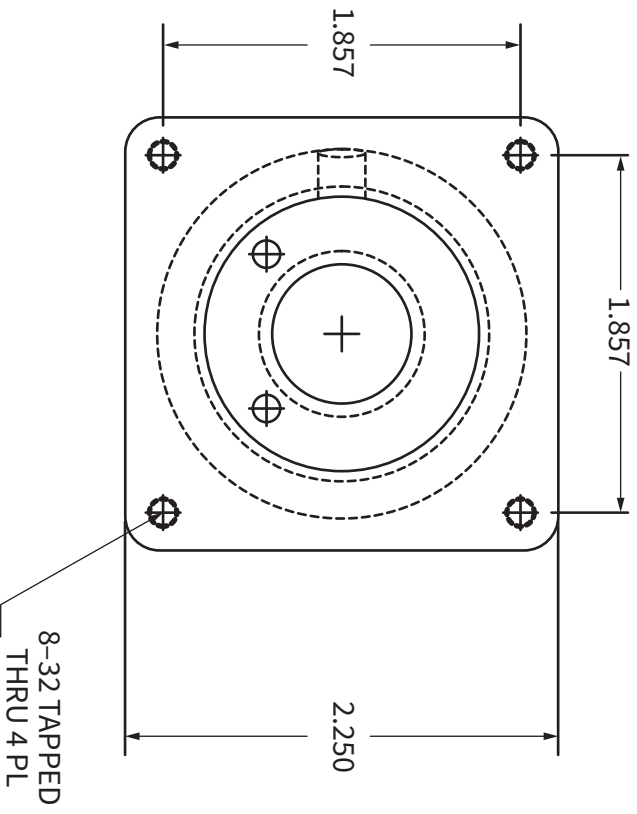
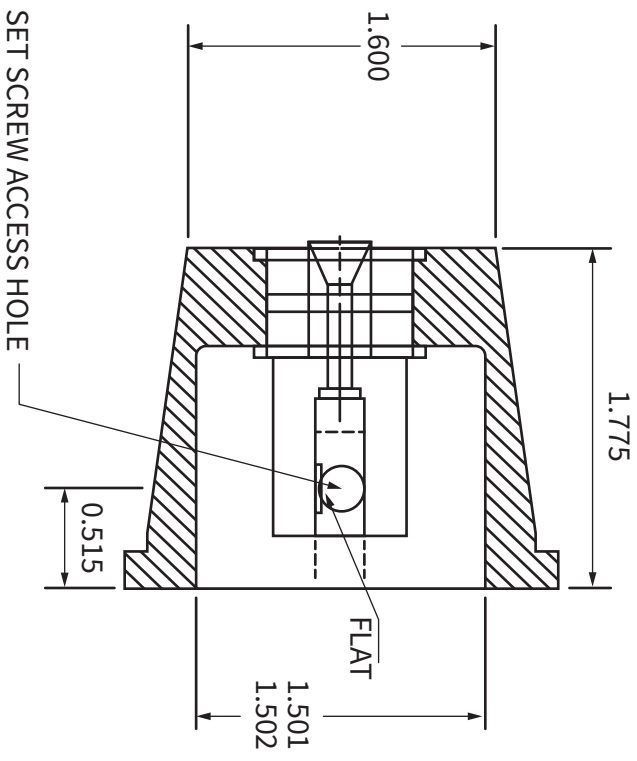
NO. REQ.	P/N	DESCRIPTION
3	12050	8-32 x 3/8" Socket Head Cap Screw (for CNC slides: P/N 6535, -36, -37, -38)
1	12070	9/64" Hex Key
1	40080	1-5/8" Handwheel, Inch (41040 Metric) (for CNC slides: P/N 6535, -36, -37, -38)
1	40520	10-32 x 3/16" Cup Point Set Screw (6535, -36, -37, -38)
4	40740	10-32 x 7/8" Socket Head Cap Screw
1	40174	Saddle Nut
1	40175	Saddle Nut Locking Lever (6530, -31, -32, -33)
1	45011	Manual Leadscrew, Inch (45161 Metric) (for Manual slides: 6560, 6561)
1	67021	Bed
1	65451	Base
1	67018	Industrial Handwheel, Inch (670181 Metric) (for Manual slides: P/N 6530, -31, -32, -33)
1	67019	Handwheel Collar (6530, -31, -32, -33)
1	67030	CNC Leadscrew, Inch (67031 Metric) (for CNC slides: P/N 6535, -36, -37, -38)
1	67101	Stepper-Motor Mount (6535, -36, -37, -38)
1	67103	Stepper-Motor Mount Nylon Plug (6565, 6566)
1	671052	CNC Coupling (6535, -36, -37, -38)
1	67107	Preload Nut (LH), Inch (67109 Metric) (6535, -36, -37, -38)
2	67111	8-32 x 7/8" SHCS (6535, -36, -37, -38)
1	67115	5-40 x 7/8" SHCS (6535, -36, -37, -38)
2	67120	3/8" Bearing (6535, -36, -37, -38)

Exploded View and Part Numbers—Headstock, Motor and Speed Control



TAPERED DOVETAIL-BASE HEADSTOCK P/N 65011





Shaft: .25" Diameter

If using a non-Sherline stepper motor, make sure to grind flats on the shafts as shown where the coupling and handwheel set screws contact the shaft.

Mounting Instructions

To mount the motor, start by turning the lead screw until the coupling set screw lines up with the access hole in the mount. Carefully insert the motor shaft into the coupling. With the flanges touching, rotate the stepper motor until the flat on the shaft is in alignment with the coupling set screw. Tighten the set screw. Rotate the motor to align with the motor with the 8-32 tapped holes. We usually attach the motor using three screws and use a zip tie in the fourth hole to secure the wire bundle.

If you decide to use Loc-tite® on the shaft set screw, a problem can occur if the motor has to be removed. What can happen is the shaft ends up glued to the coupling. If this occurs, loosen the preload nut until the motor and shaft can be backed out to expose the coupling so you can work on it. Be careful not to flex the coupling or it can break at the dampening slots.

SHERLINE SHERLINE PRODUCTS, INC.
STEPPER MOTOR MOUNT

DO NOT SCALE DRAWING !!!
 UNLESS OTHERWISE SPECIFIED
 DIMENSIONS ARE IN INCHES.
 TOLERANCES ARE:
 DECIMALS .00 ±0.006
 DECIMALS .000 ±0.003
 ANGLES 1°
 DEBURR HAND
 HEAT TREAT NONE
 FINISH BLACK ANODIZE

DRAWN	JOE MARTIN	SCALE	1 = 1	SIZE	A	PART NUMBER	67102	REV.	1998-09
CHECKED	JOE MARTIN	MATERIAL	3 5/16 ROUND 6061 T6	SHEET	1 of 1				
DESIGNER	JOE MARTIN								