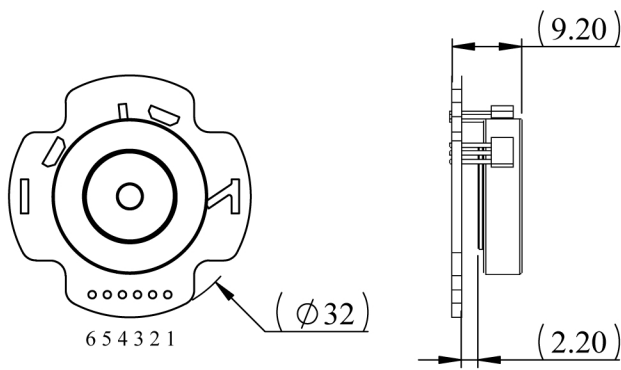


NE12 Magnetic Encoder Use Parameter



1	BLACK	Motor -
2	RED	Motor +
3	green	Ground
4	brown	Channel B
5	yellow	Channel A
6	orange	Sensor Voltage+

Note:

- 1.Leadwire:UL1007#24 6P long 195 ± 10 mm
- 2.Terminal:JST SPH-002T-P0.5L Equivalent
- 3.Housing:JST PHR-6 Equivalent

(unit:mm)

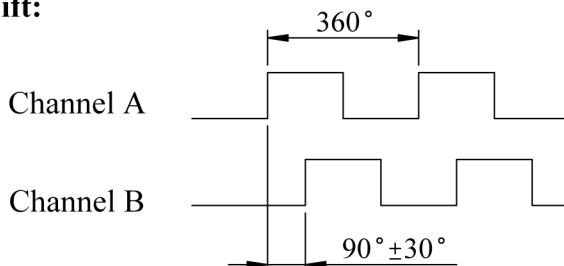
A. Operating Range:

	Symbol	Min	Typ	Max	Units
Operating Temperature Range	Ta	-40	~	125	°C
Storage Temperature Range	Ts	-65	~	150	°C
Operating Voltage Range	Vcc	2.4	~	26	V

B. Electrical Characteristics: (at 12V,at+25°C)

Characteristic	Symbol	Test Conditions	Typ	Max	Units
Output Saturation Voltage	Vout	Ic=10mA B>Bop	0.2	0.6	V
Output Leakage Current	Ileakage	B<Brp	<0.1	10	uA
Supply Current	Isupply	Output Open	2.0	5	mA
Output Rise Time	Tr	RL=2K Ohm CL=20Pf	1.0	10	us
Output Falling Time	Tf	RL=2K Ohm CL=20 Pf	0.3	1.5	us

C. Phase Shift:



D. Note:

- 1.The output signal is open collector structure.
- 2.The NE12 Encoder is build in 24 poles magnet.