

Phi-Robotics Research Pvt. Ltd.

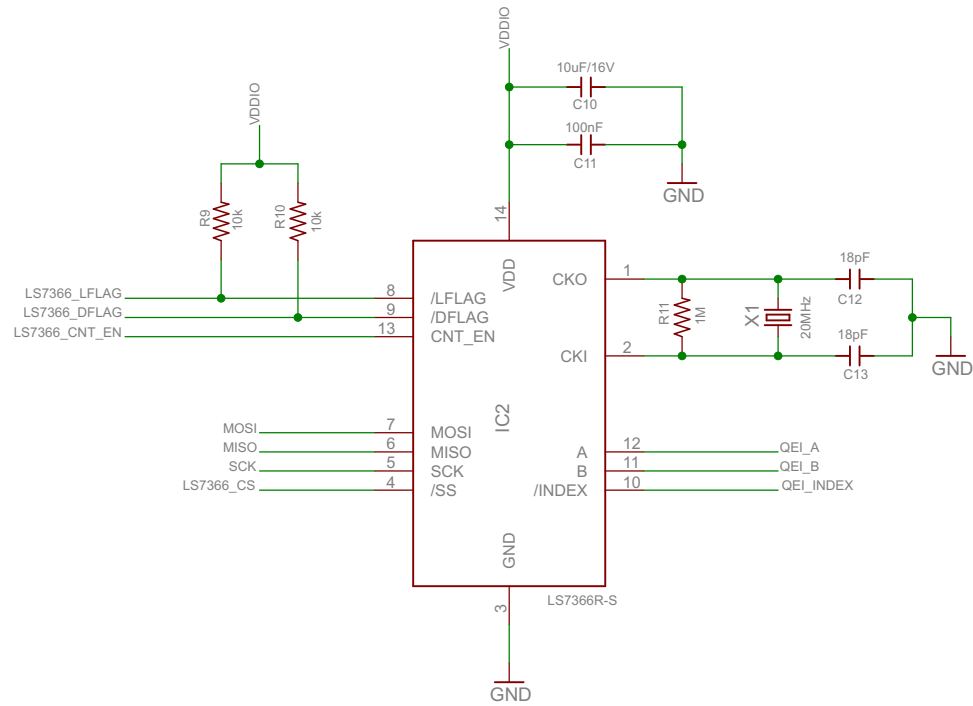
Cheetah

Ver 1.0

15-04-13

Sheet 1

Motor Controller Section



Phi-Robotics Research Pvt. Ltd.

Cheetah

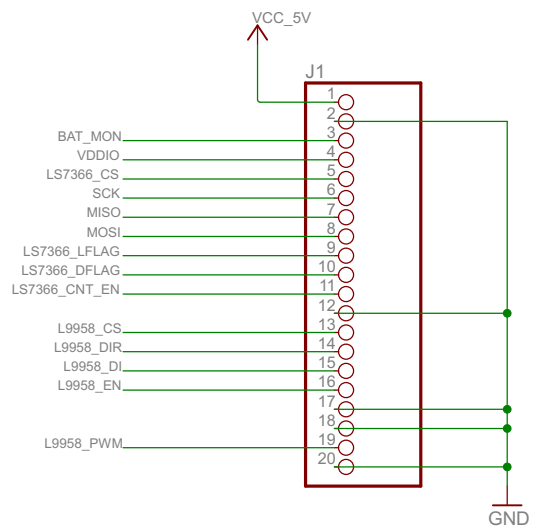
Ver 1.0

Quadrature Encoder Section

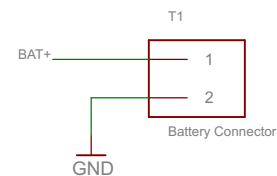
15-04-13

Sheet 2

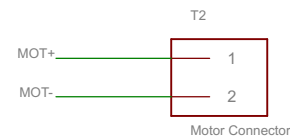
### 20-Pin FRC Box for Host connectivity



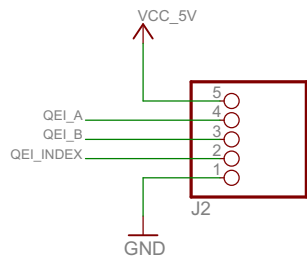
### Battery Supply



### Motor Connector



### QEI Interface



Phi-Robotics Research Pvt. Ltd.

Cheetah

Ver 1.0

15-04-13

Sheet 3

Connectors Section