

11T timer pulley

Version1.0

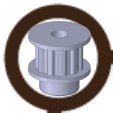
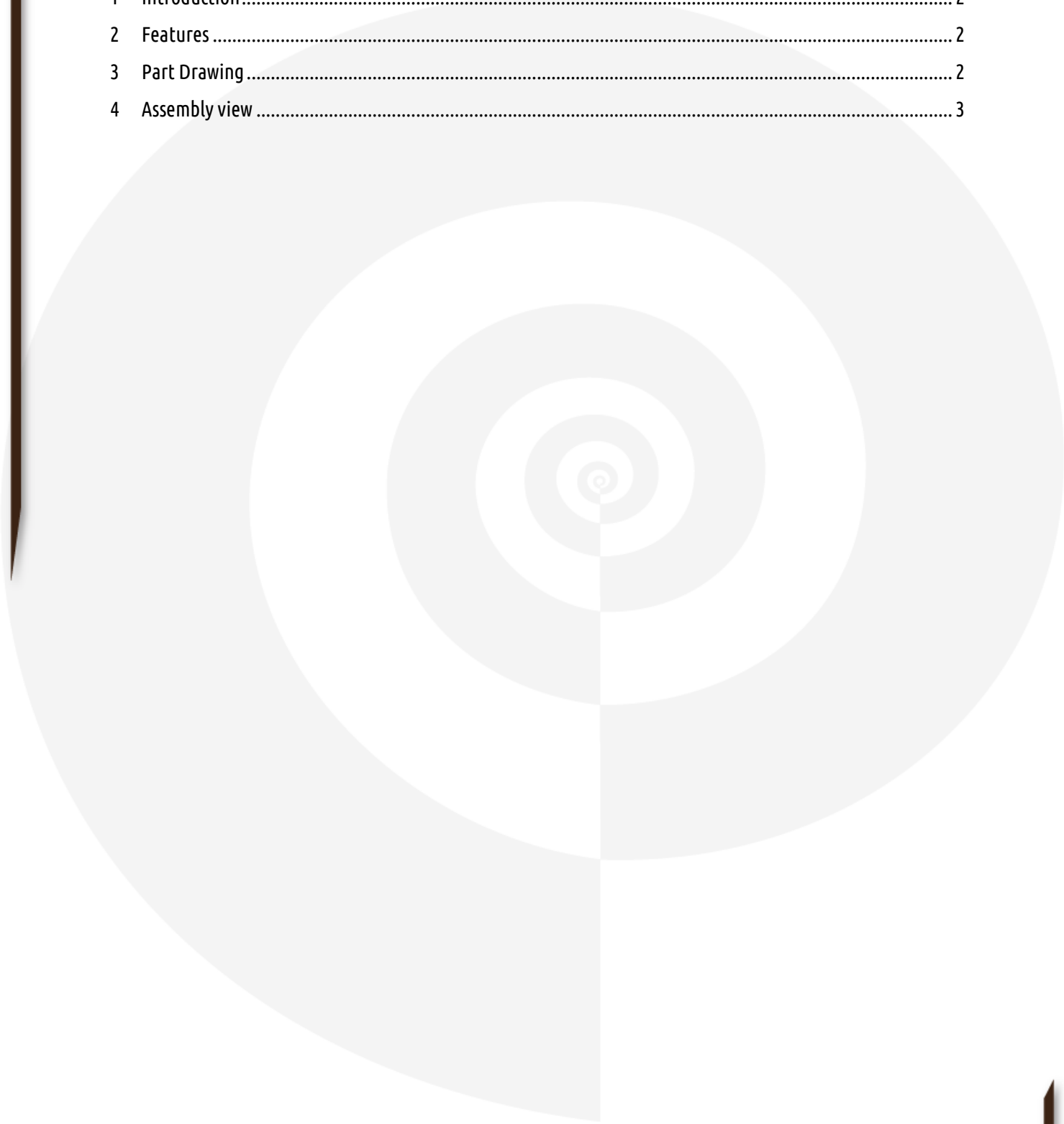


Table of Contents

1	Introduction.....	2
2	Features.....	2
3	Part Drawing.....	2
4	Assembly view.....	3



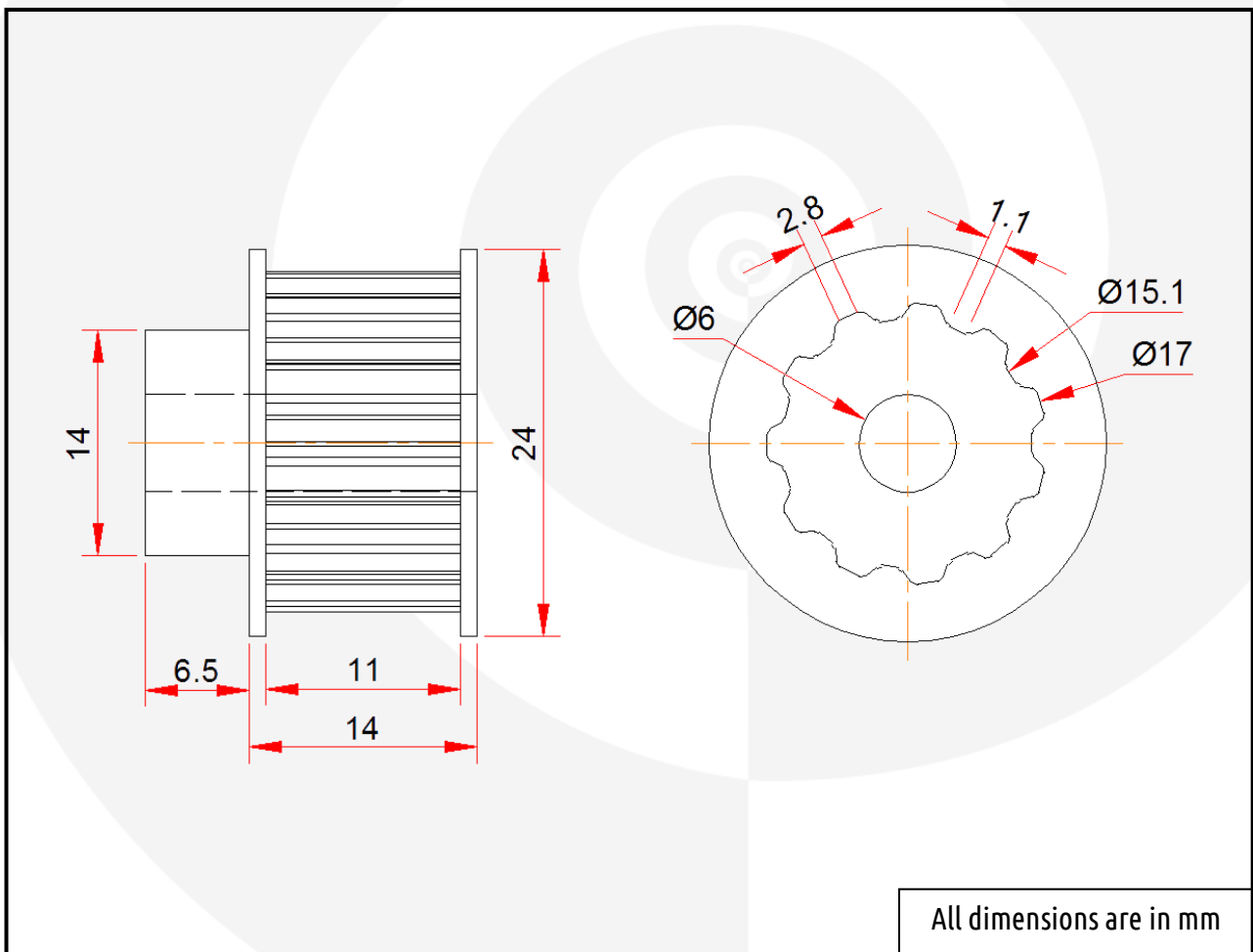
1 Introduction

Timer Pulley 11T is mainly used to support movement in robots with the help of other timer pulley and timing belt.

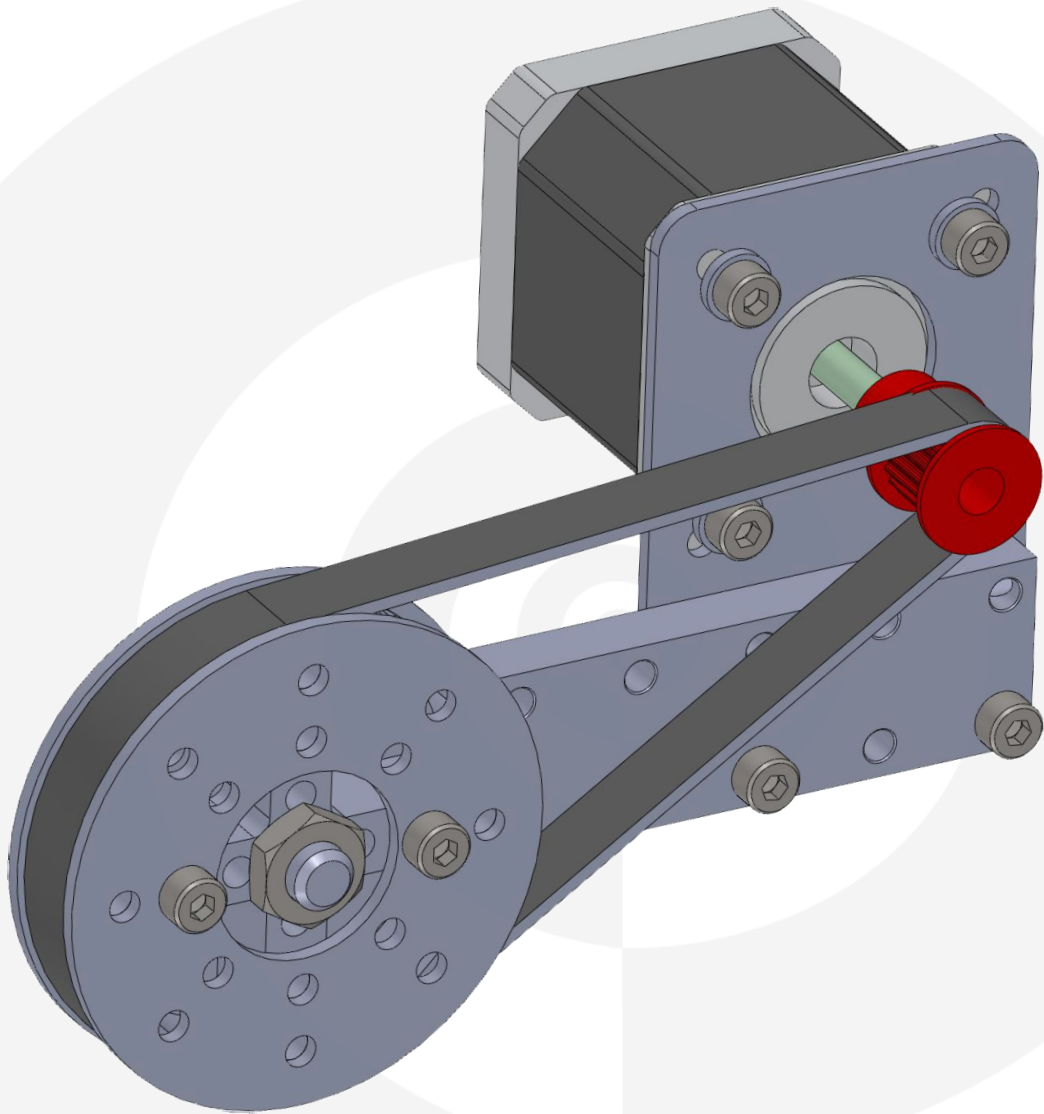
2 Features

- Made from Delrin
- 11 tooth timer pulley with centre diameter of 6mm
- Compatible with XL timing belt
- Weight of 11T timer pulley is 5gms

3 Part Drawing



4 Assembly view





Phi Robotics Research Pvt. Ltd.

www.phi-robotics.com