

60T Timer pulley (MXL)

Version1.0



Table of Contents

1	Introduction.....	2
2	Features.....	2
3	Part Drawing.....	2
4	Assembly view.....	3



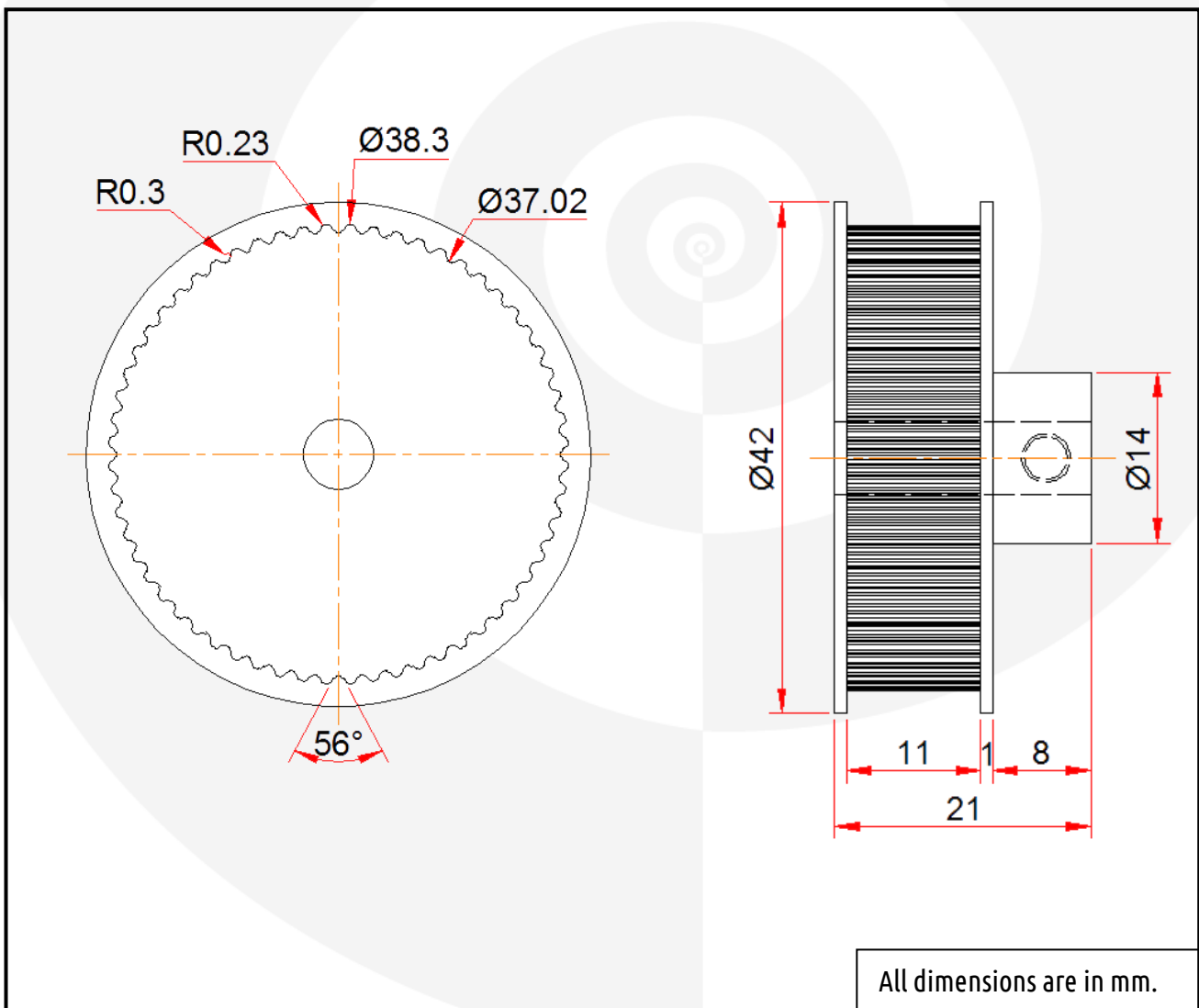
1 Introduction

Timer Pulley 60T is mainly used to support movement in robots with the help of other timer pulley and timing belt.

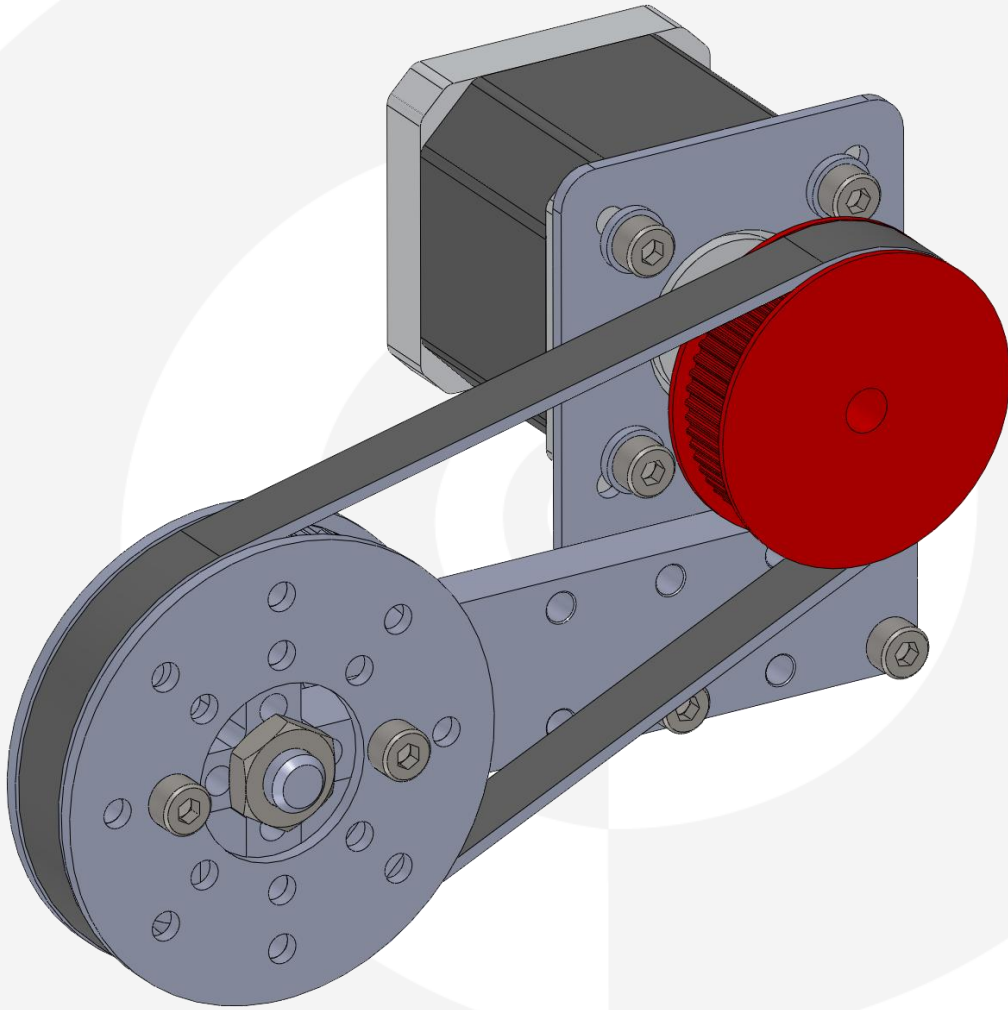
2 Features

- Made from Delrin
- 60 tooth timer pulley with centre diameter of 6mm
- Compatible with MXL timing belt
- Weight of 60T timer pulley is 15gms

3 Part Drawing



4 Assembly view





Phi Robotics Research Pvt. Ltd.

www.phi-robotics.com