

Mac wheel

Version 1.0



Table of Contents

1	Introduction.....	2
2	Features.....	2
3	Size chart.....	2
4	Part drawing – Mac wheel.....	2
5	Part drawing – O ring.....	3
6	Mac wheel – Assembly view and Exploded view.....	4
6.1	Assembly View.....	4
6.2	Exploded View.....	4



1 Introduction

The inner part of Mac Wheel is made from high quality anodized Aluminium while the outer part, O Ring, is made from high quality polyurethane. Mac wheel is mainly used in robots as robot wheel.

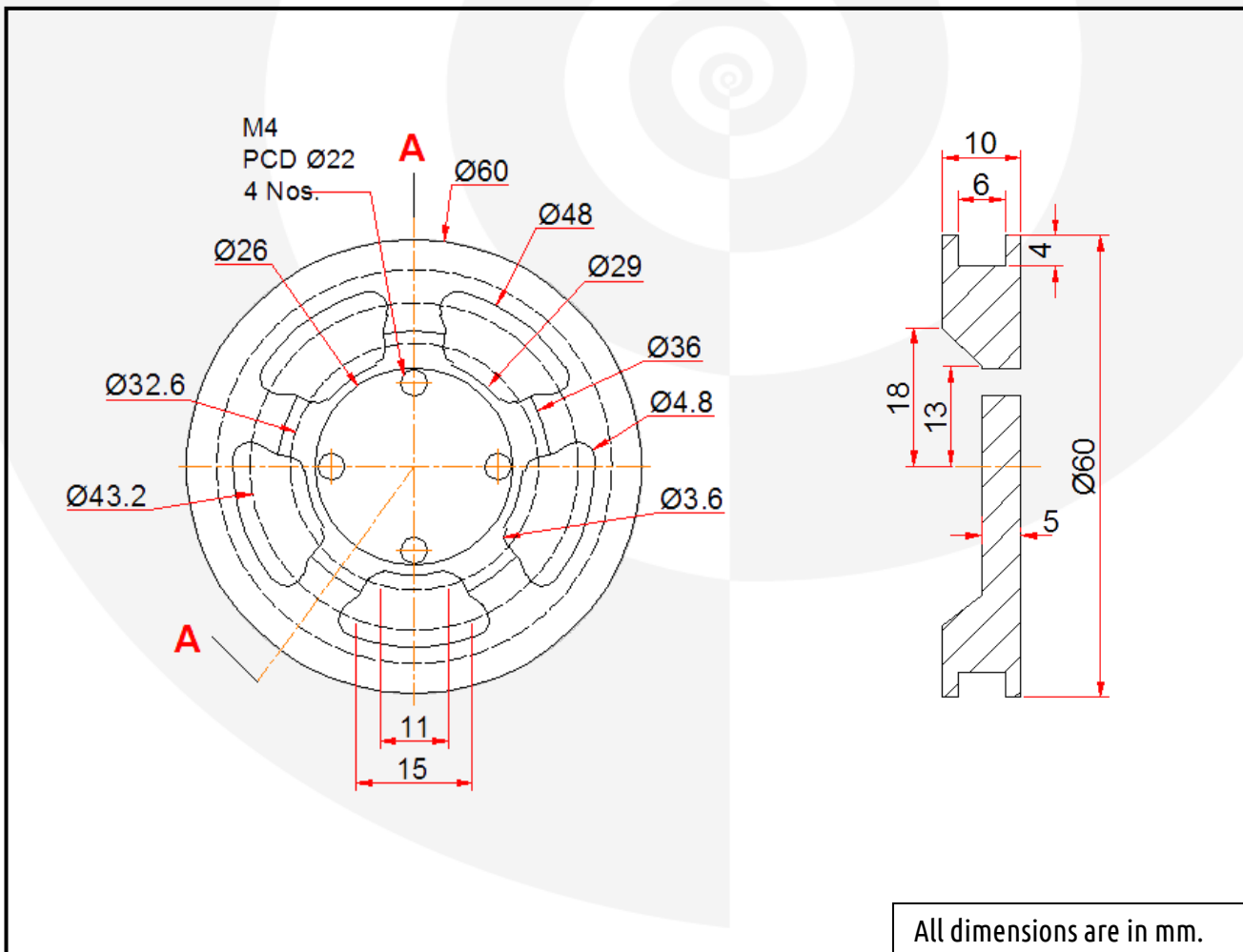
2 Features

- Made from 6082 T6 Aluminum with anodized surface

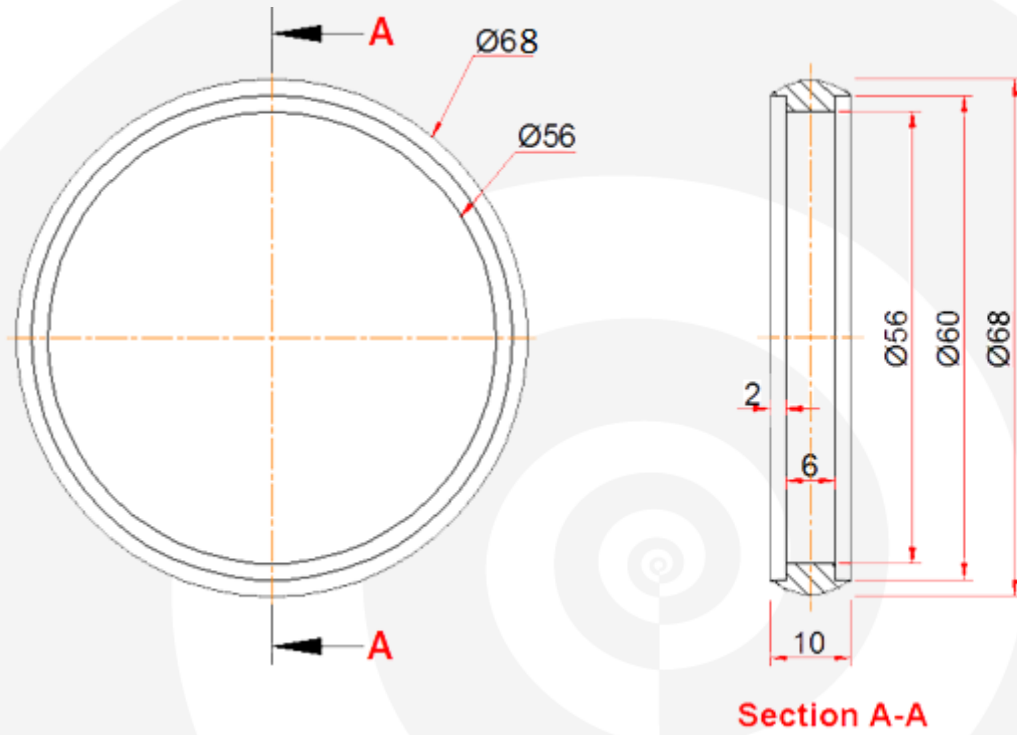
3 Size chart

Sr. No.	Mac wheel	Outer diameter (mm)	Weight (gms)
1	Wheel 60	Ø68	50
2	Wheel 100	Ø106	105

4 Part drawing – Mac wheel



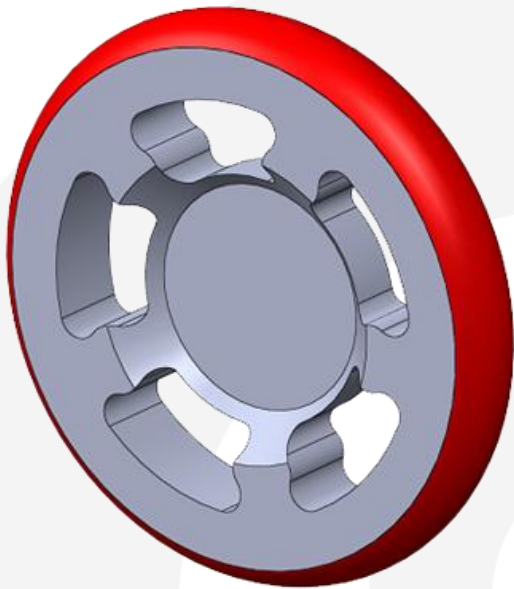
5 Part drawing – O ring



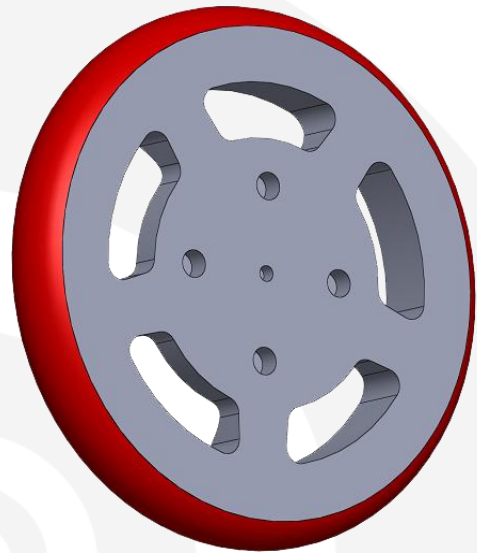
All dimensions are in mm.

6 Mac wheel – Assembly view and Exploded view

6.1 Assembly View

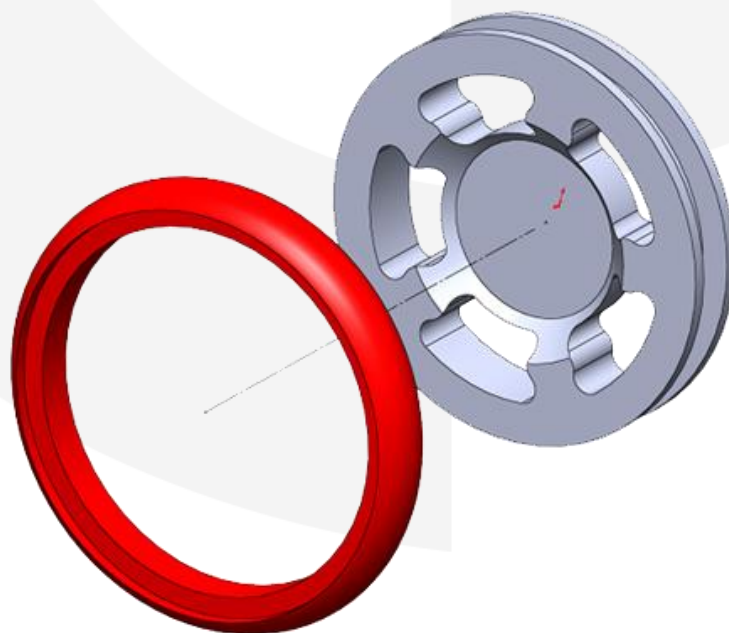


Front view



Back view

6.2 Exploded View





Phi Robotics Research Pvt. Ltd.

www.phi-robotics.com