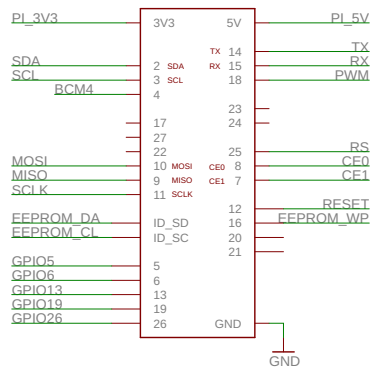
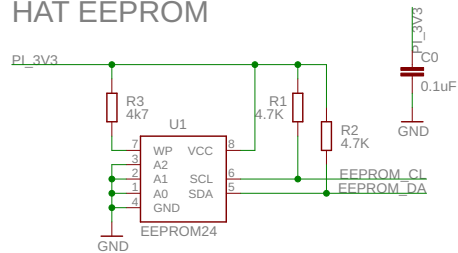


Breakout Garden HAT (I2C+SPI), PIM445

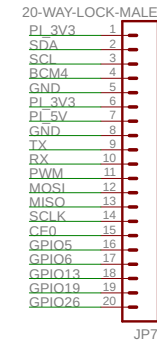
Raspberry Pi connector



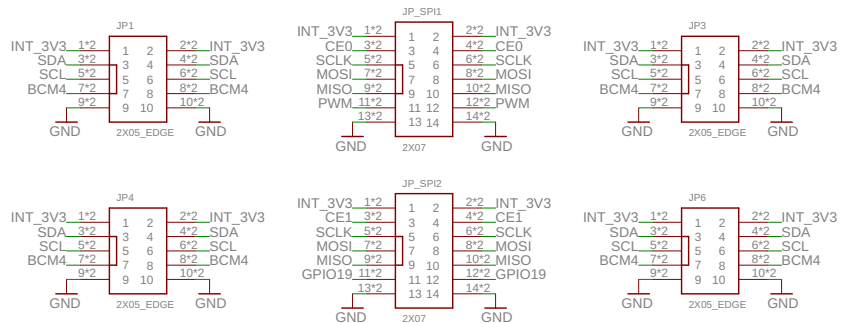
HAT EEPROM



GPIO extension header



Breakout Garden connectors



5V -> 3V3 Buck DC/DC converter

