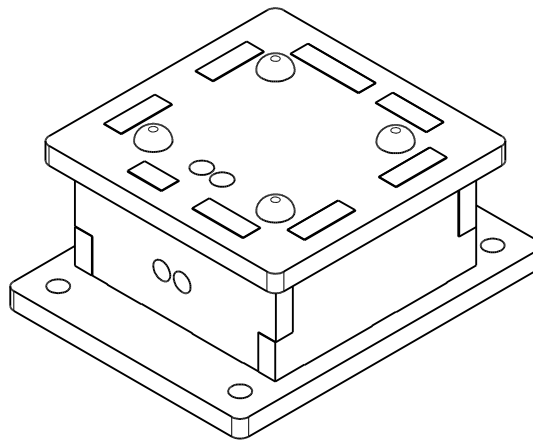
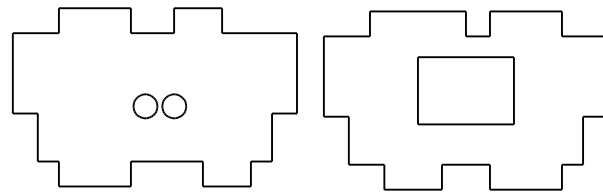
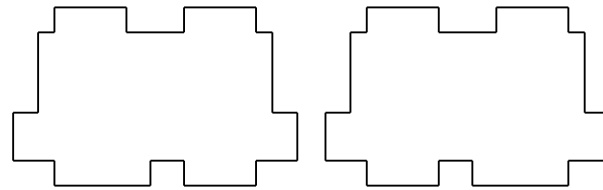
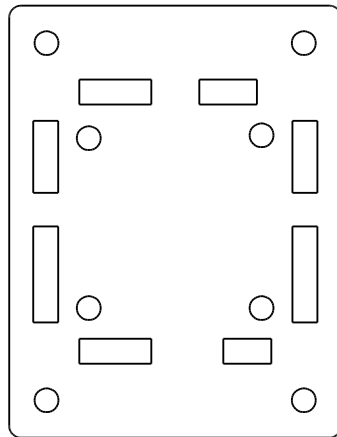
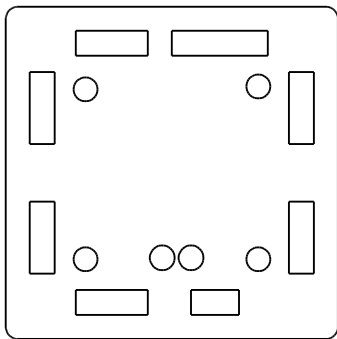



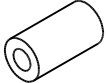


Phidget Enclosure Assembly Instructions

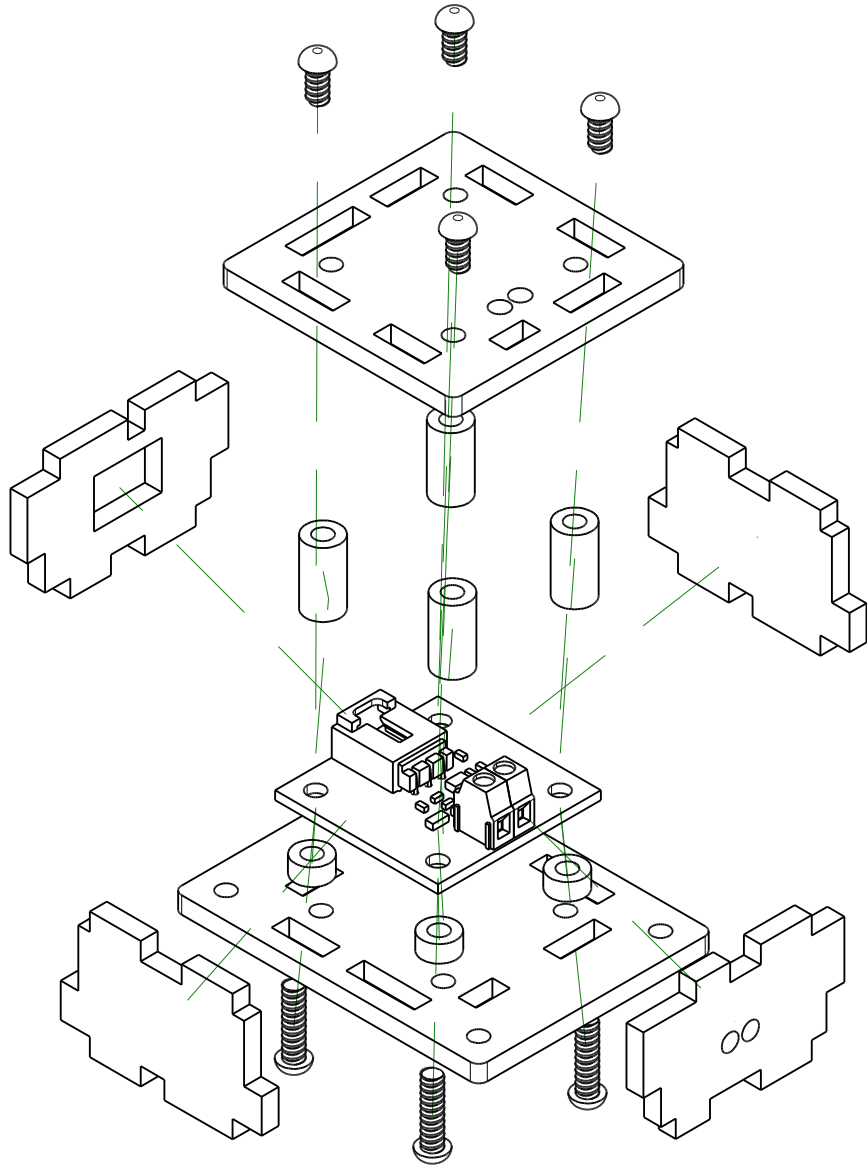
PN 3827 : Acrylic Enclosure for the 1135 Voltage Sensor



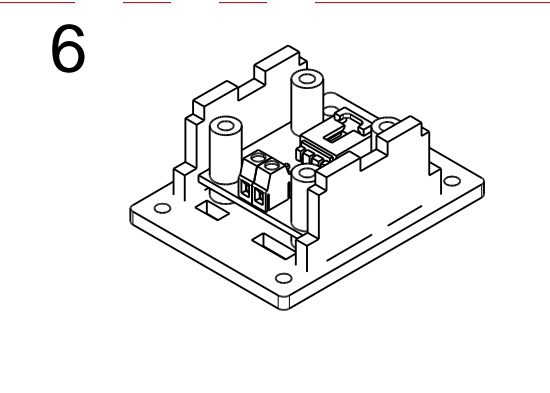
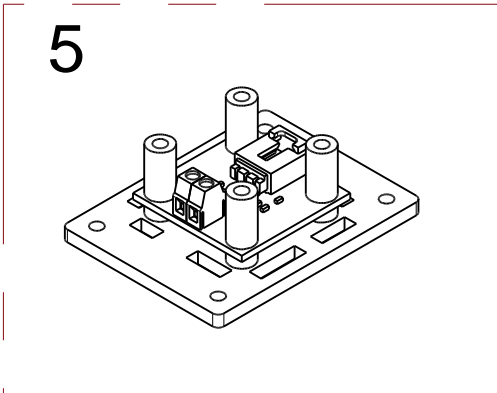
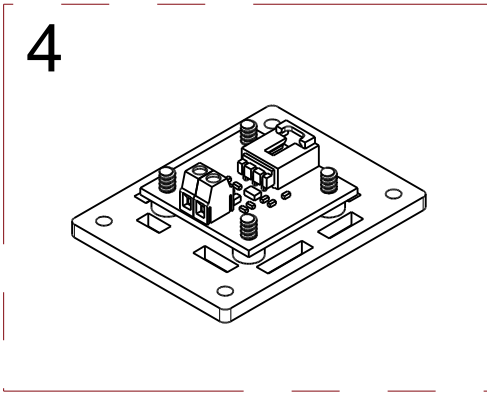
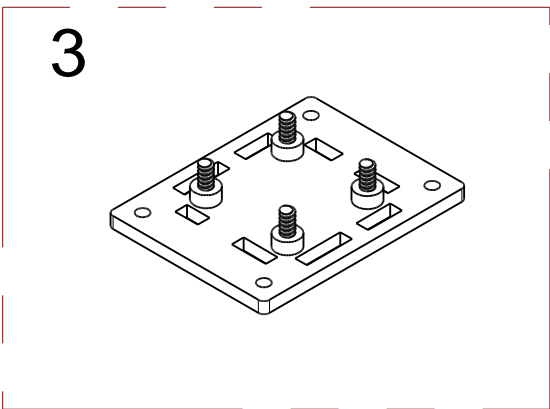
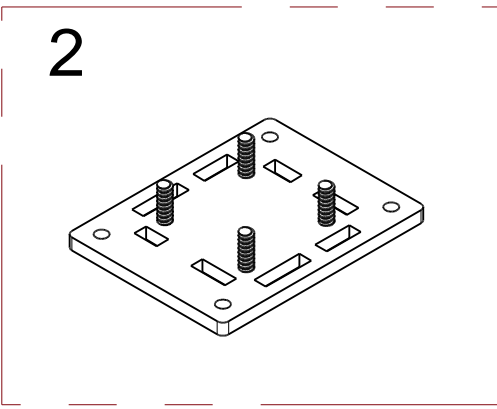
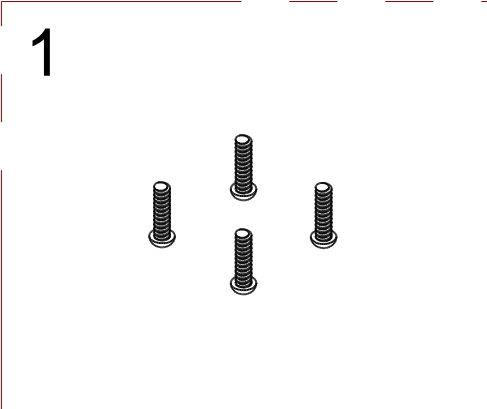
Contents of Enclosure Kit



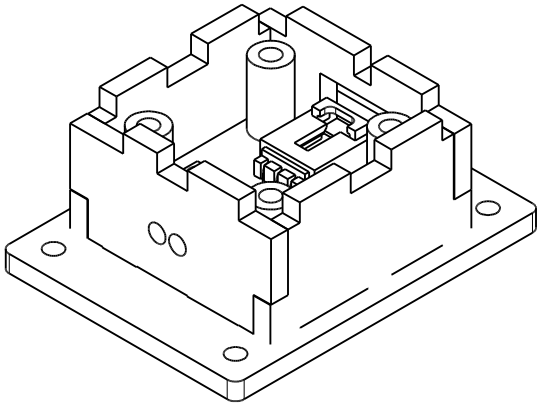
-  x4
-  x4
-  x4
-  x4



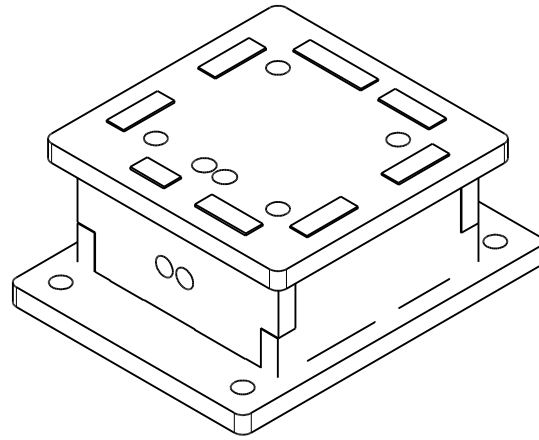
Assembly Instructions



7



8



9

