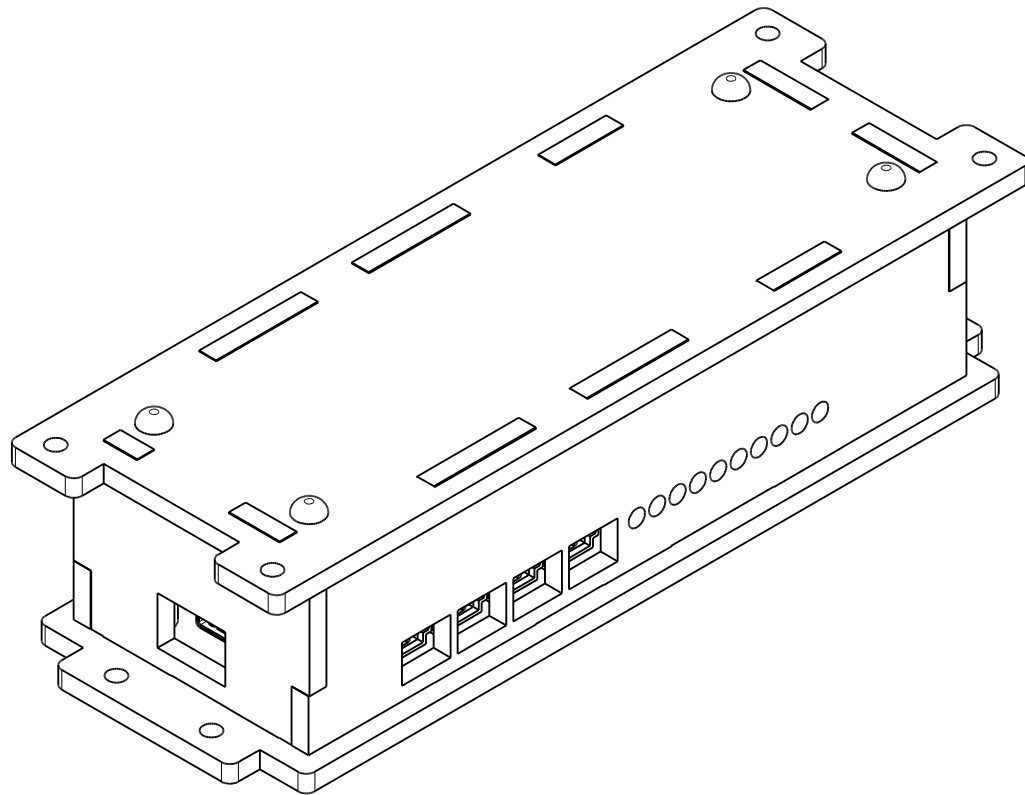
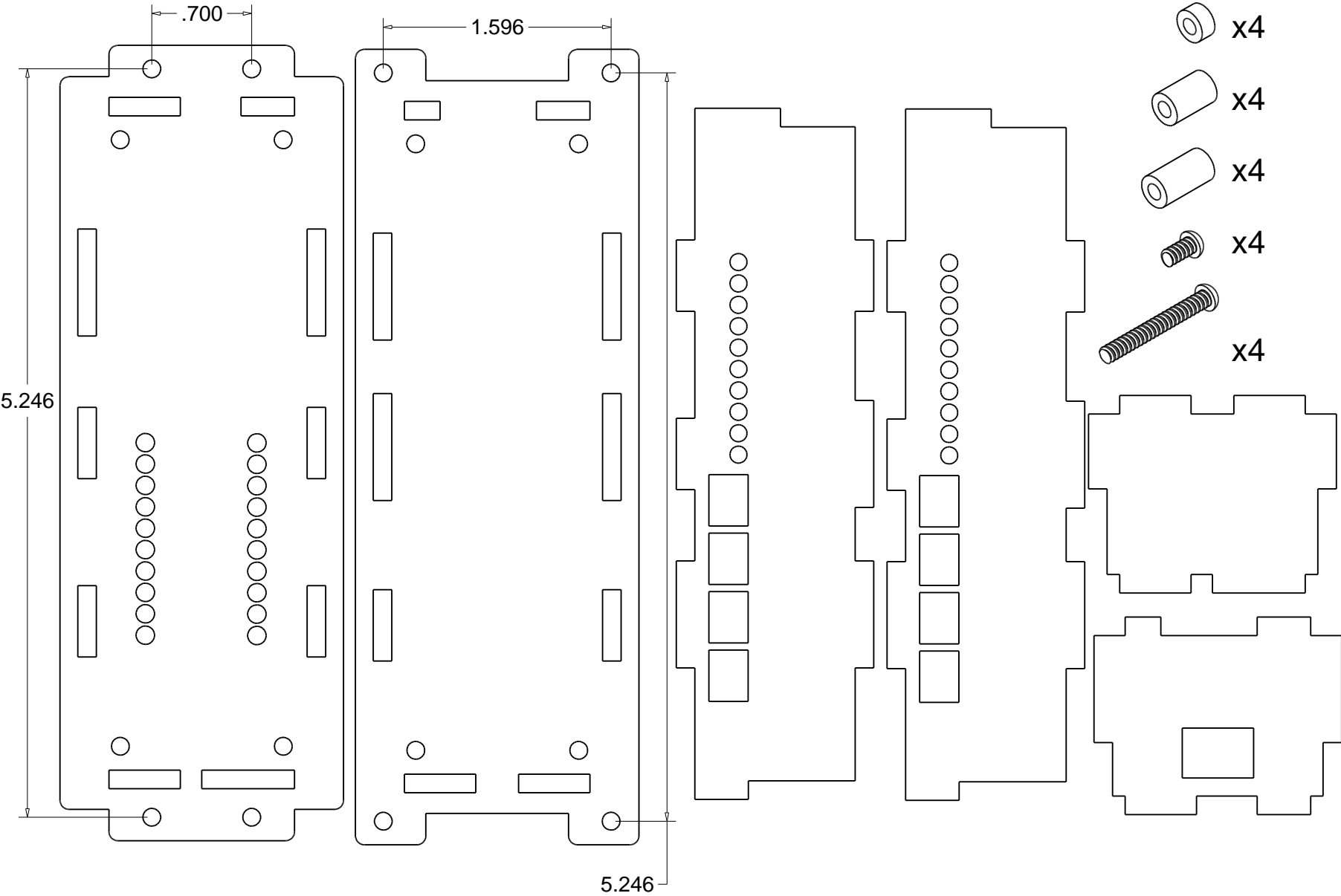


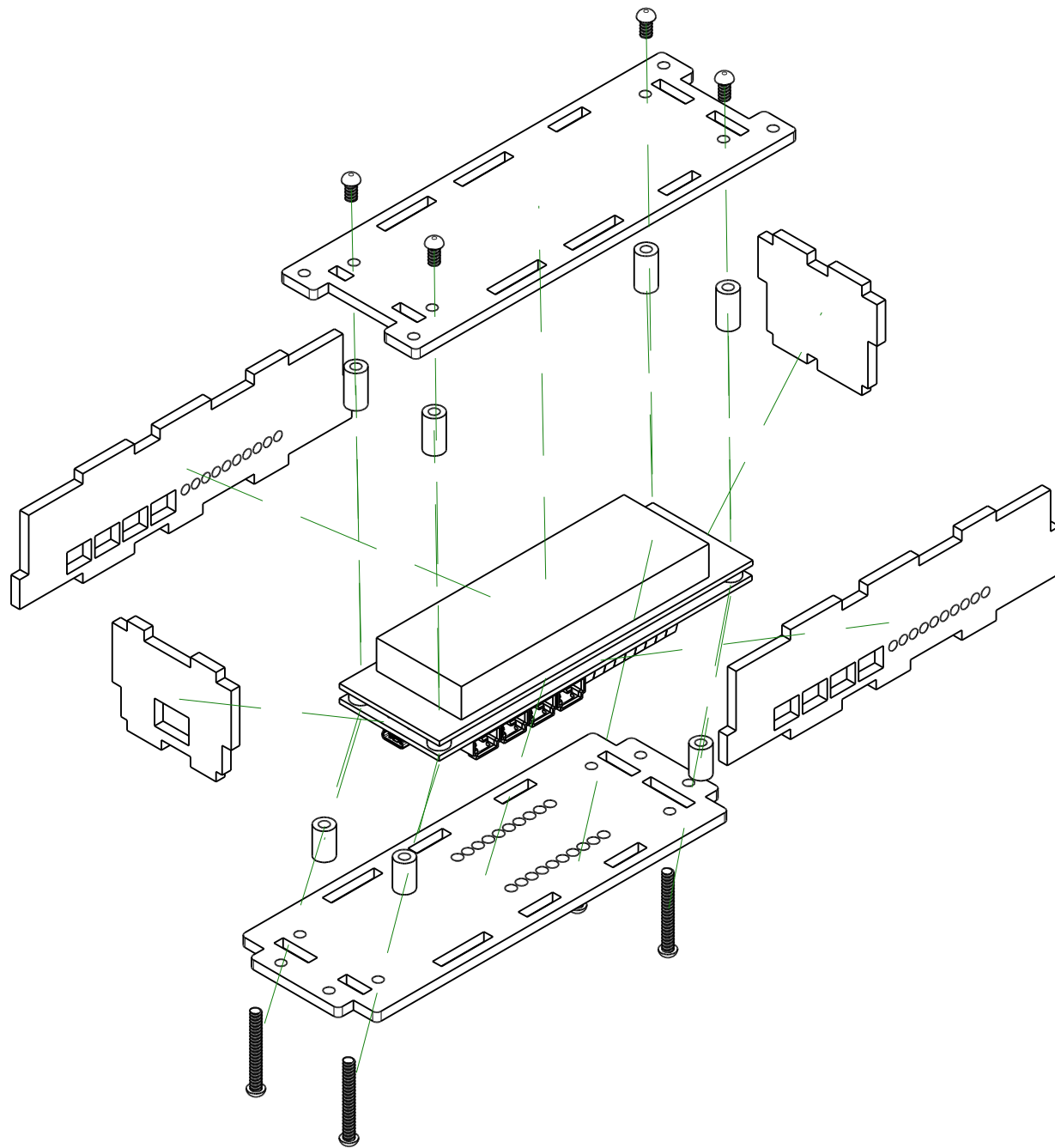
# Phidget Enclosure Assembly Instructions

PN 3818 : Acrylic Enclosure for the 1203 PhidgetTextLCD w/ 8/8/8

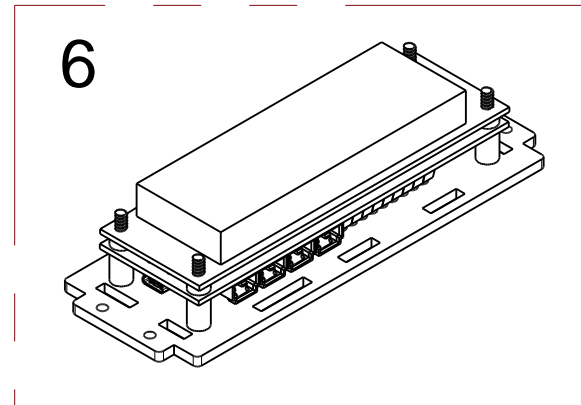
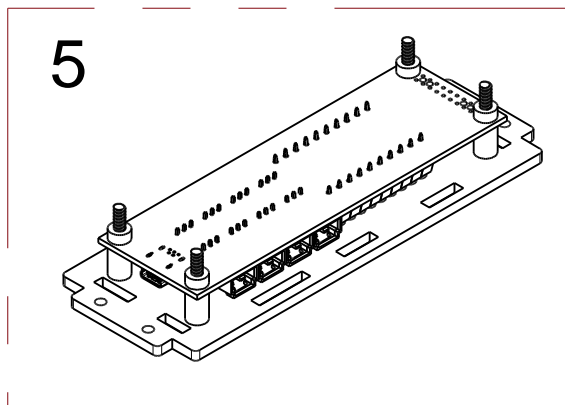
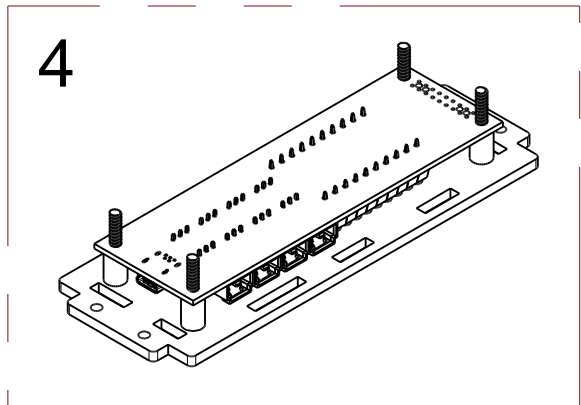
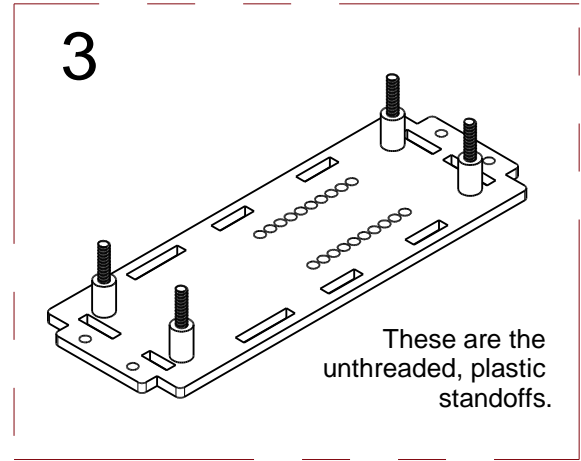
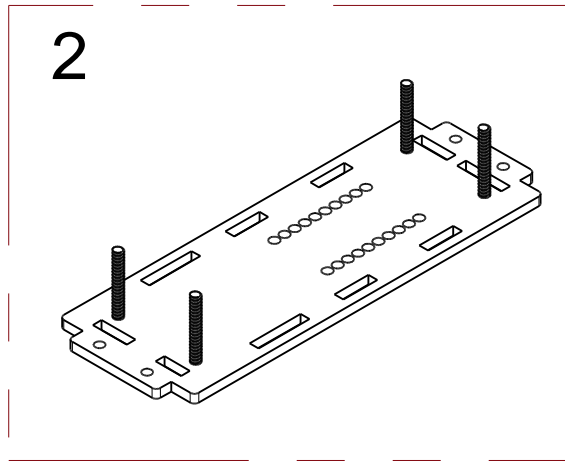
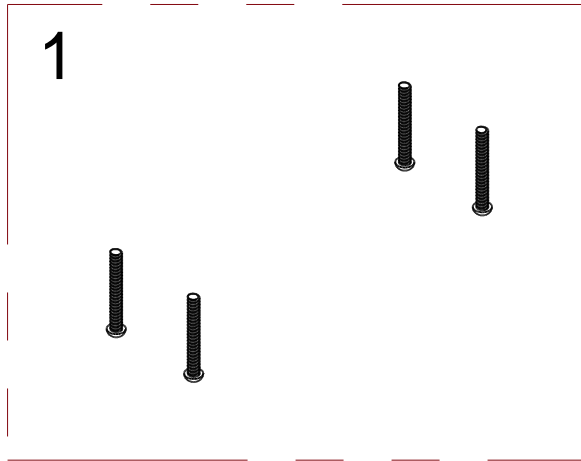


# Contents of Enclosure Kit

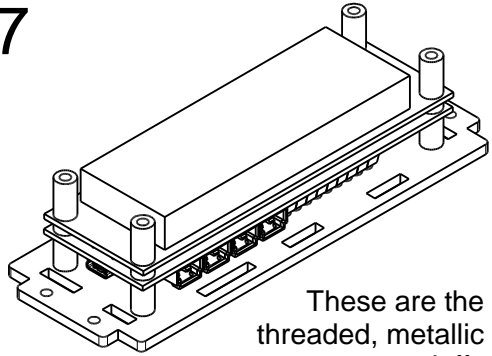




# Assembly Instructions

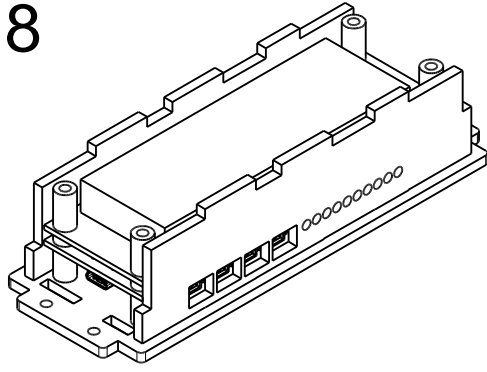


7

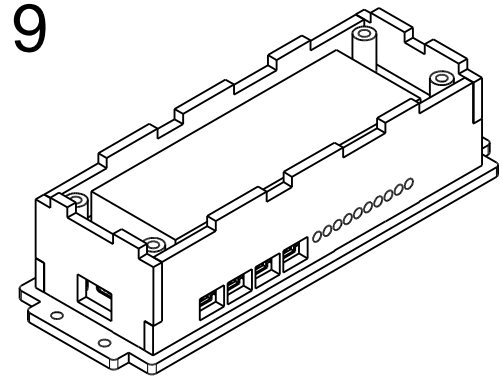


These are the threaded, metallic standoffs.

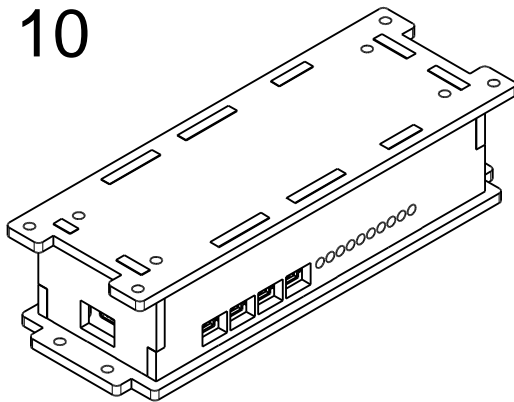
8



9



10



11

