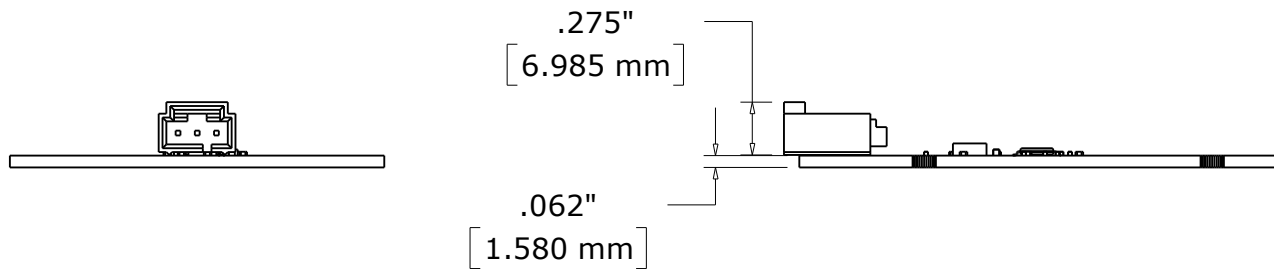
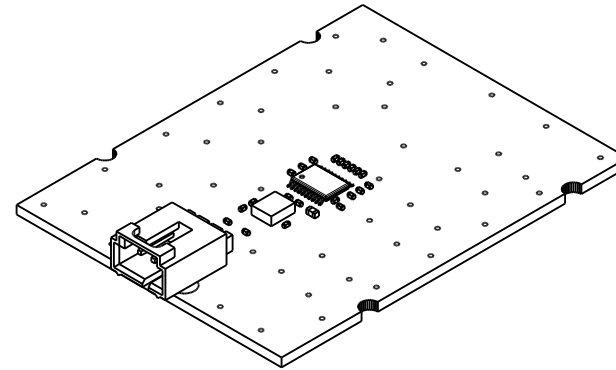
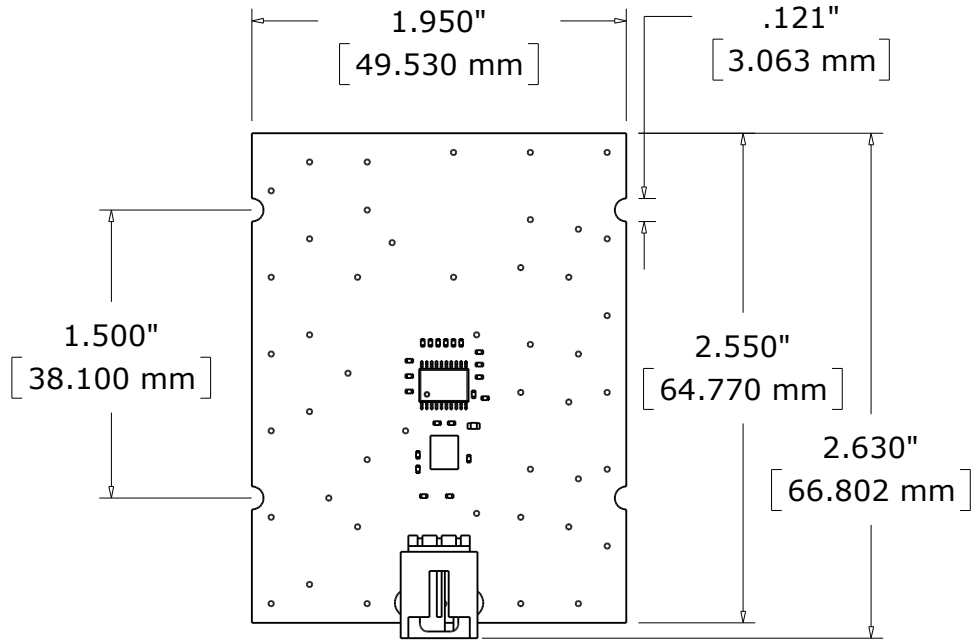


HIN1000_0 Mechanical Drawing



HIN1000_0 Enclosure Mechanical Drawing

