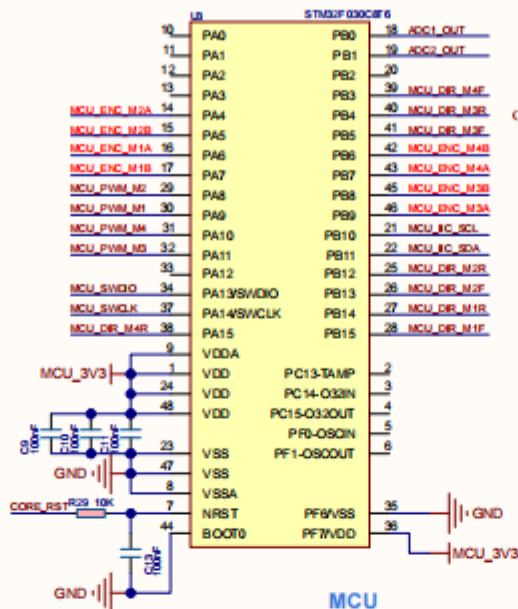
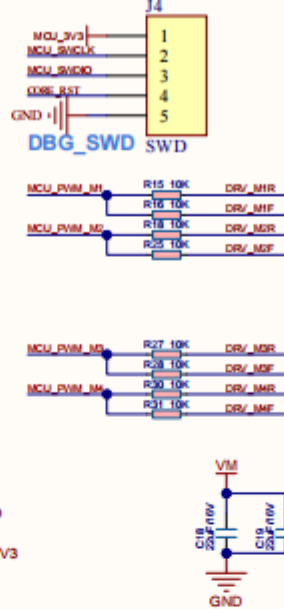


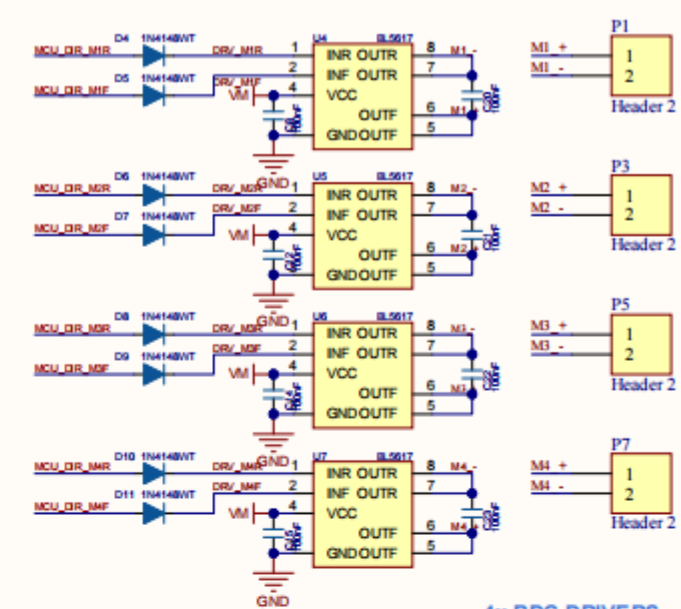
CORE_BUS



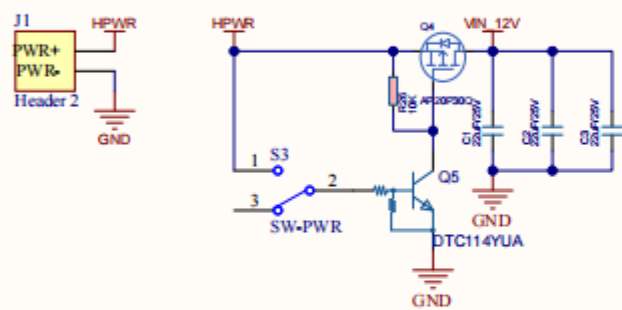
MCU



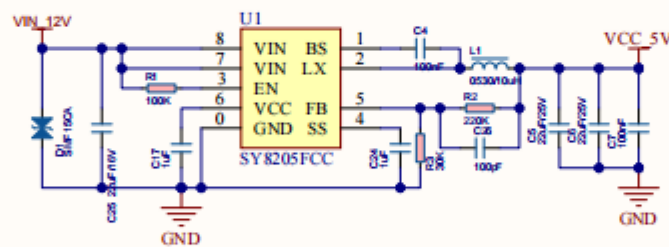
DBG_SWD SWD



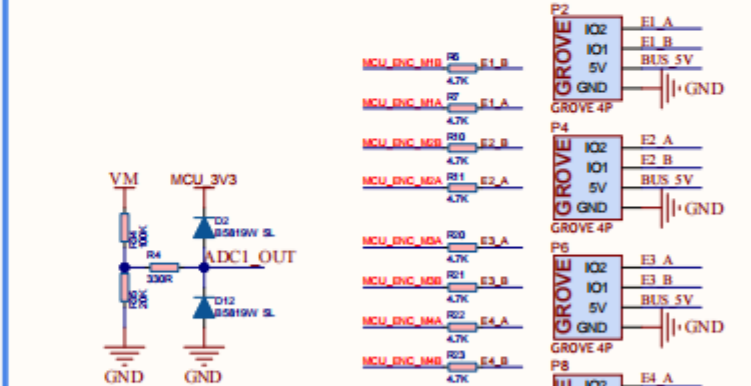
4x BDC DRIVERS



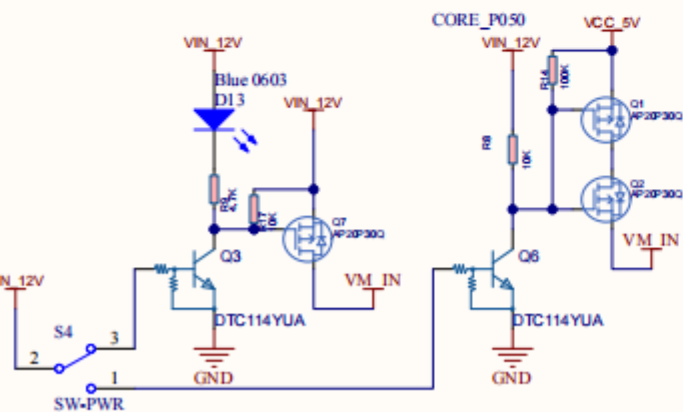
POWER & SWITCH



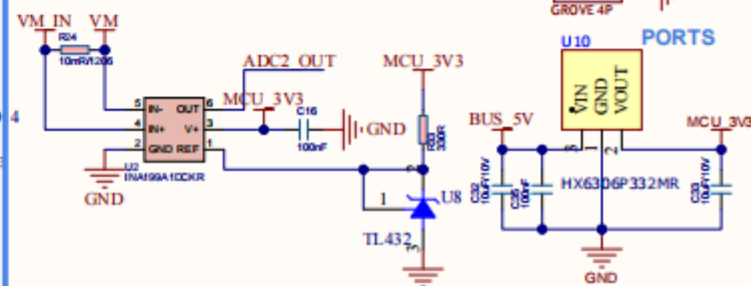
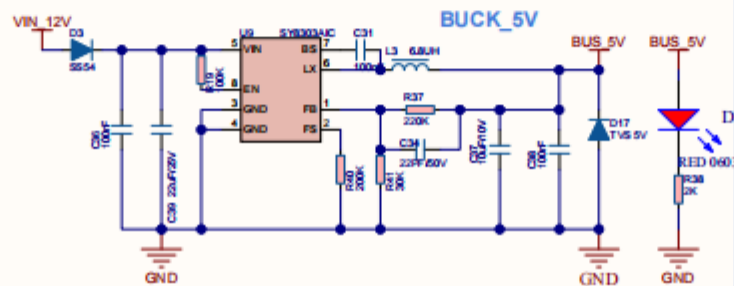
BUCK_5V



PORTS



VM SWITCH



PORTS