





MTS Sprocket: 15T, 6mm Small Hub

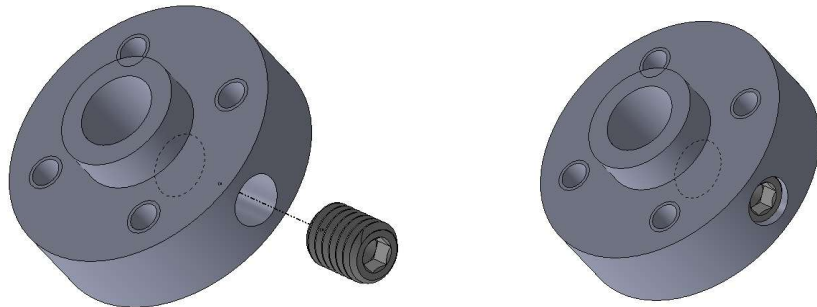


Assembly Guide (RB-Lyn-913)

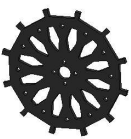


V1.0 August 2016

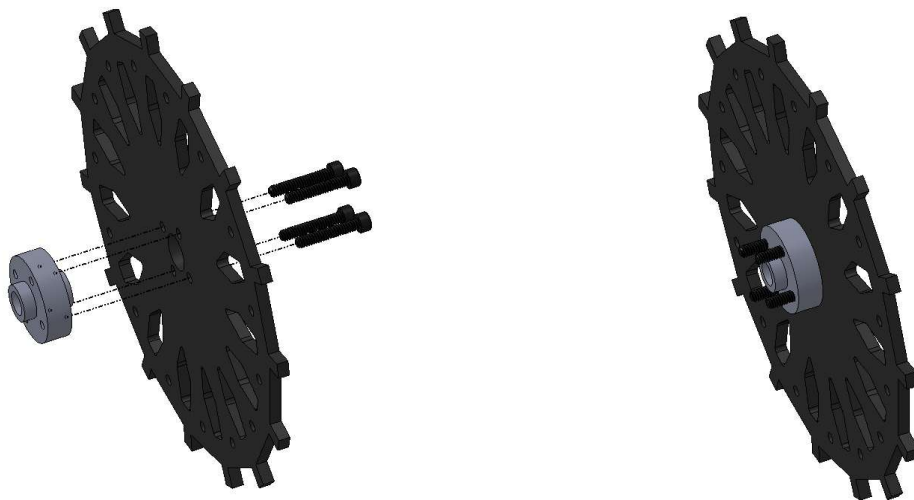
STEP 1: Thread set screw into hub

| | |
|---|---|
|  |  |
| 1x RB-Ama-01 | 1x RB-TeX-48 |
| 6mm Hub | 10-32 x 1/4" Set S |

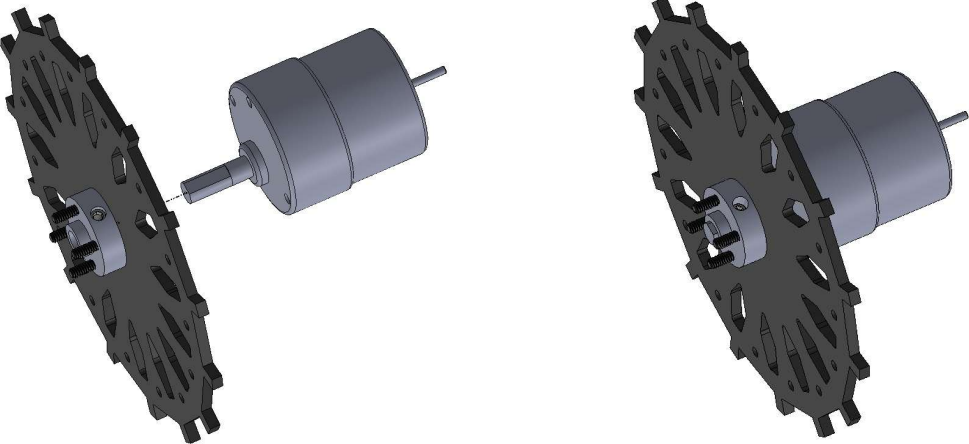


STEP 2: Connect hub to sprocket wall



| | | |
|--|---|---|
|  |  |  |
| 1x RB-Lyn-909 | 4x RB-TeX-20 | 4x RB-TeX-12 |
| 15T-Lexan-S | 4-40x5/8" SHCS | 4-40x1/4" LN |

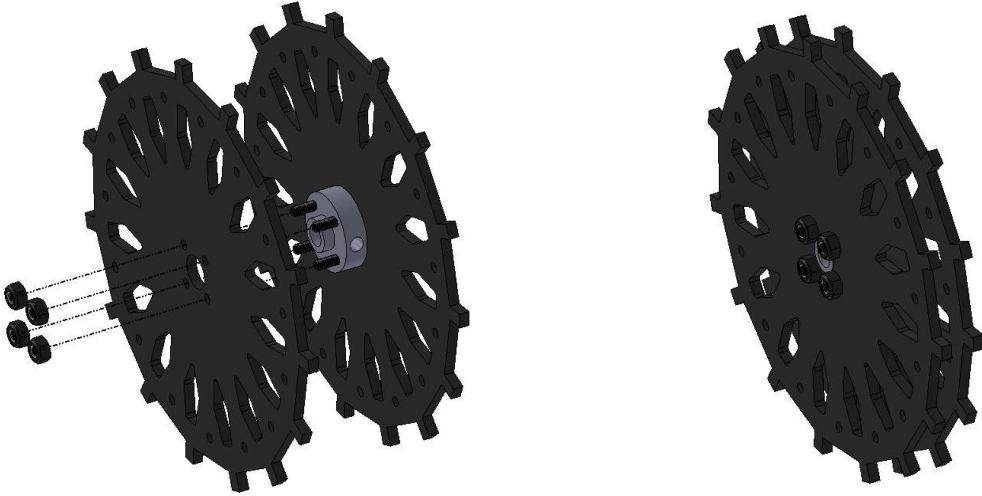


STEP 3 (optional): Connect sprocket sub-assembly to motor shaft & secure set screw to flat






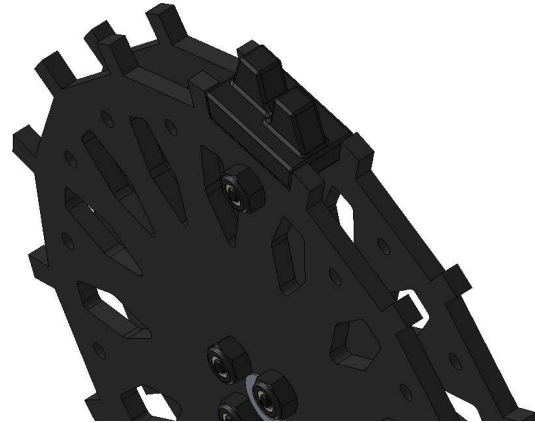
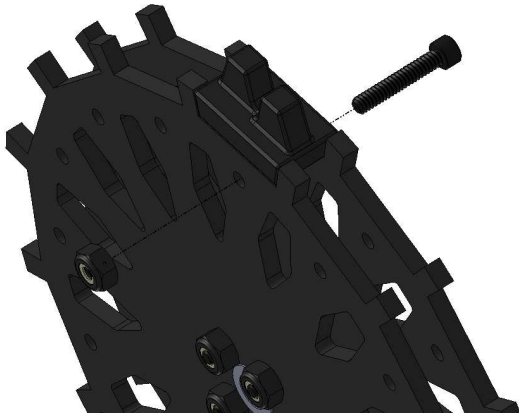
STEP 4: Add second sprocket wall

| | |
|---|---|
|  |  |
| 1x RB-Lyn-909 | 4x RB-TeX-12 |
| 15T-Lexan-S | 4-40x1/4" LN |






STEP 5: Attach tooth

| | | |
|---|---|---|
|  |  |  |
| 1x RB-Skj-01 | 1x RB-TeX-20 | 1x RB-TeX-12 |
| MTS Tooth | 4-40x5/8" SHCS | 4-40x1/4" LN |



STEP 6: Attach remaining teeth

| | | |
|---|---|---|
|  |  |  |
| 14x RB-Skj-01 | 14x RB-TeX-20 | 14x RB-TeX-12 |
| MTS Tooth | 4-40x5/8" SHCS | 4-40x1/4" LN |

