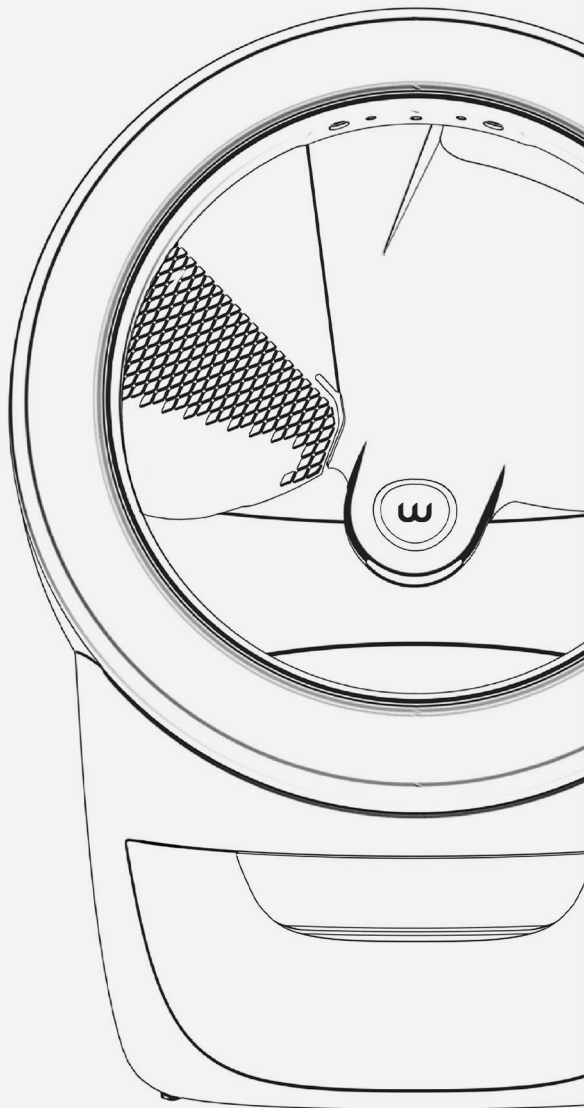


# **litter·robot® 4**

by whisker

## **Instruction Manual**

Whisker.com





## Thank you for purchasing a Whisker product!

This manual will help you get the most out of your Litter-Robot. We will guide you through the setup process, as well as provide you with useful tips and advice for acclimating your cat to their new automatic, self-cleaning litter box.

Whisker exists to make life for pets and pet parents endlessly better. As the leading innovators in pet tech and refined pet accessories, we work tirelessly to solve problems and deliver smarter insights for pet parents while enriching the lives of pets.

Enjoy your Litter-Robot, and enjoy a better life with your pet!



**Jacob**  
President & CEO



**Brad**  
Founder & Chief Inventor





## Important Safety Instructions

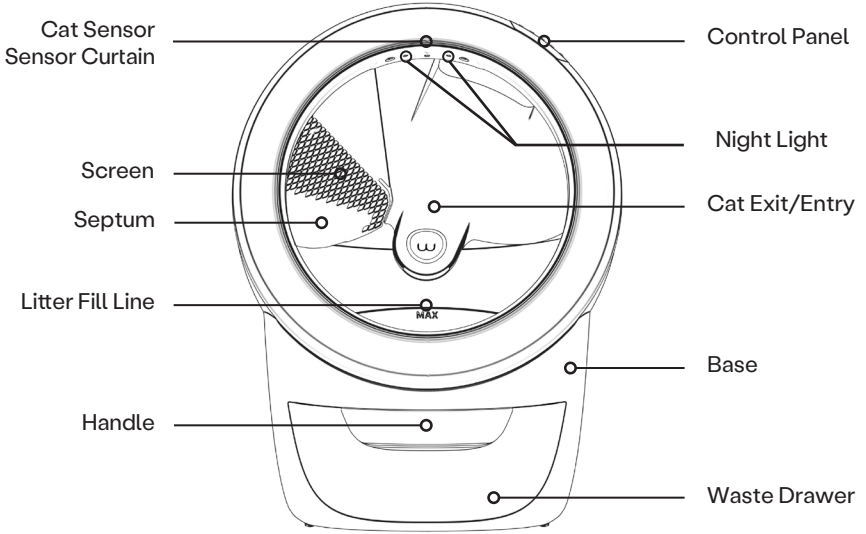
- **Always** be sure any cat or kitten in your household that might use the Litter-Robot weighs at least 3 pounds. Cats must weigh 3 pounds or more to safely use the Litter-Robot in Automatic Mode.
- **Always** place the Litter-Robot on a firm, level surface. Avoid soft, uneven, or unstable flooring, which may affect the ability of the unit to detect your cat. If using litter mats or rugs, place in front of, or completely under, the unit. Do not place mats partially under the unit. Use only low pile (1/4 inch) rugs and mats.
- **Always** unplug the unit before servicing.
- **Never** force your cat into the Litter-Robot.
- **Never** put anything in the unit other than clumping litter or litter beads and crystals that are small enough to pass through the screen.
- **Never** sit on or place anything on top of the Litter-Robot.
- **Never** push the Litter-Robot against a wall or into a corner (should not be touching any walls for accurate weight measurements).
- **Never** wet or submerge the Bonnet or Base.
- **Never** allow children and persons with reduced physical, sensory, or mental capabilities or lack of experience and knowledge use, clean, or maintain the Litter-Robot without supervision, instruction concerning its use in a safe way, and understanding of the hazards involved. Children younger than 8 years of age should not be allowed contact with the Litter-Robot.
- **Never** allow children or others to play with the Litter-Robot.
- **Never** use an external power supply other than the one provided with the unit.
- If the external power supply is damaged, please contact us for a replacement.



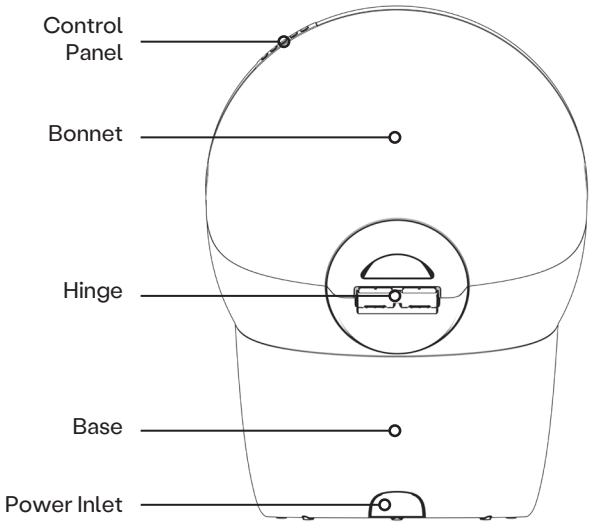
## Table of Contents

Important Safety Instructions.....	5
Components and Dimensions.....	8
Setting Up Your Litter-Robot.....	12
Introducing Your Cat to the Litter-Robot .....	14
Ongoing Maintenance.....	15
Cycles.....	16
Control Panel - Button Functions.....	18
Power Button .....	18
Cycle Button .....	18
Reset Button.....	19
Empty Button .....	19
Connect Button.....	19
Control Panel - Light Bar.....	20
Sensors and Functions .....	21
Cat Presence .....	22
Drawer Full Indicator .....	22
Litter Level.....	23
Automatic Night Light .....	23
Sleep Mode .....	24
Wait Time Setting.....	24
Control Panel Lockout.....	25
Whisker App.....	26
Safety Features .....	27
Use and Care.....	29
Frequently Asked Questions.....	34
In-Home Trial.....	37
Contacting Customer Service .....	37

# Components

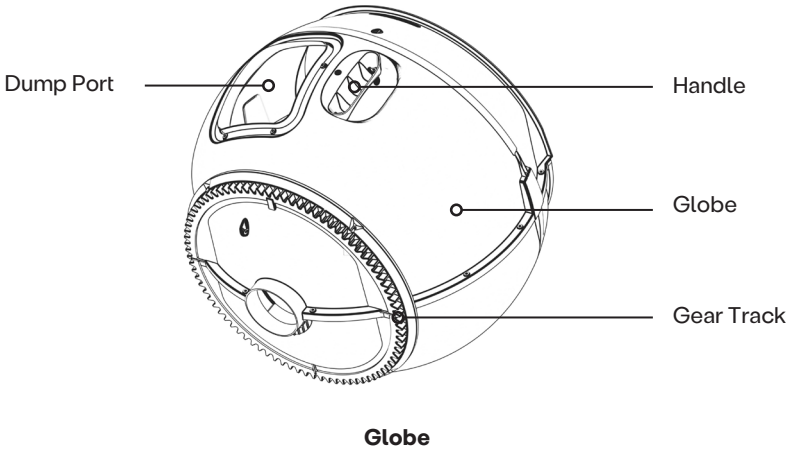
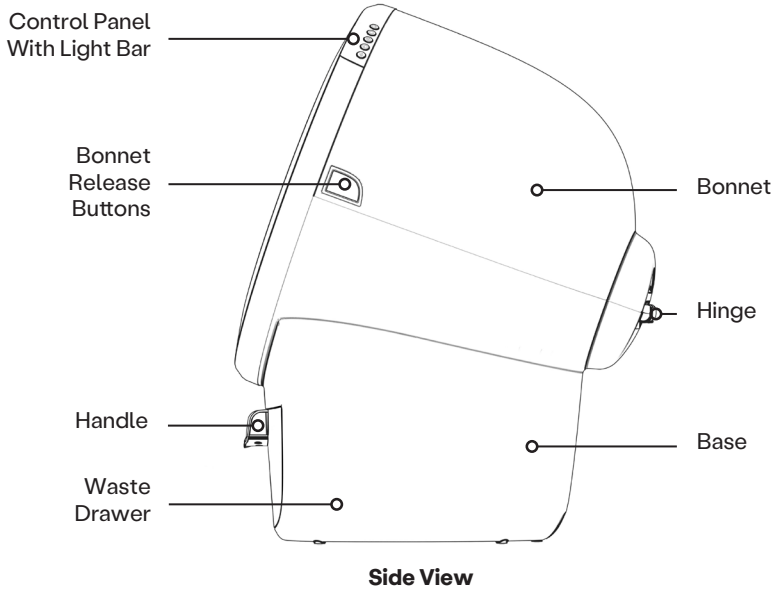


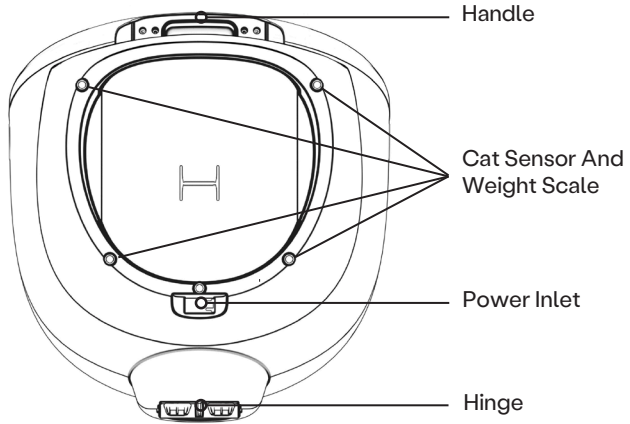
**Front View**



**Rear View**





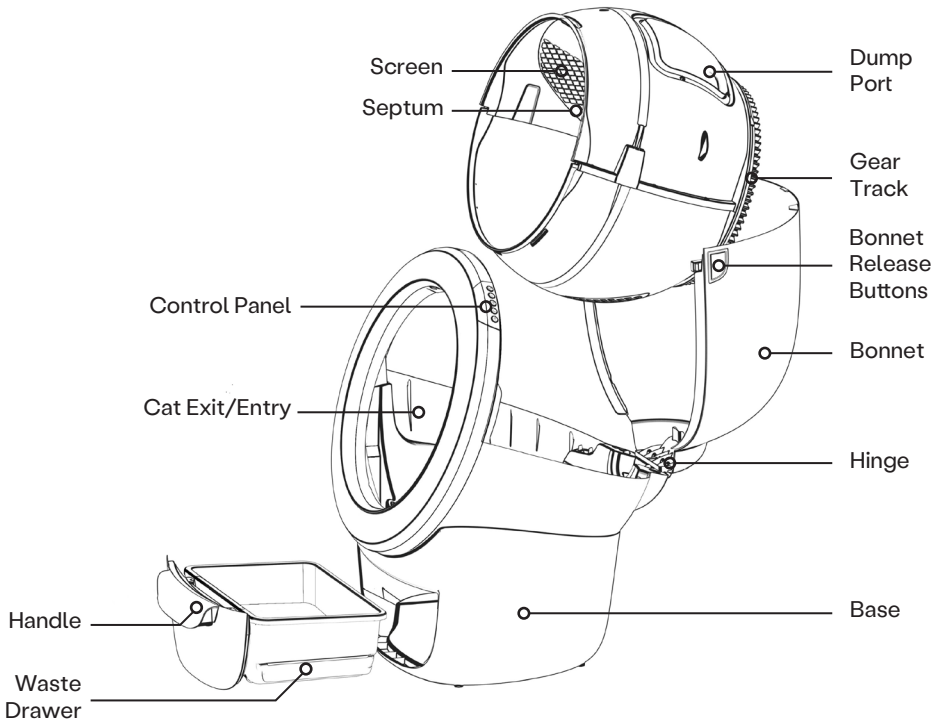


Bottom View

## Dimensions

	Height	Width	x	Depth	Weight
<b>Fully Assembled</b>	29.50"	x 22.00"	x	27.00"	24 lbs.
<b>Waste Drawer</b>	5.50"	x 13.50"	x	9.25"	
<b>Entryway</b>	15.75"	x 15.75"			
<b>Inside Globe</b>	15"-17" Depending on litter level	x 19.00"	x	18.00"	
<b>Litter Bed</b>		14.00"	x	14.00"	
<b>Floor to Step (optional)</b>	6.90"				
<b>Step (optional) to Entryway</b>	4.50"				
<b>Floor to Entryway</b>	12.00"				

Note: Images shown with standard Handle on the Waste Drawer. An optional Step and Step Mat are available for increased ease of entry.

**Exploded View**

## Setting Up Your Litter-Robot

Your Litter-Robot comes fully assembled and ready to use. Get started by following the steps below.

### Placement

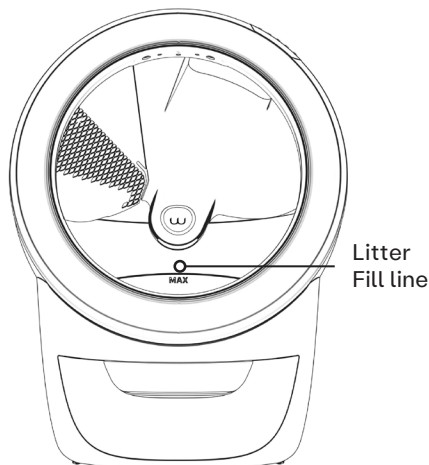
- ❑ If possible, place the Litter-Robot in the same location as the old litter box (at least during transition).
- ❑ Make sure the unit is on a firm, level surface. Avoid soft, uneven, or unstable flooring.
- ❑ Keep the unit indoors in a cool, dry location. Reduce exposure to high temperature and humidity. If possible, keep out of direct sunlight.
- ❑ Place the unit near a power outlet. Ensure the unit isn't pushed against a wall or into a corner (must not be touching any walls).
- ❑ Place litter mats or rugs in front of, or completely under, the unit. Do not place mats partially under the unit. Use only low pile (1/4 inch) rugs and mats under the unit.

**DO NOT** use litters that are the strictly absorbent, non-clumping, loose-clumping, newspaper-based, or wood-based pellets.

### Litter

Fill the Globe through the circular opening with **clumping litter** until it meets the raised MAX Fill Line when spread flat—approximately 8-10 pounds (3.6-4.5 kg) by weight or 1 gallon (4L) by volume. Be careful not to overfill the Globe.

The Litter-Robot litter sifting system requires clumping litter to work properly. We recommend a high-quality, clay-clumping litter. Litter beads and crystals that are small enough to pass through the screen will also work (periodic changing of this type of litter is required).



If you are using a litter alternative not listed here, please contact Customer Service to make sure you are using a compatible litter.

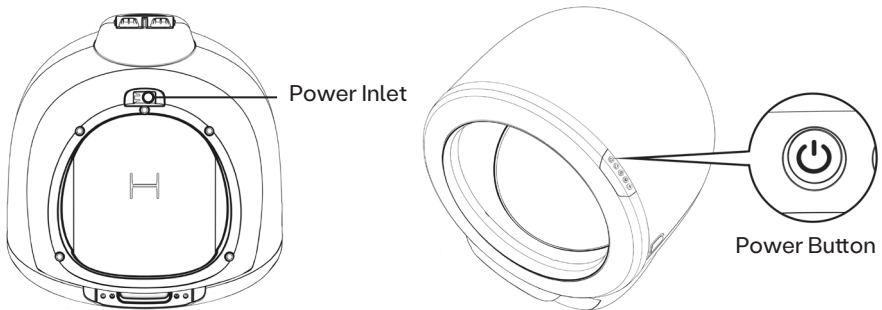
**Tip:** When filling the Litter-Robot for the first time, it is best to continue using the brand of litter you were using previously—as long as it is a clumping type of litter. Your cat will need to adjust to the new litter box, and introducing a new litter at the same time may increase their anxiety. However, if you are currently using a non-clumping litter, you will need to switch to a clumping type.

## Power and Initial Clean Cycle

Plug the small end of the Power Supply into the power input at the back of the Base. Then plug the AC/DC adapter into a wall outlet.

Locate and press the Power button. The Litter-Robot will perform an initial Clean cycle that will last 2 minutes. Learn more about the Clean cycle on page 16.

Note: The Cat Sensor Weight Scale is disabled on the initial Clean cycle during power up to ensure that the Weight Sensors are properly zeroed once the Globe reaches the Home position.



## Congratulations!

Your Litter-Robot is now ready to use; however, we recommend powering the unit off until your cat(s) become familiar with and begin using the Litter-Robot.

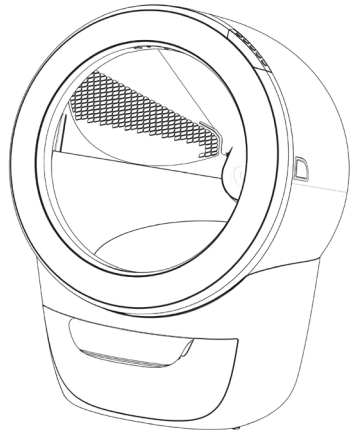
## Introducing Your Cat to the Litter-Robot

Most likely, your cat will quickly adapt to the Litter-Robot. Here are some ways to facilitate the transition:

1. Place the Litter-Robot in the same location as the current litter box, set it up (make sure you add litter to the Globe), and make sure it is turned off. Give your cats a day or two to explore the Litter-Robot. If your cats show no interest, entice them to approach the Litter-Robot by using some catnip or a favorite treat.
2. Add a scoop of litter from the old litter box to provide a familiar scent for your cat.
3. Place treats on the step or handle around the Litter-Robot so your cat associates rewards with the unit.
4. Once you notice that your cats have used the Litter-Robot, power the unit on to cycle the unit. Encourage your cats to be present, so they can observe the motion and become familiar with the sound of the Litter-Robot while you are there to reassure them. Turn the unit off again once the cycle is complete (the Litter-Robot should be in the Home position). We recommend that you no longer clean the old litter box once your cats have used the Litter-Robot.
5. If your cats are not using the Litter-Robot within a few days, continue using the old brand of litter in the old litter box, and let it go as long as possible without cleaning it. Cats prefer a clean litter box and a dirty litter box might persuade them to use the clean Litter-Robot. Also consider replacing the litter in the Litter-Robot with a litter specifically formulated for litter box training.

Once your cats are consistently using the Litter-Robot, you can turn the unit on and leave it on to operate in Automatic Mode—and remove the old litter box.

Congratulations, you have successfully introduced your cats to the Litter-Robot. Enjoy your freedom from scooping!



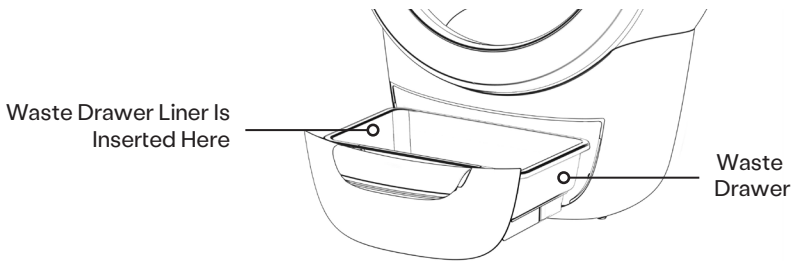
## Ongoing Maintenance

**Empty the Waste Drawer when indicated** by the Light Bar flashing blue on the Control Panel.

How often you will need to empty the Waste Drawer depends on the number and size of your cats. For two average-sized cats, twice per week is typical. For a single cat, once per week is usually sufficient.

Pull out the Waste Drawer, gather the edges of the liner bag, and dispose. You can use Litter-Robot custom-fit Waste Drawer Liners or any 10-13-gallon (37-49L) trash bags.

To install a new Waste Drawer Liner, open the bag and wrap the opening over the perimeter of the Waste Drawer flange. Push the remainder of the bag into the bottom of the Waste Drawer. Slide the drawer back in, being careful not to push the unit against the wall or into a corner (should not be touching any walls for accurate weight measurements). Then, press the Reset button to zero the Weight Sensors.



### Add litter as needed.

Check the litter level once per week or each time you empty the Waste Drawer. Add just enough litter to meet the raised MAX Fill Line inside the Globe, and be careful not to overfill it to avoid wasting litter. After adding or removing litter, press the Reset button to zero the Weight Sensors.

### Press the Reset button.

Any time you affect the weight or placement of the unit (including emptying the Waste Drawer, adding or removing litter, or cleaning or moving the unit), press the Reset button to ensure the Weight Sensors will detect your cat and cycle properly.

**See Use and Care on page 29** to learn about the Carbon Filter, Base Seal Strips, Waste Drawer Liners, and how to clean the Litter-Robot.

## Clean Cycle

After your cat leaves the Globe, the Litter-Robot automatically performs a Clean cycle. The sifting system separates the clumps from the clean litter and deposits them into the Waste Drawer below. It will take 2 minutes to complete the Clean Cycle. You can also press the Cycle button to start a Clean cycle.

During a Clean cycle, press any button to pause the cycle. Press the Cycle button to resume the cycle. Press the Reset or Empty button to abort the cycle and return the Globe to the Home position.

### How it works:

The Litter-Robot is ready for use when the Globe is at the Home position and the Light Bar on the Control Panel is blue.

1. When a cat enters the Globe, the Cat Sensor(s) are activated; the blue Light Bar changes to red.
2. Once the cat exits the Globe, a countdown to the Clean cycle begins. When the Wait Time (see page 24) has elapsed, the red Light Bar changes to a yellow round robin Light Bar indicating the counterclockwise Globe rotation of the Clean cycle.
3. As the counterclockwise rotation continues, clean litter passes through the low-dust screen while litter clumps are separated from the clean litter. The clean litter is collected behind the septum.
4. During rotation, and while the Globe is upside down, an integrated weight within the bottom of the Flexible Globe Liner causes the liner to fall away from the Globe to ensure any stuck-on clumps are removed.
5. As the Globe rotates toward the Dump position, the waste clumps fall through the Waste Port into the Waste Drawer below.
6. The Globe then stops at the Dump position and begins to rotate clockwise, back toward the Home position. The Flexible Globe Liner falls back into place and clean litter spills back into the bottom of the Globe.
7. The Globe will rotate past the Home position to level the litter before finally returning to the Home position. The sequential round robin yellow Light Bar changes to the blue Light Bar, indicating the unit is ready for the next use.



If your cat re-enters the Globe during the Wait Time countdown (red Light Bar on), the Cat Sensor(s) detect that your cat has entered and will not cycle with your cat inside (see page 21). Once your cat exits, a new countdown will begin.

## Empty Cycle

The Empty cycle allows you to empty all of the litter from the Globe into the Waste Drawer for easy disposal. Use this cycle to change out the entire litter bed or before cleaning the Globe (see page 31).

While the Globe is in Home position with the blue Light Bar on, press the Empty button to start an Empty cycle.

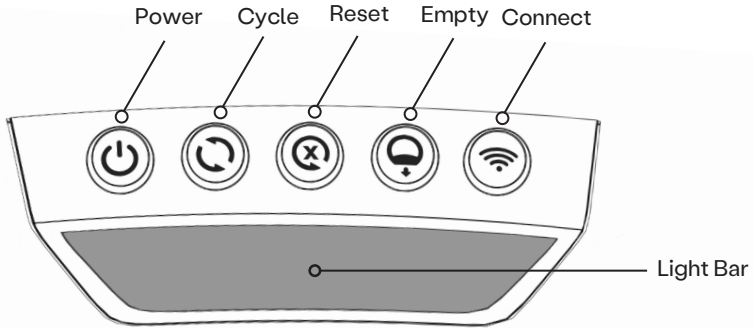
During an Empty cycle, press the Cycle, Reset, Empty, or Connect button to pause the cycle. Press the Cycle button to resume the cycle. Press the Reset button to abort the cycle and return the Globe to the Home position.

### How it works:

1. Upon pressing the Empty button, the Globe rotates clockwise with the sequential round robin yellow Light Bar indicating the rotational direction.
2. As the Globe rotates clockwise, litter will fall through the Waste Port and into the Waste Drawer.
3. After the litter is emptied, the Globe pauses with the yellow Light Bar on and awaits your action. (You may need to sweep any remaining litter toward the Waste Port.)
4. Press the Cycle or Reset button to return the Globe to the Home position.

**IMPORTANT:** Supervise and prevent your cat from entering during the Empty Cycle.

## Control Panel - Button Functions



### Power Button

Press the Power button to turn the unit power ON or OFF. When turning the unit ON, the Light Bar will flash white, then the unit will perform a Clean cycle with a sequential round robin yellow Light Bar indicating the direction of rotation.

With the unit powered ON, a 3-second long press of the Power button will turn the unit OFF.



### Cycle Button + (8-Hour Sleep Mode)

Press the Cycle button to start a Clean cycle (see page 16). Press the Cycle button again to pause or resume the cycle.

A 3-second long press will activate the default 8-Hour Sleep Mode (see page 24). The Light Bar will change to purple, indicating Sleep Mode is enabled for the next 8 hours. To exit this mode, press and hold the Cycle button for 3 seconds. The Light Bar will change to blue, indicating the mode has been disabled.



### **Reset + (Automatic Night Light)**

Press the Reset button while the Globe is at the Home position with the blue Light Bar on to reset the Cat Sensor(s). When pressed during a cycle, it will pause the cycle. If pressed again while paused, it will abort the cycle. When pressed with the red Light Bar on, it will cancel the Cat Sensor Wait Time and the unit will return to Ready Mode (blue Light Bar on).

A 3-second long press enables or disables Automatic Night Light Setting Mode (see page 23).



### **Empty Button + (Wait Time Setting)**

Press the Empty button while the Globe is at the Home position with the blue Light Bar on to start an Empty cycle (see page 17). When pressed during a Clean cycle or Empty cycle, it will pause the cycle. Pressing the Empty button during a paused cycle will abort the cycle and send the Globe back to the Home position.

A 3-second long press enables or disables Wait Time Setting Mode (see page 24).



### **Connect Button**

Press the Connect button to turn WiFi ON or OFF.

1. WiFi OFF is indicated by a white light adjacent to the Connect button.
2. WiFi ON and connecting is indicated by a blinking blue light adjacent to the Connect button.
3. WiFi ON and connected is indicated by a solid blue light adjacent to the Connect button, completing the blue Light Bar.

A 3-second long press will initiate Onboarding Mode indicated by a blinking yellow light adjacent to the Connect button. Press and release to exit Onboarding Mode.

## Control Panel - Light Bar

**Blue Light Bar:** Ready Mode.

**Blue Light Bar Flashing:** Waste Drawer is full (see page 22).

**WiFi Light Status:** (see page 26).

- Blue: WiFi is connected.
- White: WiFi is turned off.
- Blinking Blue: WiFi is disconnected / reconnecting.
- Blinking Yellow: Unit is in Onboarding Mode.

**Yellow Light Bar:** Unit is paused during a cycle.

**Yellow Light Bar Flashing:** Bonnet is removed. The unit will resume its previous function 5 seconds after the Bonnet is replaced (see page 27).

**Yellow Round Robin Light Bar:** Unit is performing a Clean or Empty cycle (see page 16).

**Yellow Ping Pong Light Bar:** Cycle interrupted by the Anti-Pinch Safety Feature (see page 28).

**Red Light Bar:** Cat detected and Wait Time Countdown initiated.

**Red Light Bar Flashing:** Cat detected in the unit for more than 30 minutes.

**Red Ping Pong Light Bar:** Motion detected in the drawer (see page 27).

**Purple Light Bar:** Sleep Mode enabled, unit within the specified sleep period.

**White Light Bar Momentary Flash** - Unit is in Control Panel Lockout Mode (see page 25).

**Red Light Bar with Partial Yellow Flashing:** Motor detected obstruction or jamming.

**Red Light Bar with Partial White Flashing:** Cannot detect Globe position. Unit will continue to function in Automatic Mode. Contact Customer Service.

## Litter-Robot Sensors and Functions

### Cat Sensor - Curtain Sensor

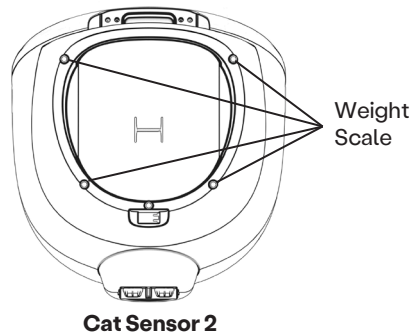
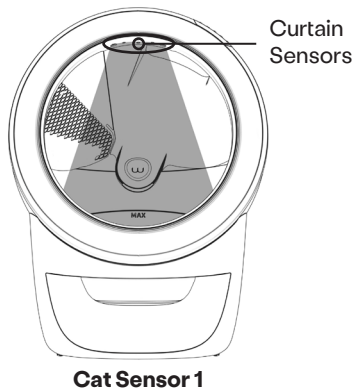
The Litter-Robot is equipped with Curtain Sensors looking downward across the unit opening and into the Globe that detect when a cat enters or exits the Globe while in the Home position. If a Curtain Sensor is activated during a cycle, the Globe will stop. After 15 seconds of no further activation, the Globe rotation will resume. If your unit is not cycling, please check the Bezel for any debris (cat fur, dust, etc.) that may be interfering with the Curtain Sensors. To correct, please wipe the Bezel and Curtain Sensor holes with a dry towel.

### Cat Sensor - Weight Scale

The Litter-Robot is equipped with Weight Sensors located in the base of the unit that are used to further detect and weigh the cat within the Globe while in the Home position. If additional weight is detected during a cycle, the Globe will stop. After 15 seconds of the additional weight exiting, the Globe rotation will resume.

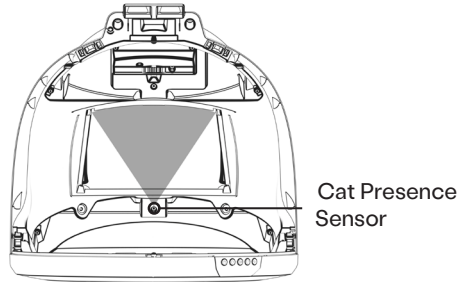
Note that each time the unit is powered ON or at the completion of a Clean cycle, the Weight Sensors measure the weight of the unit to use as a baseline, or “zero.” The Weight Scale can be “zeroed” at any time by pressing the Reset button.

Press the Reset button to zero the Weight Scale after doing anything that affects the unit’s weight. Press Reset firmly and quickly, then watch for the blue Light Bar to flash to confirm you have zeroed the Weight Scale. Be careful not to rest on the unit as you press the button or your weight will influence the reading. For best accuracy of the weight scale, the unit should be placed on a hard, level surface. If placed on carpeting, the accuracy of the scale will be reduced.



## Cat Presence

The Litter-Robot is equipped with a Motion Sensor that monitors the Waste Drawer. If the Motion Sensor identifies movement within the Waste Drawer while at the Home position, the unit will rotate the Globe to a position such that the Waste Port provides egress from the Waste Drawer.



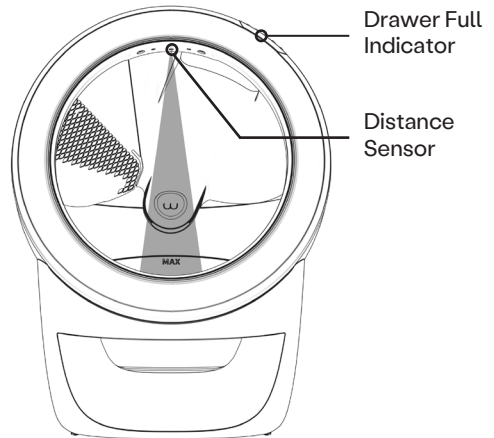
## Drawer Full Indicator (DFI)

The Litter-Robot is equipped with a Distance Sensor looking downward from the top of the unit that is used to detect the waste level within the Waste Drawer. During each Clean cycle, the DFI Sensor will measure the level of waste within the Waste Drawer as the Waste Port passes over the Waste Drawer.

When the Waste Drawer is full, the Light Bar will flash blue.

- ❑ Upon the first and second activation of the DFI, the Light Bar will flash blue, and the Cat Sensor(s) remain active.
- ❑ Upon the third activation of the DFI, the Cat Sensor(s) are deactivated and the unit will no longer cycle automatically.

Check or empty the Waste Drawer, then press Reset to cancel the indicator. Press Reset again to zero the Weight Scale. Note that the Weight Scale also automatically zeroes itself after each Clean cycle.



## Litter Level

Additionally, the Distance Sensor is used to measure the litter level within the unit. If the unit is connected via the Whisker app (see page 26), it will send a notification when the litter level is above or below a specified threshold.

## Automatic Night Light

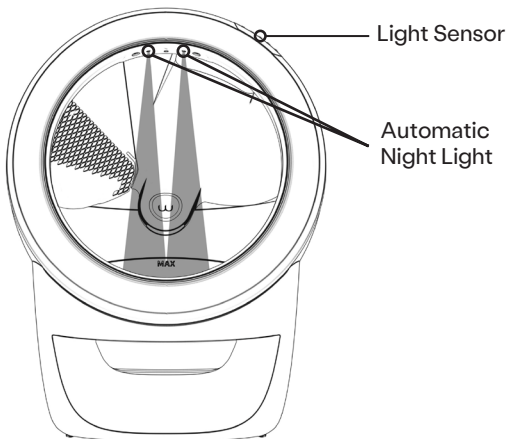
Although cats generally have excellent vision, aging and illness can diminish their ability to see in low-light conditions. The Litter-Robot arrives with the Automatic Night Light function enabled. When the Light Sensor, located in the Control Panel, detects low-light conditions, the Night Light turns on automatically.

A 3-second long press of the Reset button enters or exits Automatic Night Light Setting Mode. The Light Bar will indicate the current setting. Subsequent short presses of the Reset button will toggle through the settings shown below. After selecting the preferred setting, a 3-second long press of the Reset button will save the setting.

Always OFF → 1 Green Light displayed

Always ON → 2 Green Lights displayed

Automatic → 3 Green Lights displayed



## Sleep Mode

This mode allows you to deactivate the Cat Sensor(s) for a specified period of time, so the unit will not cycle automatically. Sleep Mode is useful for units located in bedrooms or areas where you may not want the unit to cycle for a certain period of the day.

The unit is programmed with a default 8-hour sleep period. This sleep period is repeated every 24 hours; the start is determined by the time the mode is initially set.

A 3-second long press of the Cycle button will enable Sleep Mode. Sleep Mode is indicated by the Light Bar turning purple. The Light Bar will remain purple during the sleep period and then return to blue once the sleep period has expired.

During the sleep period the unit will monitor for a cat using the unit, but will not perform a Clean cycle. When the sleep period expires, if no usage of the unit was detected, the unit will change to Ready Mode, indicated by a blue Light Bar, and operate in Automatic Mode for the remainder of the 24-hour period.

If the unit detects usage during the sleep period, a Clean cycle will be performed upon the sleep period expiring. Once the Globe has returned to the Home position, the Light Bar will change to blue and the unit will operate in Automatic Mode for the remainder of the 24-hour period.

A 3-second long press of the Cycle button will disable Sleep Mode, indicated by the Light Bar changing to blue from purple, or by the Light Bar flashing purple momentarily if the unit is not in the sleep period.

Note that the Whisker app (see page 26) offers customizable Sleep Mode programming options.

## Wait Time Setting

The Wait Time is the elapsed time starting from when your cat exits the Globe until the unit starts a Clean cycle. It can be set for 3, 7, 15, 25, or 30 minutes. The default Wait Time is 7 minutes.

Reduce the Wait Time if it is important to minimize odor and/or the time that waste is available to other pets, such as dogs. However, reducing the Wait Time may reduce the cleaning effectiveness if clumps do not have enough time to set up. Extend the Wait Time when using a lower-quality clumping litter that needs more time to set up.



A 3-second long press of the Empty button enters or exits Wait Time Setting Mode. The Light Bar will indicate the current Wait Time Setting. Subsequent short presses of the Empty button will toggle through the settings shown below. After selecting the preferred setting, a 3-second long press of the Empty button will save the setting.

3 minutes → 1 Green Light displayed

7 minutes → 2 Green Lights displayed

15 minutes → 3 Green Lights displayed

25 minutes → 4 Green Lights displayed

30 minutes → 5 (All) Green Lights displayed

## Control Panel Lockout

Control Panel Lockout disables button functions to prevent unwanted changes. The Litter-Robot functions normally in Automatic Mode during Control Panel Lockout.

A 3-second long press of the Cycle + Reset buttons will enable or disable Control Panel Lockout Mode. The Light Bar will momentarily flash red to confirm the status change.

While in Control Panel Lockout Mode, the Light Bar will flash white when any button is pressed, indicating the Control Panel is locked.

While in Control Panel Lockout Mode, you can turn the unit OFF by pressing and holding the Power button for 3 seconds.

## Whisker App

The Whisker app offers customizable programming options for your Litter-Robot from the convenience of your phone. You can monitor and control your Litter-Robot, receive notifications, get insights into your cat's health by comparing weekly and monthly stats, and more.

### Installing the Whisker app

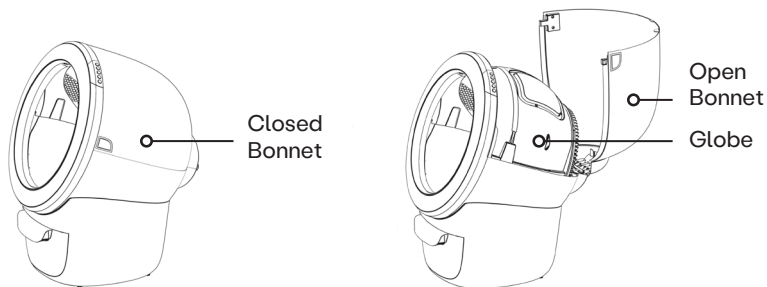
1. Press the Power button to turn the Litter-Robot ON.
2. Download the Whisker app from the App Store or Google Play.
3. Make sure Bluetooth is enabled on your mobile device. Scan the QR code to be directed to your specific app Store.
4. Your Litter-Robot ships with the unit in Onboarding Mode (WiFi light blinking yellow).
  - a. If your unit is not in Onboarding Mode, press and hold the Connect button for 3 seconds or until the Onboarding light blinks yellow.
5. Follow the prompts in the app and scan the QR code on the back of the unit as directed.
6. Once the Litter-Robot is successfully connected to WiFi, the Onboarding light on the Control Panel Light Bar will display a solid blue light.
7. If Onboarding fails, you will be prompted to retry or cancel. If you retry, the process is started over.
8. Once you have successfully Onboarded, select your unit on the home screen to view your Litter-Robot and adjust any settings.



## Safety Features

### Bonnet - Full Coverage

The Bonnet functions as a cover and guard for the Waste Port as the Globe rotates. The Globe will not rotate without the Bonnet installed (see Control Panel - Light Bar - Yellow Light Bar Flashing, page 20).



### OmniSense Cat Detection System

The Litter-Robot's Cat Sensing system is a combination of Optical and Weight Sensors that detect your cat attempting to enter the unit during a cycle. If a cat attempts to enter the unit during a cycle, the Globe will stop with the Light Bar displaying red, indicating the cycle has been interrupted. The cycle will not resume until 15 seconds after the cat is no longer detected.

The Litter-Robot is also equipped with a Motion Sensor that monitors the Waste Drawer. If motion is detected within the Waste Drawer when the Globe is at the Home position, the unit will rotate the Globe to a position such that the Waste Port provides egress from the Waste Drawer.

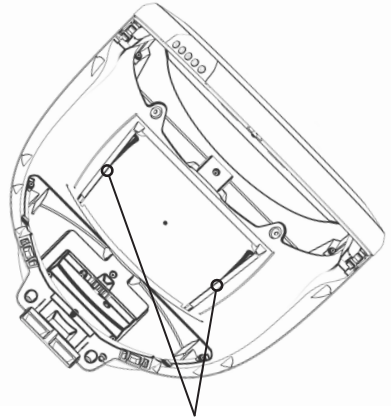
## Anti-Pinch Safety Feature

The Litter-Robot is equipped with Anti-Pinch Sensors on both sides of the Waste Drawer Chute to ensure your cat's safety while using the Litter-Robot. These sensors monitor for potential pinch conditions at all times.

While cycling, if a potential pinch condition is detected, the Globe will stop and retract for 5 seconds. After a 2-second pause, the unit will attempt to continue the cycle.

While the Globe is retracting, the Light Bar will display a yellow ping pong pattern.

Note: Ensure Dual Pinch Bars are clear of excess litter.



Dual Pinch Bars

## Overload Detection

If the Globe becomes jammed or overloaded during rotation, the Motor will stop and retract for 5 seconds. After a 2-second pause, the unit will attempt to continue the cycle.

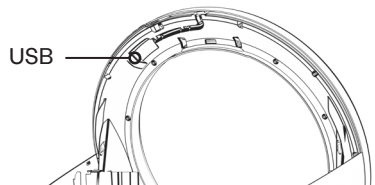
If the Globe is unable to continue the cycle after three attempts, the Globe will stop and the Light Bar will display an error code with 3 red lights and 2 flashing yellow lights.

If the Globe is able to complete a Clean cycle after experiencing a jam or overload condition, the Control Panel will return to Ready Mode (blue Light Bar). The unit will continue to function in Automatic Mode.

If the Light Bar is indicating a jammed or overloaded error, turn the unit off and remove the Bonnet and the Globe. Check for gear/motor obstruction. Reassemble the unit and verify proper litter level. Power the unit ON and let it cycle. If the problem persists, contact Customer Service.

## USB Power Port

The Litter-Robot is equipped with a USB power port under the Bonnet on the backside of the Bezel. This port will provide 5V (1A) power for any external USB devices.



## Optional Accessories:

### Backup Battery

The Litter-Robot can be equipped with a Backup Battery. This sealed 12VDC, 1.3 Amp Hour battery allows the unit to continue working during power outages. When power to the Litter-Robot is interrupted, the unit automatically switches to Backup Battery Mode, indicated by the Control Panel Light Bar changing from full blue to solely the Power button LED flashing blue.

Note: WiFi and Night Light functionality will be disabled during Backup Battery Mode to conserve energy. Light Bar display intensity will be reduced by 50% and Night Light functionality will be disabled to conserve energy.

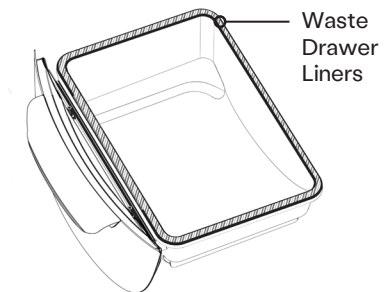
The battery pocket and connectors are located in the motor compartment of the Base. Backup Battery Kits can be ordered from [litter-robot.com](http://litter-robot.com). Note: Use of accessories that are not sold at [litter-robot.com](http://litter-robot.com), [whisker.com](http://whisker.com), or any of our authorized resellers' websites is not approved or endorsed by Whisker. Whisker is not responsible for accidents or injuries that occur from use of non-Whisker accessories. Any modifications to or unauthorized uses of your Litter-Robot may void the warranty.

## Use and Care

### Installing Waste Drawer Liners

The Litter-Robot ships with a Waste Drawer Liner installed. These liners are made specifically for the Litter-Robot, but any 10-13-gallon (37-49L) trash bag will also work.

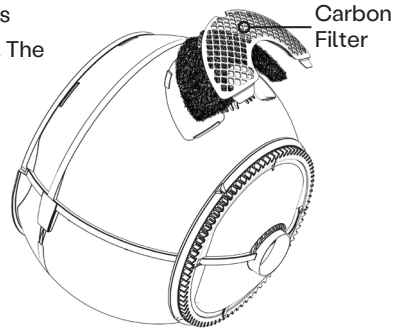
1. Open a new Waste Drawer Liner or bag.
2. Wrap the edges of the Waste Drawer Liner or bag over the flange of the Waste Drawer.
3. Push the remainder of the bag into the bottom of the Waste Drawer and then slide the Waste Drawer shut.



## Carbon Filter

The Litter-Robot is equipped with a flexible Carbon Filter pad that is installed on the outer bottom area of the Globe. This filter sits directly over the Waste Drawer to absorb odors. The Carbon Filter is easily removed and installed by starting a Clean Cycle, then opening the Bonnet when the Globe is at the Dump Position. Replace the Carbon Filter as needed. Under normal use, one filter should last approximately 1 month. The Carbon Filter is not required for the unit to function.

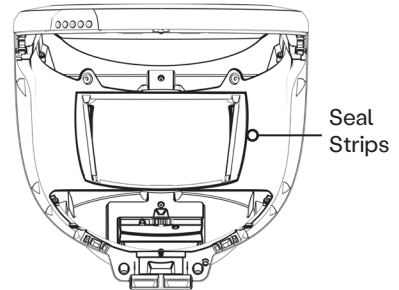
Replacement Carbon Filters and other odor-absorbing accessories can be ordered at [litter-robot.com](http://litter-robot.com).



## Base Seal Strips

The Litter-Robot is equipped with brush-type Seal Strips on both the top and bottom of the Base. These Seal Strips help contain odors within the Waste Drawer.

Replace the Seal Strips when you notice they are worn flat or peeling up. Make Seal Strips last longer by trimming loose edges between replacements. Be careful not to get them wet when cleaning the Base or they may begin to peel. Replacement Seal Strips can be ordered at [litter-robot.com](http://litter-robot.com).



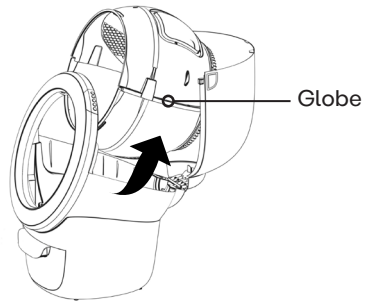
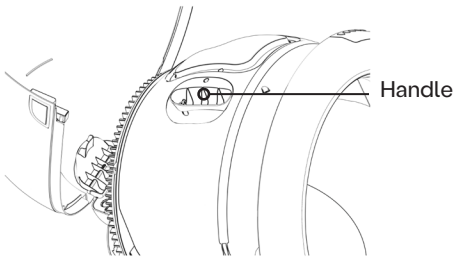
## Emptying the Litter-Robot

1. Press the Empty button to cycle the Globe clockwise, which will allow the litter to fall through the Waste Port and into the Waste Drawer for easy disposal.
2. If litter remains in the Globe, sweep the granules toward the Waste Port.
3. Press any button to return the Globe to the Home position.

**IMPORTANT:** Supervise and prevent your cat from entering during the Empty cycle, as the unit may not detect your cat without litter in it.

## Cleaning the Globe

1. Press the Empty button to cycle the Globe clockwise, which will allow the litter to fall through the Waste Port and into the Waste Drawer for easy disposal. Sweep any leftover litter toward the Waste Port. Then, press either Cycle or Reset to return the Globe to the Home position. Ensure that all litter has been removed from the Globe—wet litter turns into messy clay!
2. Turn the Litter-Robot OFF and unplug the unit.
3. Open the Bonnet: Press and hold the buttons on both sides of the Bonnet, then lift and rotate the Bonnet to its open position.
4. Remove the Globe: Using the handle, lift the Globe off the Base.
5. Remove the Carbon Filter.
6. Clean the Globe with Litter-Robot cleaner spray or wipes, or with water and a mild soap. There are no electronic components in the Globe that can be damaged by soap and water. If the Globe has become extremely dirty, it can be soaked and cleaned with a water hose.
7. Let the Globe dry completely before reassembling it to the Base and closing the Bonnet (see page 27).

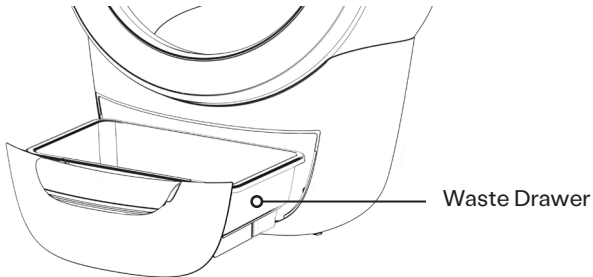


For a quick touch-up, you can use Litter-Robot cleaner wipes or a disposable towelette to wipe the inside and upper half of the Globe (without removing the litter). You can also manually rotate the Globe to a position where the litter is behind the screen, providing access to the Flexible Globe Liner surface for spot cleaning. The Litter-Robot can then be used almost immediately, since drying is nearly instantaneous.

Litter-Robot cleaner spray and wipes can be ordered at [litter-robot.com](http://litter-robot.com).

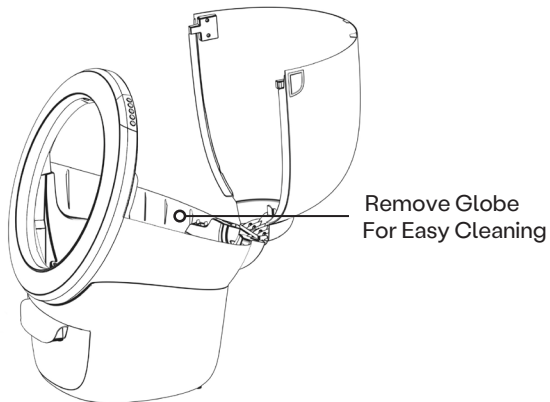
## Cleaning the Waste Drawer

1. Pull the Waste Drawer out.
2. Clean the drawer with Litter-Robot cleaner spray or wipes or with soap and water.



## Cleaning the Base

1. Never submerge, spray, or soak the Base or Control Panel. The Base and Control Panel contains sensors and electronics.
2. Wipe the surfaces of the Base with a cloth dampened with a disinfectant. If using a spray, spray away from the Base directly onto a cloth or paper towel, so disinfectant does not get on the electronics.
3. Do not use bleach.

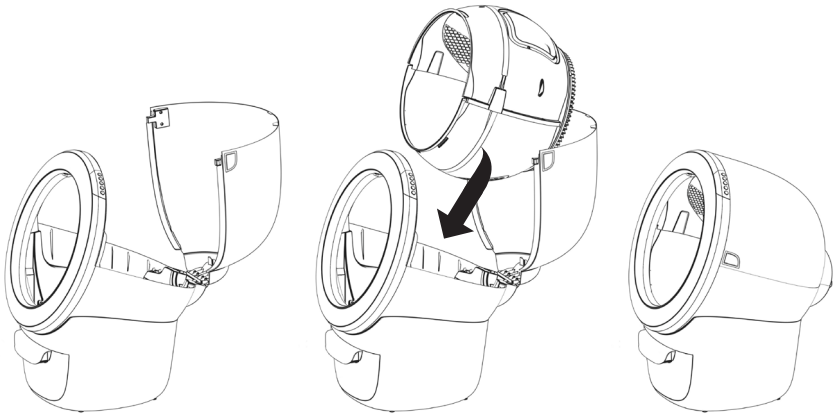




## Reinstalling the Globe

1. Place the Globe on the Base in the approximate Home position. Holding the Globe by the handle and sliding it back into the Base will align it approximately in the Home position.
2. Ensure the back of the Globe is sitting flush in the rear bearing pocket and the gear track is engaged to the motor pinion.
3. Rotate the Bonnet downward with light pressure on the sides such that the Bonnet hugs the Globe. This will help to ensure proper alignment of the Bonnet latches to the Base. Push down on the Bonnet from the top and make sure the Bonnet has latched into place and the Bonnet is secure.

**Note:** The unit will not run without the Bonnet installed.



## Frequently Asked Questions

### Will my cat actually go inside the Globe?

Cats are generally curious and will investigate new objects. Cats that are already used to a covered litter box may be quicker to investigate.

We recommend that you place the Litter-Robot in the same location as the old litter box. You can leave the old litter box near the Litter-Robot for a short time. Take a cup of litter from the old litter box and add it to the clean litter in the Litter-Robot. The scent will be familiar, and the cat will be inclined to investigate.

Once your cat ventures inside and feels the litter under their paws, they will know what to do.

### Can kittens use the Litter-Robot?

We do not recommend that kittens or cats that weigh less than 3 pounds use the Litter-Robot in the unattended Automatic Mode. Their low weight and very small size may not activate the Cat Sensing system. Cats should weigh at least 3 pounds before using the Litter-Robot in Automatic Mode.

We recommend leaving the Litter-Robot OFF and operating in "semiautomatic" mode. When you see your kitten has used the Litter-Robot, turn it ON, and the Litter-Robot will automatically perform a Clean cycle. Once it finishes (2 minutes), turn the power OFF. This way, your kitten is safe while they get accustomed to the Litter-Robot at a young age—and you don't have to scoop the litter box!

**CAUTION:** Leave the Litter-Robot turned OFF and only start a Clean cycle manually until you are sure that all cats in your household are heavy enough to activate the Cat Sensing system.

### What if my cat won't use the Litter-Robot?

If you and your cat are not completely satisfied, just return your Litter-Robot within 90 days for a full refund of the purchase price. Please note that you are responsible for return shipping costs. Please contact Customer Service to request a Return Authorization (RMA) number. We cannot accept return shipments without an RMA number.

**What happens if my cat tries to enter the Globe while it is rotating?**

The Litter-Robot Cat Sensing system will detect your cat before they enter the Globe and the motor will stop. Once your cat leaves the Globe, the Litter-Robot will wait 15 seconds before attempting to resume the cycle. See OmniSense Cat Detection System on page 27.

**Are there any rakes or wires inside the Globe?**

No, the Globe does not contain any rakes or wires that could hurt or harm your cat. The Litter-Robot was designed with your cat's safety in mind.

**Are the electronics or power source dangerous to my cat?**

No, there are no electrical components inside the Globe. The Litter-Robot operates on a safe 15 Volts DC using an adapter very similar to the ones you may have at home for a clock radio or for charging your cell phone.

**Will the Globe turn while my cat is inside?**

No, the Globe will not turn while your cat is inside. The Litter-Robot Cat Sensing system is triggered each time a cat enters, or re-enters the Globe, resetting the countdown timer to prevent the Clean cycle from starting for another 7 minutes.

**What happens if the Globe jams?**

If the Globe jams or an excessive load condition occurs, the unit will detect the condition with our Overload Detection system (see page 28). In addition, the Litter-Robot is equipped with dual Anti-Pinch Safety Features (see page 28).

**Does the Litter-Robot require special litter?**

No, the Litter-Robot simply requires clumping litter. We recommend a high-quality, clay-based clumping litter. Use of lightweight litters, such as corn or wheat, may not pass through the screen effectively. Some silica gel litter beads and crystals can also be used with the Litter-Robot, as long as they are able to pass through the screen.

Litters that do not work in the Litter-Robot are strictly absorbent, non-clumping or loose-clumping litters, newspaper-based litters, pine-based litters, and absorbent wood pellet litter.

**How much litter do I put in the Litter-Robot?**

Fill the Globe with approximately 8-10 pounds of litter, until it meets the raised MAX Fill Line on the Flexible Globe Liner when the litter is spread flat. If there is too much litter in the Globe, it will be expelled into the Waste Drawer during the first few cycles. Since the waste clumps are removed during each cycle, there is no need to put excessive litter in the Globe.

**How often do I need to add litter?**

The Litter-Robot uses litter very efficiently since the sifting system only removes the clumps. We recommend checking the litter level against the raised MAX Fill Line (on the Flexible Globe Liner) each time you empty the Waste Drawer, which is about once per week for a single cat or twice for multiple cats. Be careful not to overfill the Globe.

**Is dust a problem with the frequent rotation of the Globe and the movement of the litter?**

No, the Litter-Robot is equipped with a low-dust screen design that allows the litter to sift back through the screen during a Clean cycle without creating excessive dust.

**How often do I need to empty the Waste Drawer?**

This depends on the number and size of your cats. For two average-sized cats, twice per week is typical. For a single cat, once per week is usually sufficient.

**How often do I have to clean the inside of the Globe?**

This depends on your personal preference and your cat's behavior. We recommend cleaning the inside of the Globe every one to three months. See Use and Care on page 29.

**How do I clean the Litter-Robot exterior?**

Cleaning the Litter-Robot exterior is easy. First, remove the Globe, Bonnet, and Waste Drawer; spray or wipe them down with Litter-Robot cleaner or with mild soap and water; or take them outside for deep cleaning with the garden hose. All other surfaces can be wiped clean, but should not be submerged.

**CAUTION: The Base of the Litter-Robot contains electrical components that should not be submerged.** See Use and Care on page 29.

## 90-Day In-Home Trial

Buy with confidence knowing that your investment is backed by our 90-day in-home trial. If you or your cat are not satisfied with your Litter-Robot, simply return it for a refund of the purchase price. You only have to pay return shipping.

If you purchased your Litter-Robot through a source other than Whisker, you must coordinate the return with that source according to their return policy.

## Whisker Customer Service

If you have questions or need assistance, contact us! Chat support is your fastest option, followed by phone support and email. Visit our support site to get started and to troubleshoot.

### Chat Support

[whiskersupport.com](http://whiskersupport.com)

Mon–Fri: 9AM–5PM EST

Sat–Sun: 9:30AM–5PM EST

### Email Support

[support@whisker.com](mailto:support@whisker.com)

24/7

### Mailing Address

Whisker

522 S. Western Ave

Juneau, WI 53039 USA

### Phone Support

(877) 250-7729

Mon–Fri: 9AM–5PM EST

### Online Troubleshooting

[whiskersupport.com](http://whiskersupport.com)





# **litter·robot<sup>®</sup> 4**

by whisker

Version: LR4-8008-0a

1080 W Entrance Dr  
Auburn Hills MI 48326  
Whisker.com

Designed & Assembled  
in the USA

