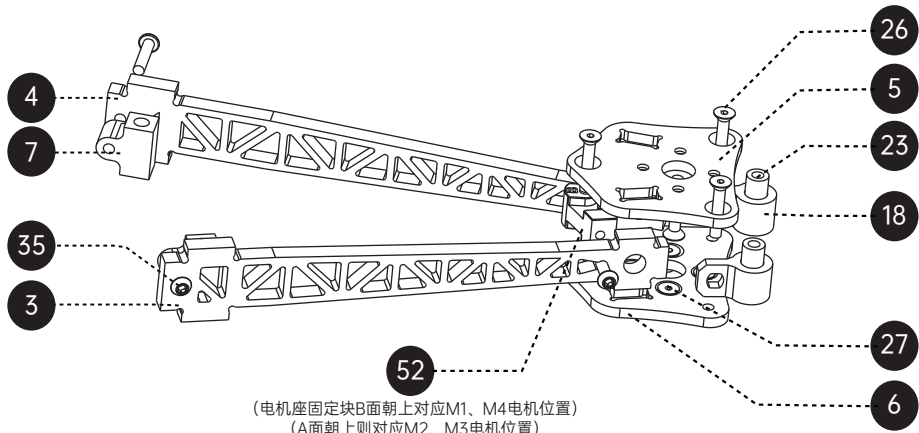
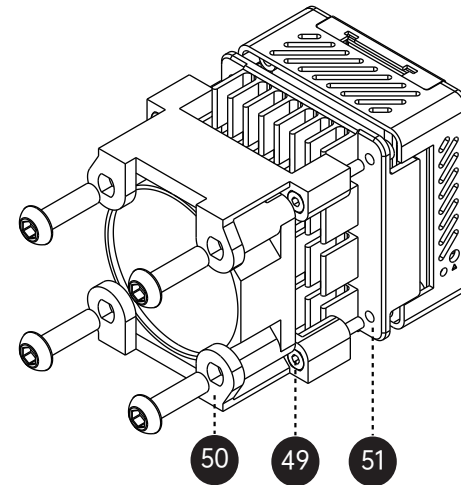


## 机臂部分 Frame Arm

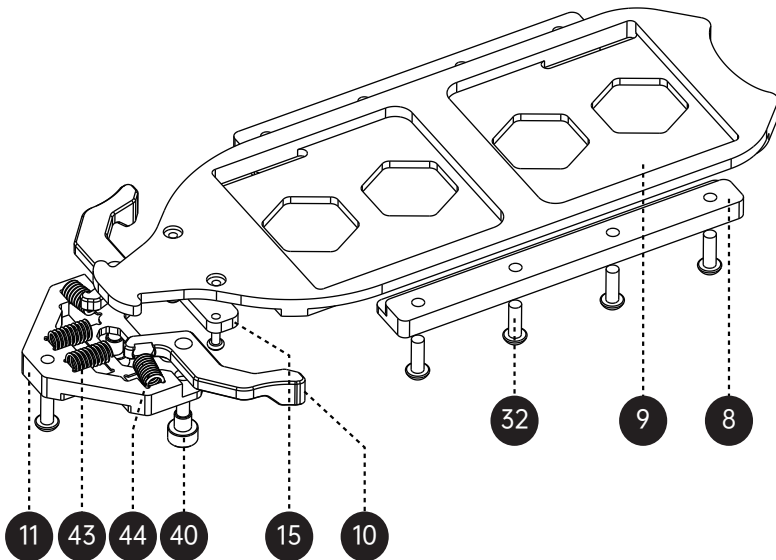


(电机座固定块B面朝上对应M1、M4电机位置)  
(A面朝上则对应M2、M3电机位置)  
B side facing up corresponds to M1/M4  
A side facing up corresponds to M2/M3

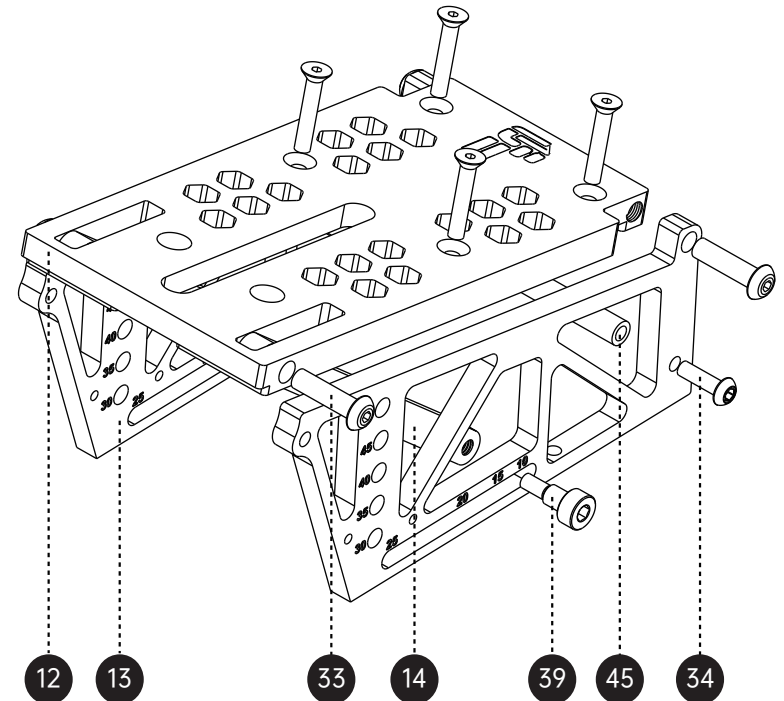
## 散热套装 VTX Heatsink



## 电池固定板 Battery QR Mount



## 相机套件 Camera Kit



# Centurion

## 机架组装示意图

### Frame Assembly Guide

1. 顶板 Top plate	x1	26. M3*17沉头内六角螺丝 M3*17 countersunk hex screw	x18
2. 底板 Bottom plate	x1	27. M3*6沉头内六角螺丝 M3*6 countersunk hex screw	x36
3. 机臂A Arm A	x4	28. M3*8沉头内六角螺丝 M3*8 countersunk hex screw	x3
4. 机臂B Arm B	x4	29. M3*24沉头内六角螺丝 M3*24 countersunk hex screw	x14
5. 电机座A Motor mount A	x4	30. M4*10沉头内六角螺丝 M4*10 countersunk hex screw	x18
6. 电机座B Motor mount B	x4	31. M3*8内六角螺丝 M3*8 hex screw	x17
7. 固定块 Frame arms fixed block	x8	32. M3*9内六角螺丝 M3*9 hex screw	x9
8. 滑轨 Slide rail	x2	33. M3*16内六角螺丝 M3*16 hex screw	x3
9. 电池固定板 Battery fix pad	x1	34. M3*10内六角螺丝 M3*10 hex screw	x13
10. 电池滑槽按键 (分左右) CNC Battery slot button	x2	35. M3*14内六角螺丝 M3*14 hex screw	x9
11. 电池滑槽固定件 Battery fixings	x1	36. M2*5内六角螺丝 M2*5 hex screw	x12
12. 上盖 CNC Upper plate CNC	x1	37. M2*8内六角螺丝 M3*8 hex screw	x11
13. 支架 (分左右) CNC Bracket CNC	x2	38. 摄像头硅胶侧板 Camera vibration dampers silicone	x2
14. 侧支撑杆 (一对) CNC Side support rod CNC	x2	39. 内六角塞打螺丝 $\phi$ 4*M3*4 $\phi$ 4*M3*4 hex shoulder screw	x3
15. 电池滑槽定位座 TPU Battery slot TPU	x1	40. 内六角塞打螺丝 $\phi$ 4*M3*6 $\phi$ 4*M3*6 hex shoulder screw	x3
16. 天线隔离座 TPU Antenna isolation mount TPU	x4	41. M4*15内六角螺丝 M4*15 hex screw	x5
17. GPS天线座 TPU GPS mount TPU	x1	42. M3防松自紧螺母 M3 lock nut	x8
18. 接收机天线座 TPU Receiver Mount TPU	x4	43. 弹簧0.6*5*10 spring 0.6*5*10	x2
19. 电池板缓冲角 (分左右) Battery pad cushion TPU	x2	44. 弹簧0.8*5*10 spring 0.8*5*10	x2
20. 接收机座 TPU Receiver Mount TPU	x1	45. M3*5*50圆形网纹铝柱 M3*5*50 Al. standoff	x3
21. 保护外壳 尼龙 Protective shell nylon	x1	46. M1.6*12内六角杯头螺丝 M1.6*12 socket head cap screws	x5
22. 摄像头外壳 尼龙 Camera canopy TPU	x1	47. M2*6内六角螺丝 M2*6 hex screw	x3
23. M3.2*6*10双通尼龙柱 M3.2*6*10 Double-pass Al. standof	x9	48. M2防松自紧螺母 M2 lock nut	x5
24. M3.2*6*15双通尼龙柱 M3.2*6*15 Double-pass Al. standof	x7	49. M1.6*14沉头内六角螺丝 M1.6*14 countersunk hex screw	x5
25. M3.2*6*12双通尼龙柱 M3.2*6*12 Double-pass Al. standof	x3	50. 散热风扇固定件 TPU Cooling fan mount TPU	x2

51. 图传散热片 VTX heatsink CNC	x1
52. 电机座固定块 Motor Mount CNC	x4

#### 附赠 Additional parts

1. 65*10集线管 50*10 Motor wire protector	x4
2. 80*10集线管 10*10 Motor wire protector	x4
3. XT30G 黑色母头 XT30G female connector black	x2
4. 格纹硅胶电池防滑垫 Battery pad	x2
5. 格纹硅胶相机防滑垫 Camera anti-slip pad	x2
6. 通用贴纸V4 Sticker V4	x1
7. 双IPEX直头转SMA弯头内针转接线 Dual IPEX to RP-SMA female adapter cable	x2
8. XT90E-M公头 带线 Dual IPEX To RP-SMA Female Adapter Cable	x1
9. USB转接板 USB adapter	x2
10. 天空端TYPE-C 转SH1.0板 Air unit TYPE-C to SH1.0 adapter board	x2
11. 四线端子线 4 Pin Cable	x2
12. 20*300超纤皮电池轧带 20*300 Battery strap	x4
13. 20*400超纤皮电池轧带 20*400 Battery strap	x2
14. 20*500超纤皮电池轧带 20*500 Battery strap	x2
15. 散热风扇 Cooling fan	x2
16. XT30U-F母头带线 XT30U-F pigtail	x1
17. XT30U-M公头带线 XT30U-Male Power Splitter	x1