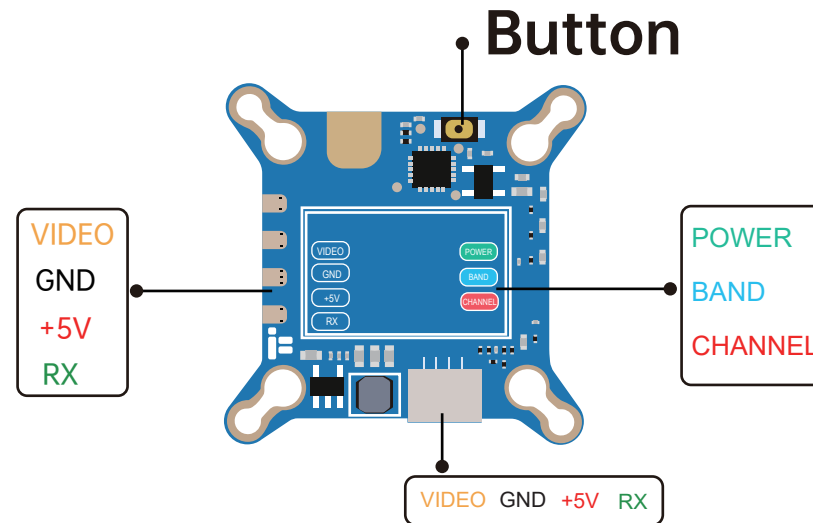


SucceX Mini Force

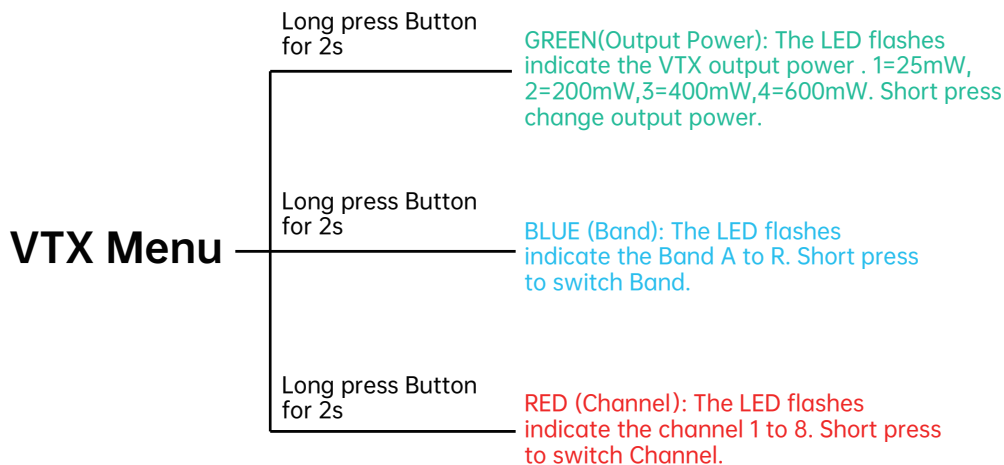
25mW/200mW/400mW/600mW

Pinout



LED Indicator and Function Button

Long press to switch between the menu, short press to change the setting.



Frequency Table

Note: Antennas must be installed BEFORE powering on. The VTX can be damaged when using without proper cooling.

(BAND)	CHANNEL							
	CH1	CH2	CH3	CH4	CH5	CH6	CH7	CH8
A	5865MHz	5845MHz	5825MHz	5805MHz	5785MHz	5765MHz	5745MHz	5725MHz
B	5733MHz	5752MHz	5771MHz	5790MHz	5809MHz	5828MHz	5847MHz	5866MHz
E	5705MHz	5685MHz	5665MHz	5665MHz	5885MHz	5905MHz	5925MHz	5925MHz
F	5740MHz	5760MHz	5780MHz	5800MHz	5820MHz	5840MHz	5860MHz	5880MHz
R	5658MHz	5695MHz	5732MHz	5769MHz	5806MHz	5843MHz	5880MHz	5917MHz