

Mini Track Linear Actuator



Standard Features and Benefits

- **Internal limit switches** automatically shut off the unit at the end of stroke
- **Standard stroke lengths** of 5, 10, 15, 20, and 25 inches are available
- **35 lbs. of force** at an extension speed of 2 inches per second
- **IP 43 rated** - protected against solid objects over 1 mm and from sprays of water
- **Temperature operating range** of -15°F to 150°F (-26°C to 65°C)
- **High grade aluminum housing** resists corrosion
- **Maintenance free**
- **CE and RoHS certified**

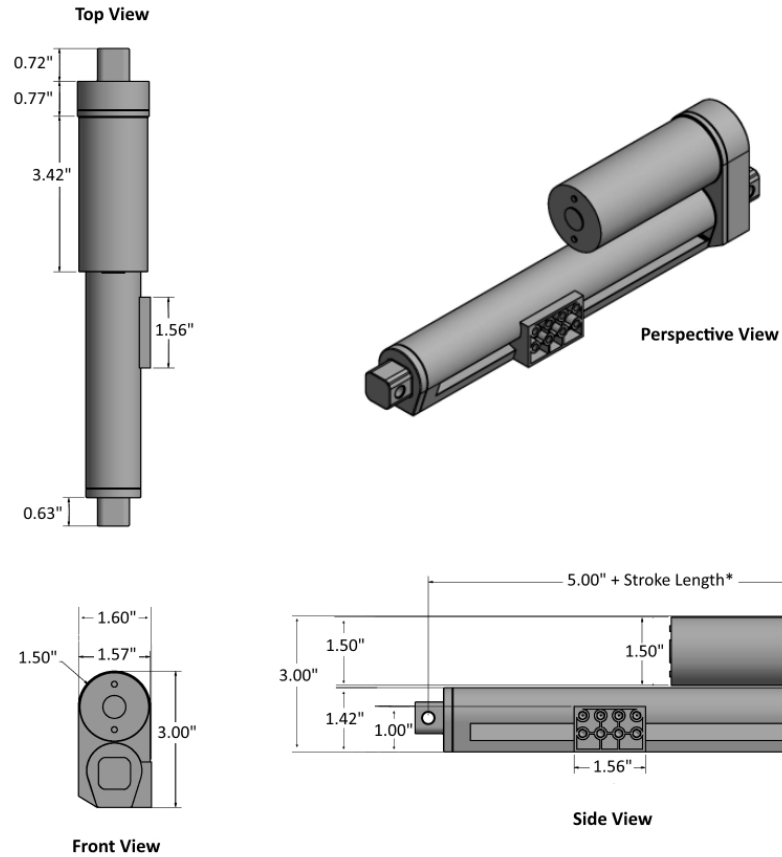
The Mini Track Actuator provides a compact actuator for applications where space is an issue. The sliding carriage means you do not need the length that a traditional rod style actuator would require. Available with 35 lbs of force these track actuators are popular for home theatre, automotive, aerospace, agriculture and many other areas of automation. Standard stroke lengths of 5 - 25 inches provide flexibility in a quality maintenance free actuator.

Specifications

Model	FA-35-TR-12-X
Dynamic Force	35 lb
Static Force	70 lb
Speed (inches/second)	2 inches
Duty Cycle	20% at 100% load, 50% at 25% load
Stroke Length	5, 10, 15, 20, and 25 inches
IP Rating	43
Input	12 volt DC
Max Draw	5 A
Clevis End	1/4" diameter
Operational Temperature	-15°F to 150°F (-26°C to 65°C)
Limit Switch	Built-in (factory preset)
Safety Certifications	CE, RoHS
Brackets	MB1 and MB9

Dimensions and Weight

Stroke	Hole to Hole	Weight
5 "	10.17 "	2.1 lbs
10 "	15.17 "	2.6 lbs
15 "	20.17 "	2.8 lbs
20 "	25.17 "	3.3 lbs
25 "	30.17 "	4.0 lbs

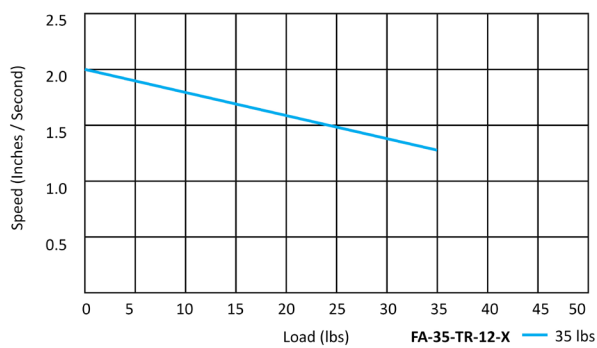


*Stroke length tolerance: $\pm 0.125"$

FA-TR-35-12-X

Performance Graphs

12V DC Speed vs Load



12V DC Current vs Load

