

Terms of Use. The contents are provided "AS IS". DIGILENT DISCLAIMS ALL WARRANTIES, EITHER EXPRESS OR IMPLIED, INCLUDING, BUT NOT LIMITED TO, THE IMPLIED WARRANTIES OF MERCHANTABILITY, FITNESS FOR A PARTICULAR PURPOSE, AND NON-INFRINGEMENT OF INTELLECTUAL PROPERTY. The contents could contain technical inaccuracies, typographical errors or out-of-date information. Information may be updated or changed at any time, without notice. Use of such information is therefore at your own risk. Digilent may at any time revise these Terms of Use. You are bound by such revisions and should therefore visit <https://store.digilentinc.com/terms-of-use/> to review the current Terms of Use.

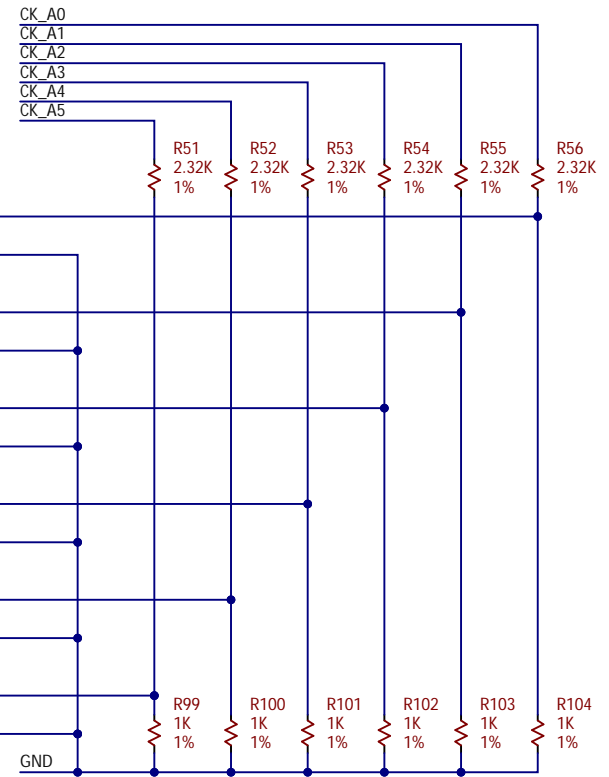
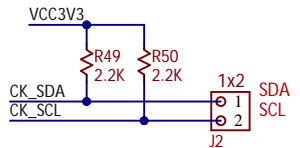
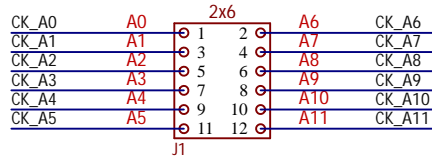
Limitation of Liability. DIGILENT WILL NOT BE LIABLE FOR DIRECT, INDIRECT, SPECIAL, INCIDENTAL, COVER, ECONOMIC, OR CONSEQUENTIAL DAMAGES ARISING OUT OF THE USE OR INABILITY TO USE THE CONTENTS EVEN IF DIGILENT IS ADVISED OF THE POSSIBILITY OF SUCH DAMAGES.

Foot  
F1  
Foot  
F2  
Foot  
F3  
Foot  
F4

Title <b>Arty Z7</b>		Rev <b>D.0</b>
Circuit PMods, User I/O		
Doc# 500-346		
Engineer IC		
Author GMA		
Date 6/29/2022		
Sheet# 1 out of 13	Copyright 2022	

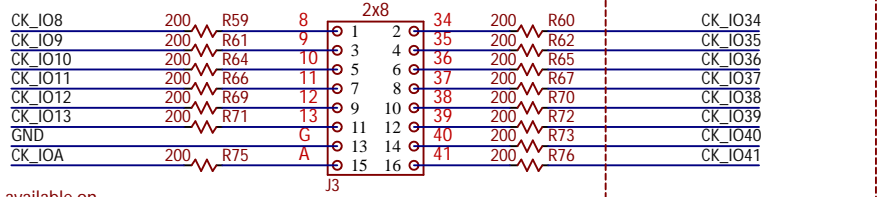


ANALOG



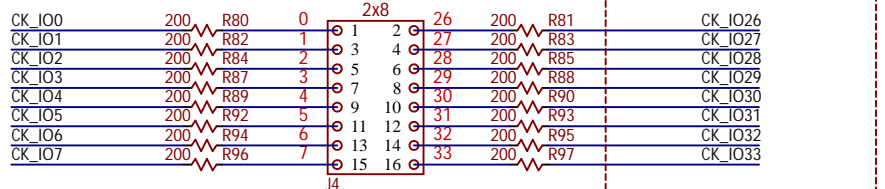
Note: Terminate N signals next to Analog Header

IOH

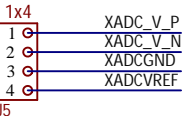


CK\_IOA available on -20 variant only

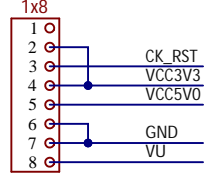
IOL



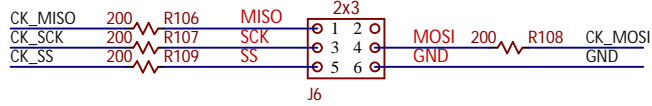
Available on -20 variant only



POWER

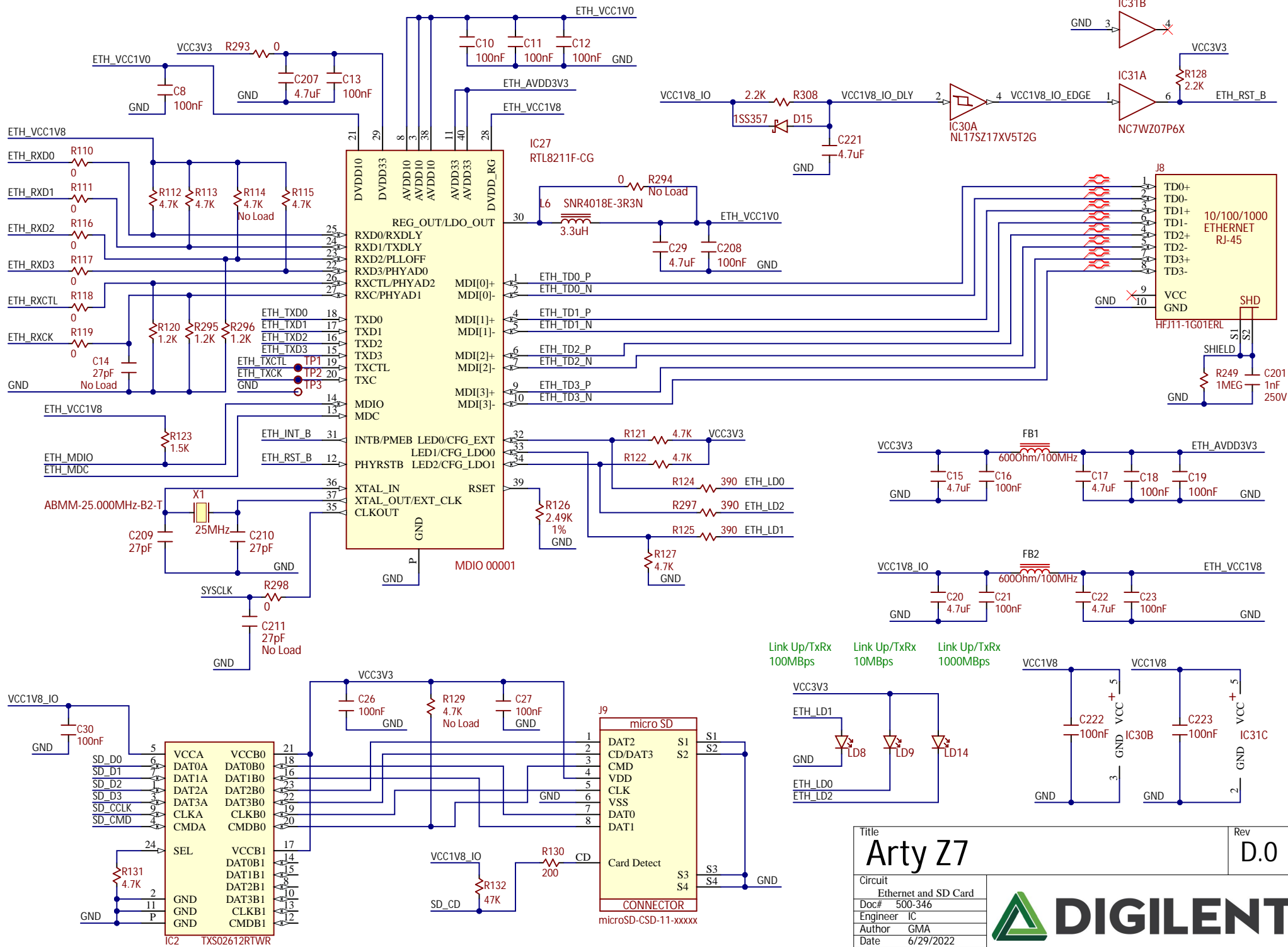


SPI



Title <b>Arty Z7</b>		Rev <b>D.0</b>
Circuit chipKIT IO		
Doc# 500-346		
Engineer IC		
Author GMA		
Date 6/29/2022		
Sheet# 2 out of 13		

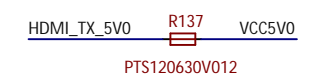
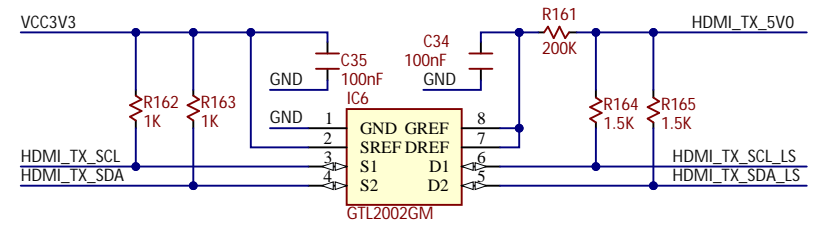
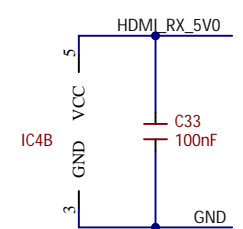
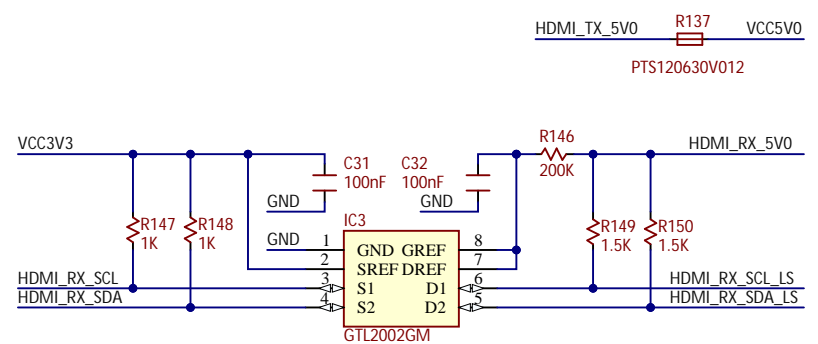
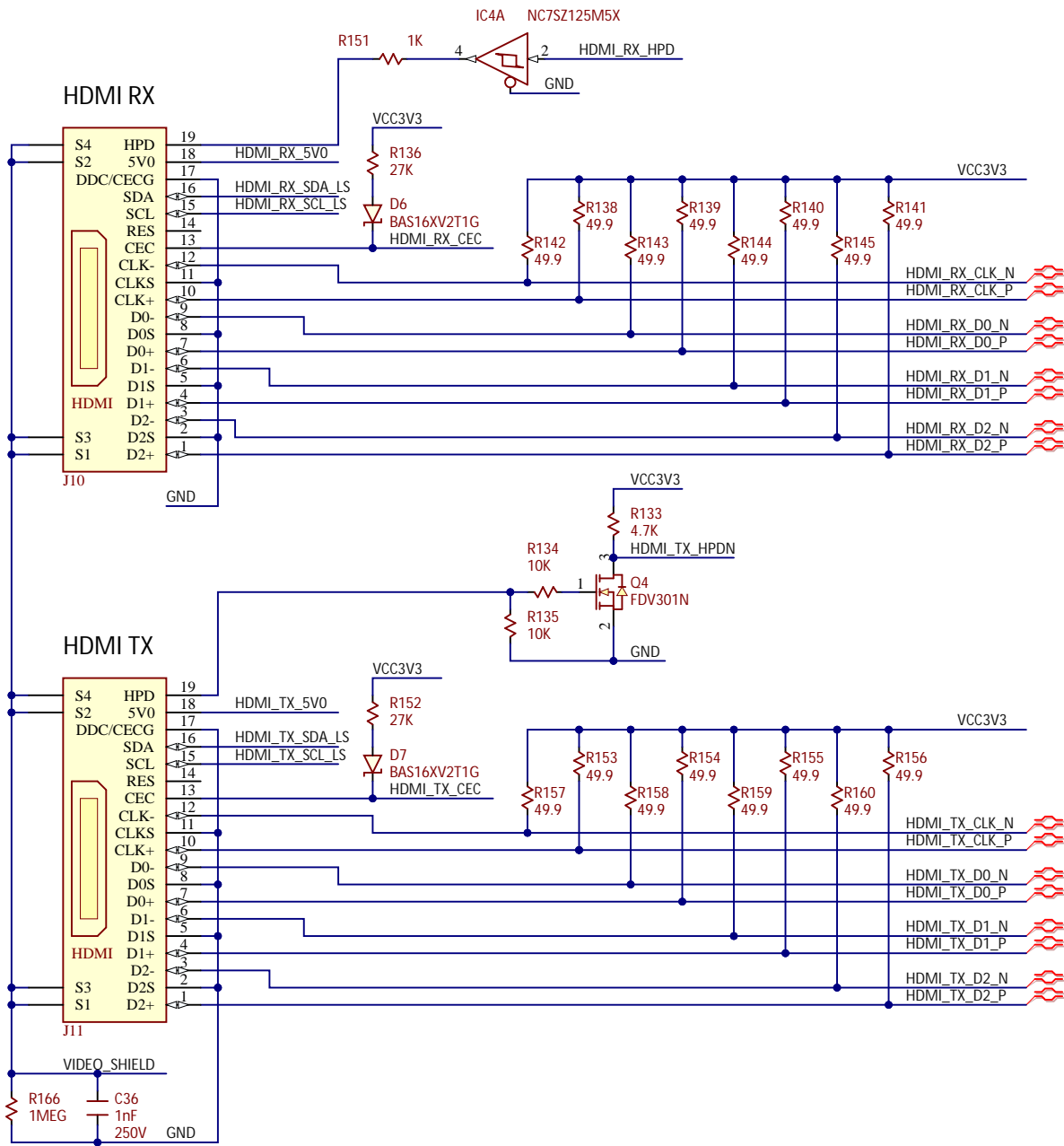
Copyright 2022



Title		Rev
<b>Arty Z7</b>		<b>D.0</b>
Circuit	Ethernet and SD Card	
Doc#	500-346	
Engineer	IC	
Author	GMA	
Date	6/29/2022	
Sheet#	3 out of 13	



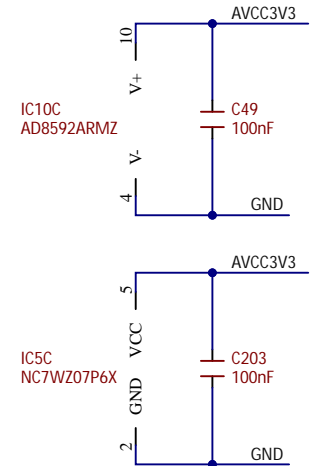
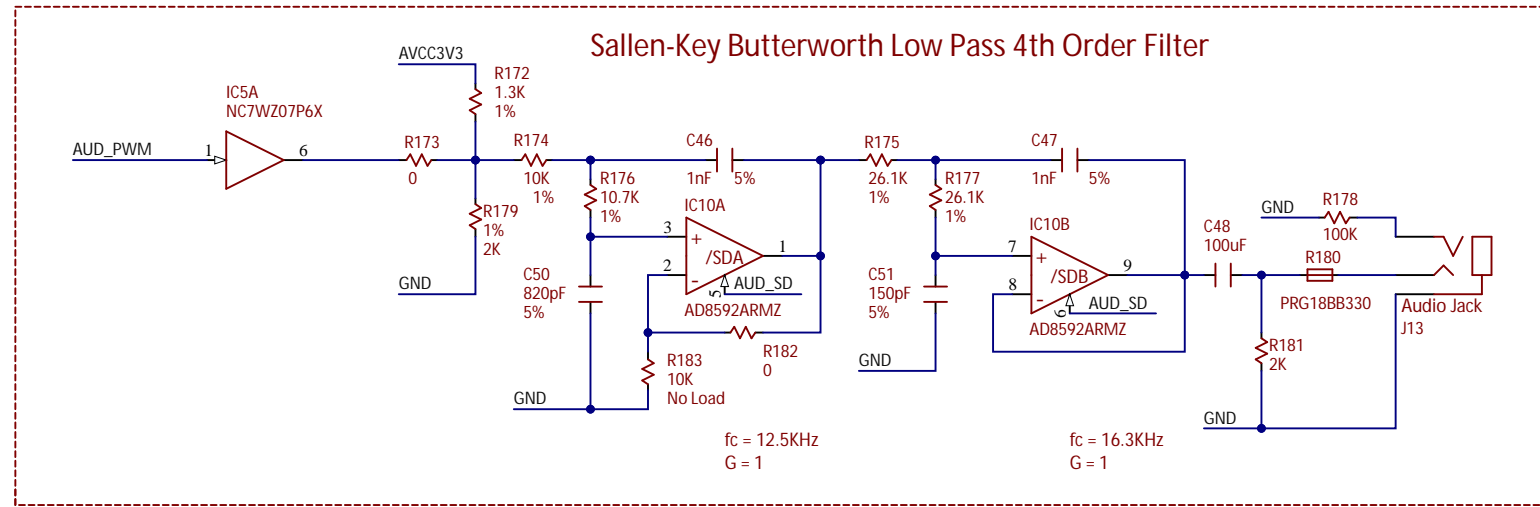
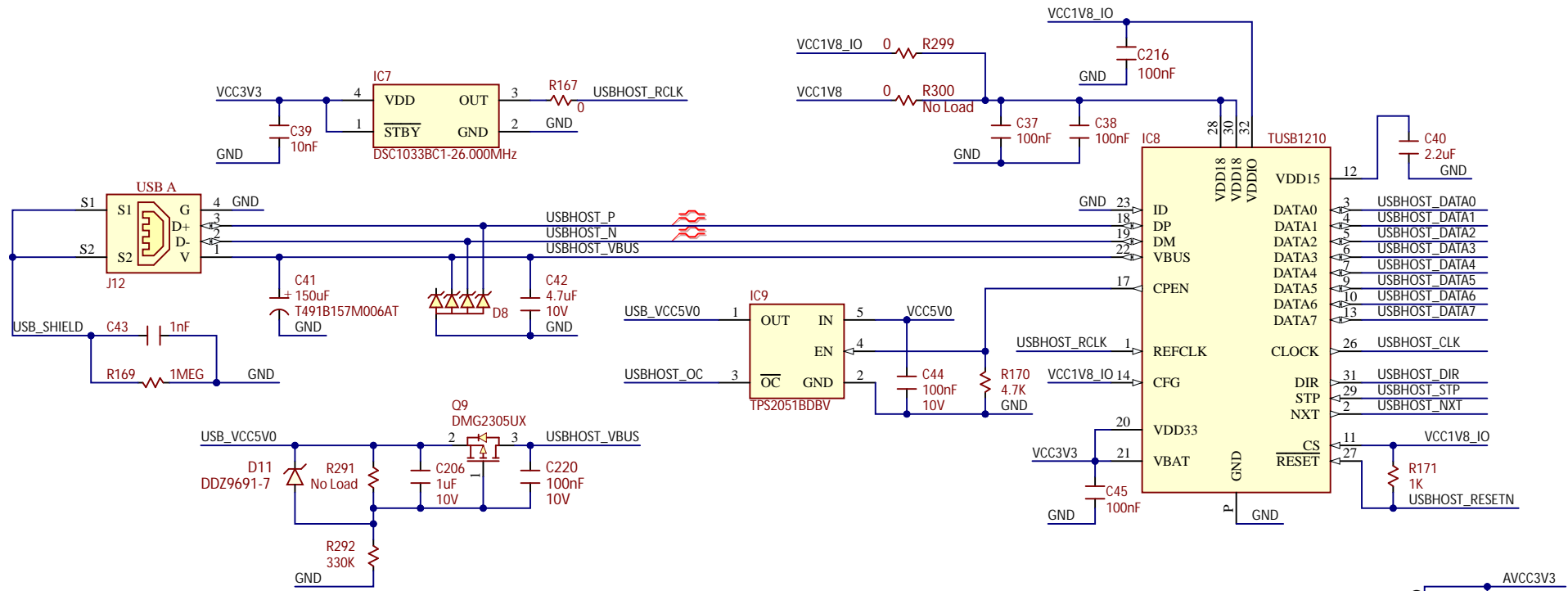
Copyright 2022



Title		Rev	
Arty Z7		D.0	
Circuit	HDMI		
Doc#	500-346		
Engineer	IC		
Author	GMA		
Date	6/29/2022		
Sheet#	4 out of 13		



Copyright 2022



Title		Rev
Arty Z7		D.0
Circuit	USB HOST, MIC, Audio Out	
Doc#	500-346	
Engineer	IC	
Author	GMA	
Date	6/29/2022	
Sheet#	5 out of 13	

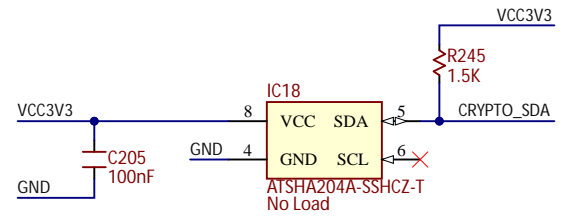
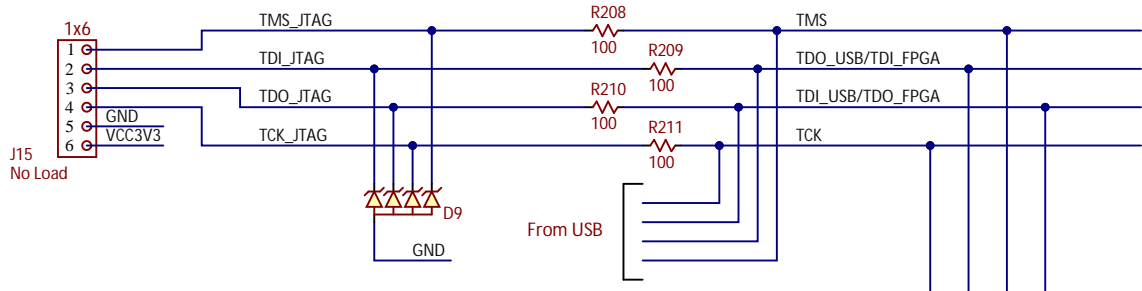


Copyright 2022

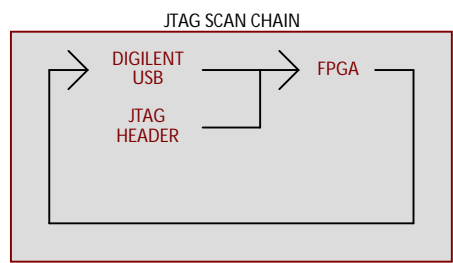
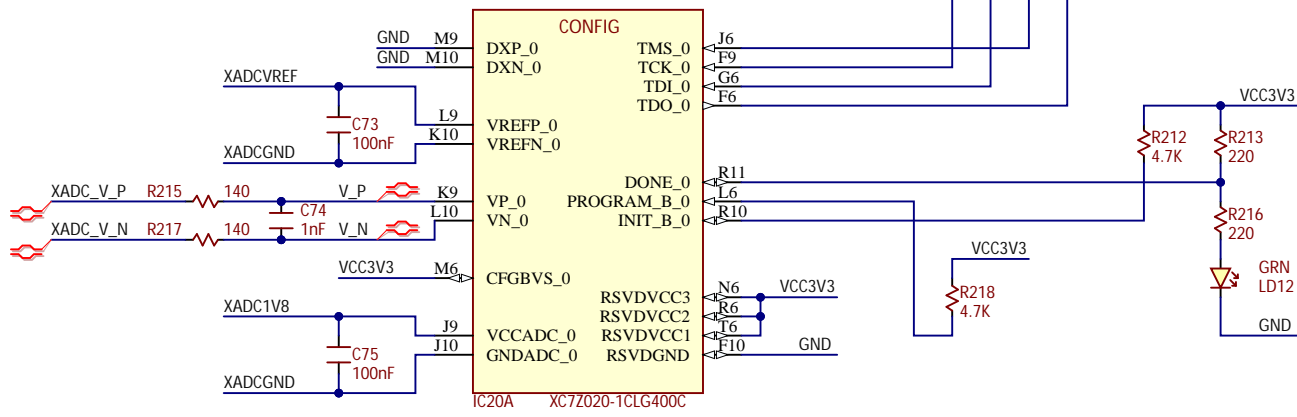
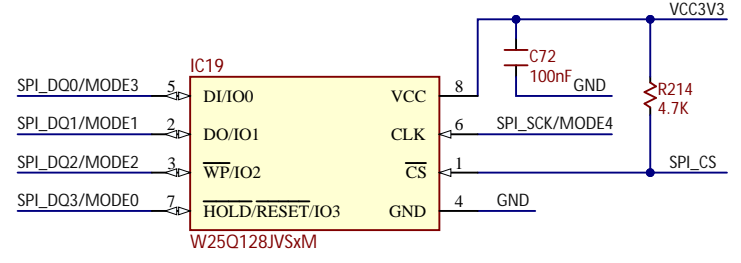
This Page Intentionally Left Blank

Title		Rev	
Arty Z7		D.0	
Circuit			
USB PROG. UART			
Doc# 500-346			
Engineer IC			
Author GMA			
Date 6/29/2022			
Sheet# 6		out of 13	





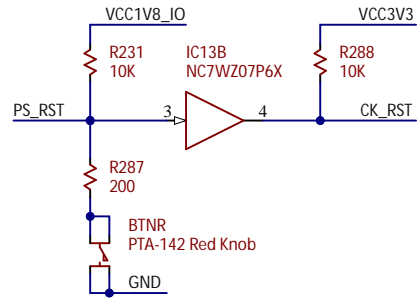
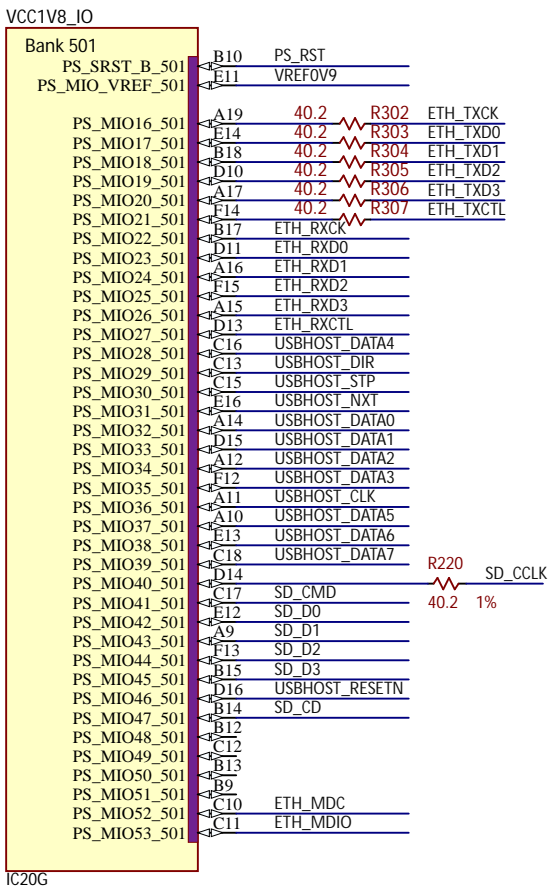
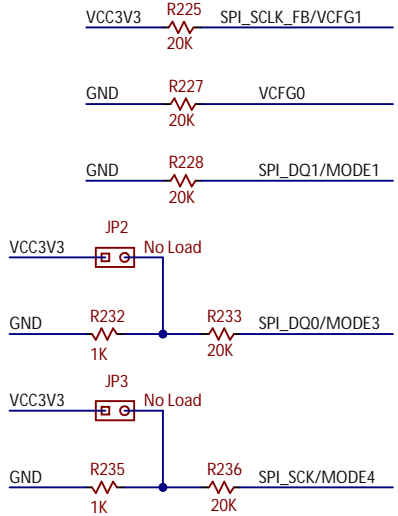
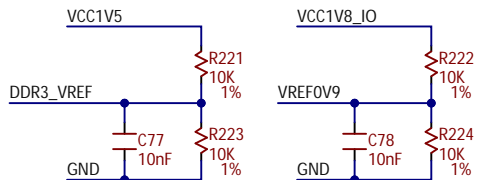
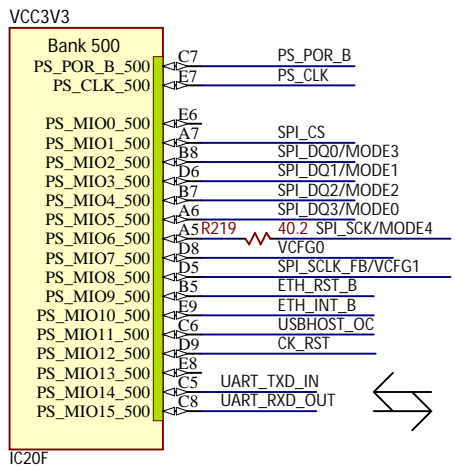
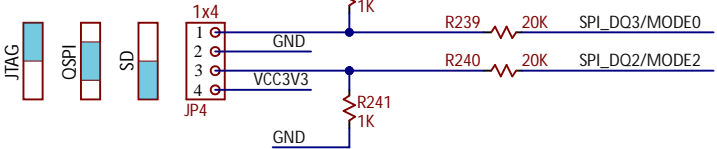
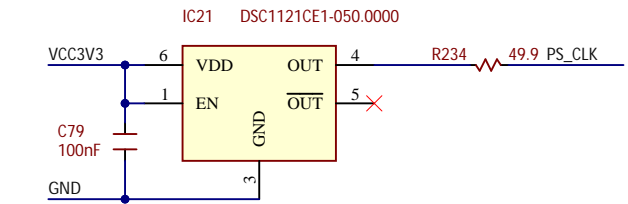
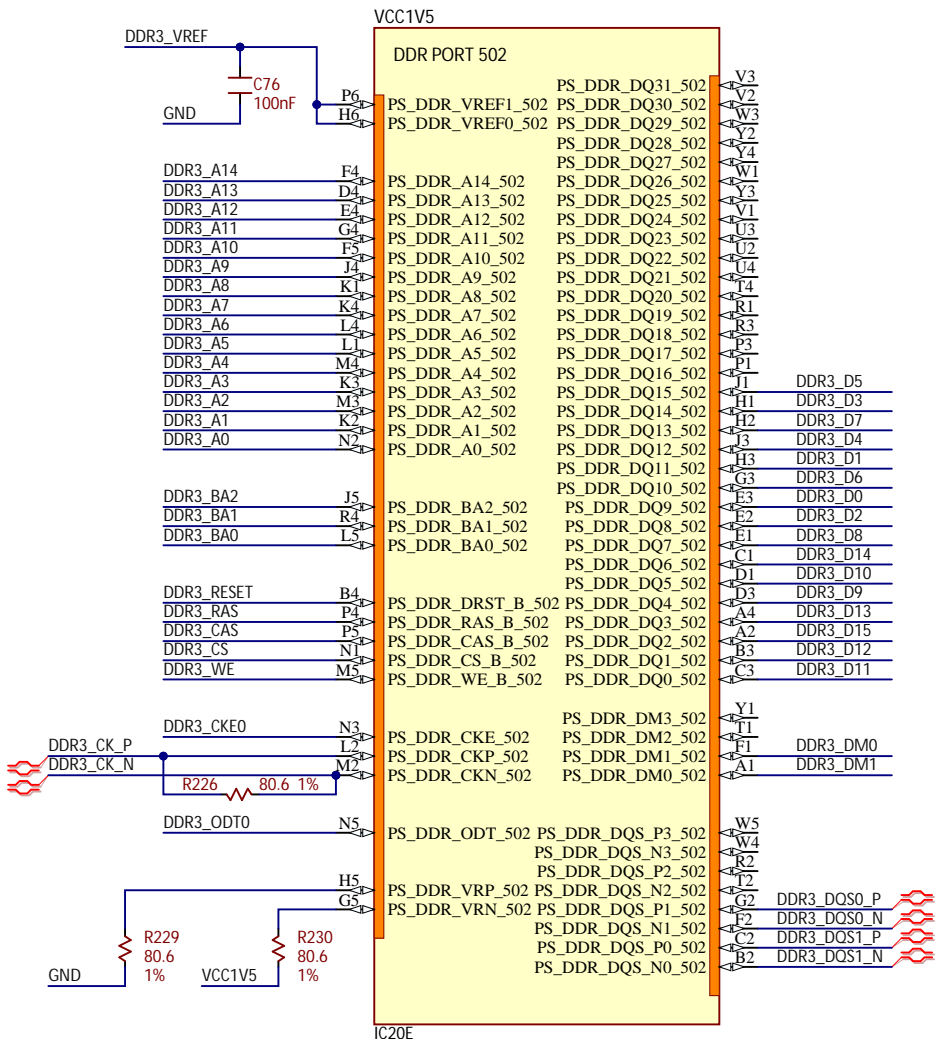
IC19: W25Q128JVSxM (SOIC8) and W25Q128JVPxM (WS0N8, 6x5mm) part numbers can be used alternatively, as the PCB footprint works for both.



Title <b>Arty Z7</b>		Rev <b>D.0</b>
Circuit FPGA Configuration, Flash		
Doc# 500-346		
Engineer IC		
Author GMA		
Date 6/29/2022		
Sheet# 7 out of 13		



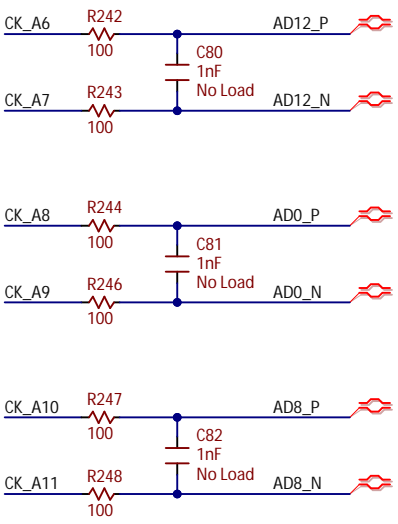
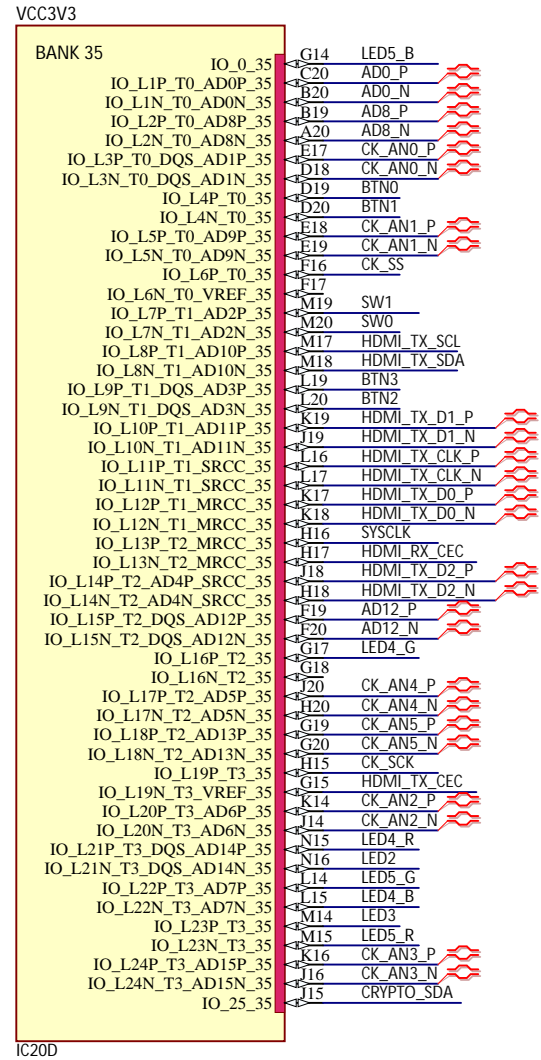
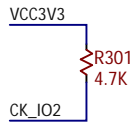
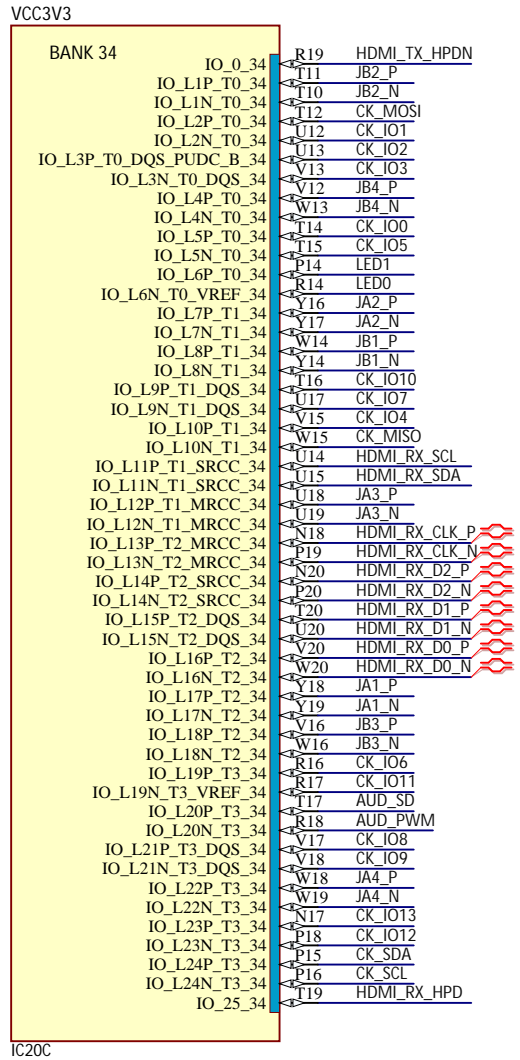
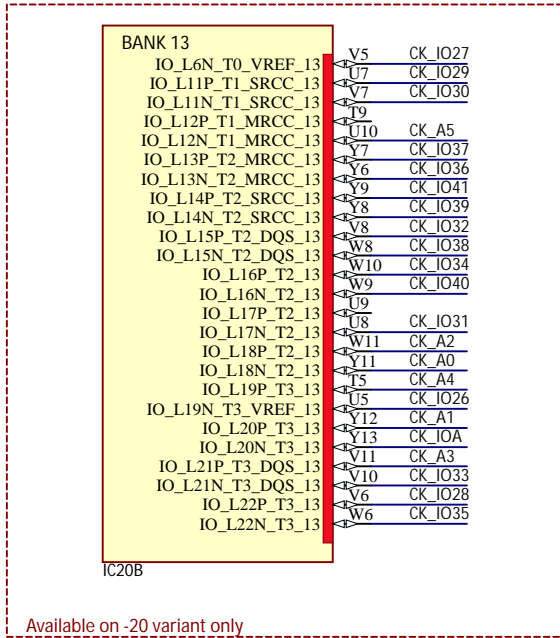
Copyright 2022



Title		Rev
Arty Z7		D.0
Circuit	DDR and MIO Banks	
Doc#	500-346	
Engineer	IC	
Author	GMA	
Date	6/29/2022	
Sheet#	8	out of 13

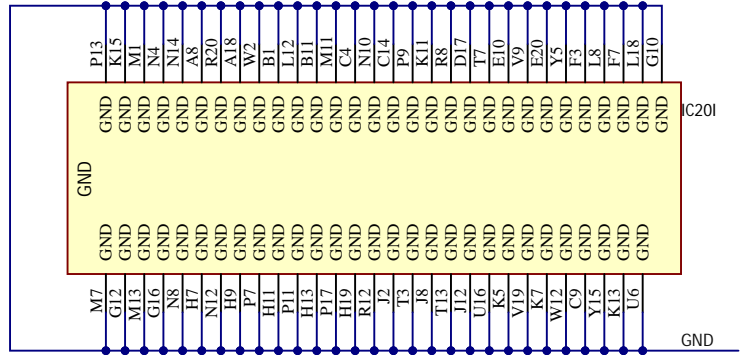
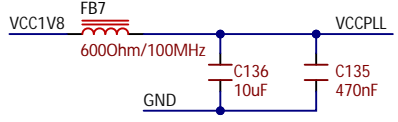
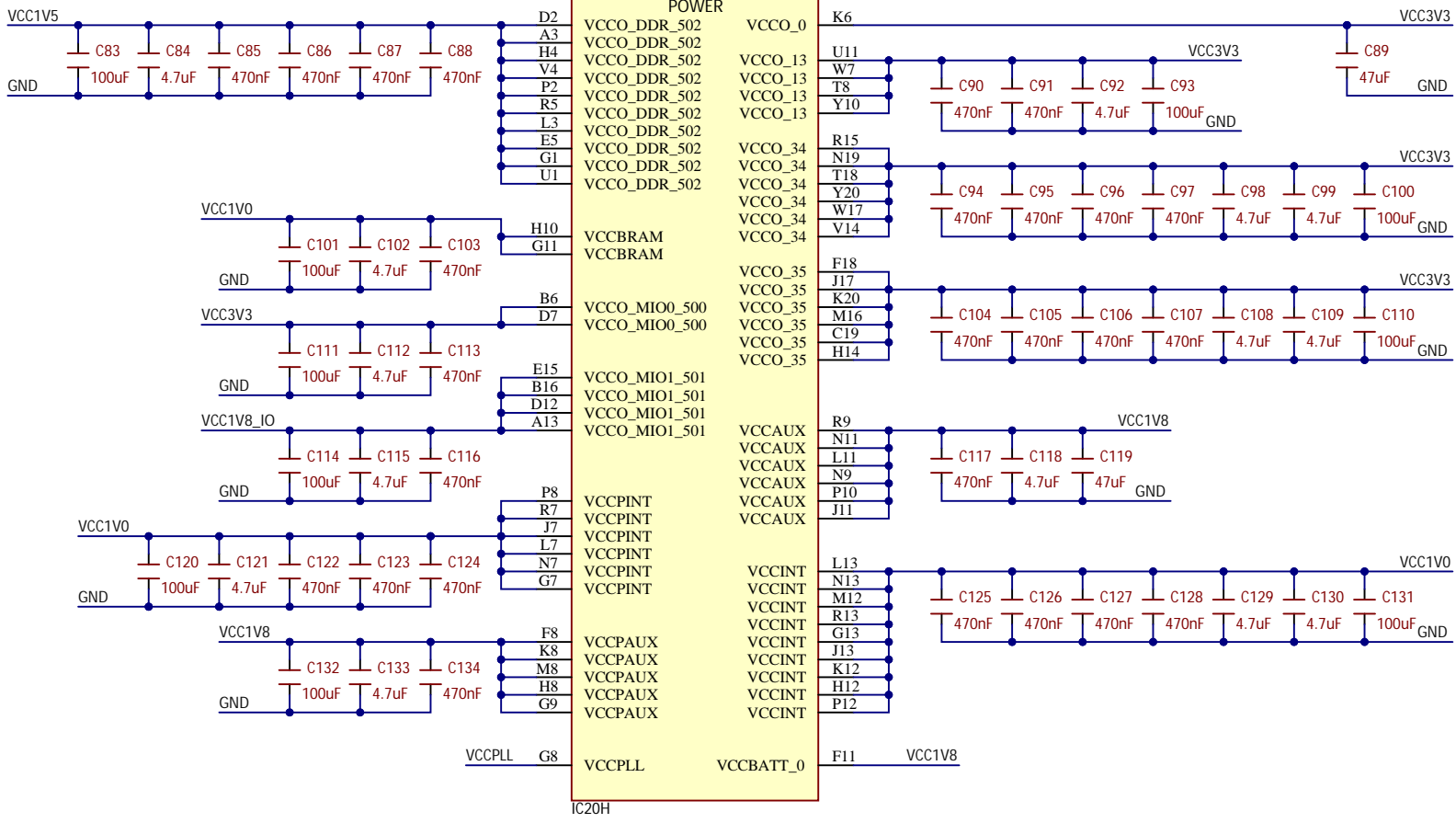
Copyright 2022





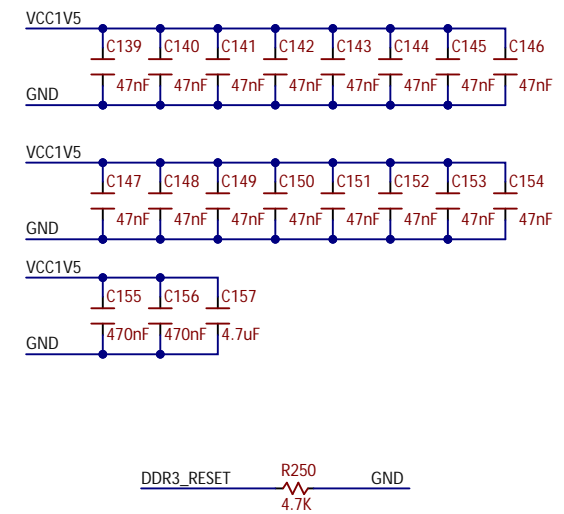
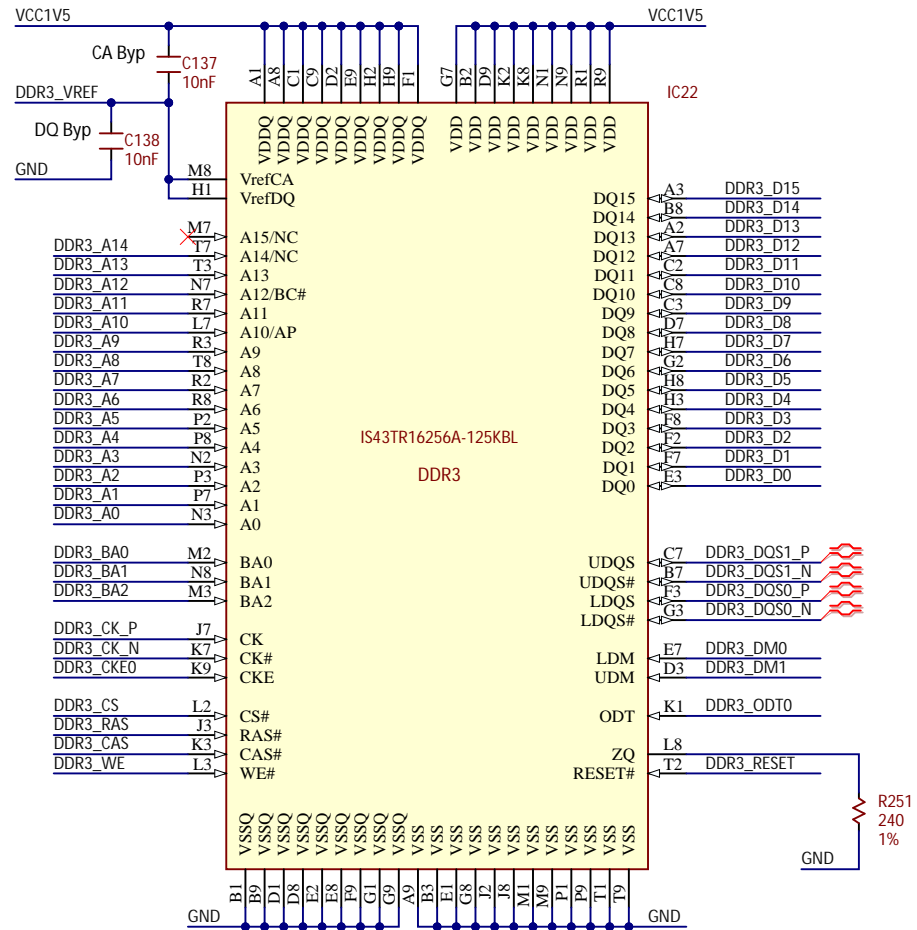
Title		Rev
<b>Arty Z7</b>		<b>D.0</b>
Circuit	FPGA Banks, Anti Alias Filt.	
Doc#	500-346	
Engineer	IC	
Author	GMA	
Date	6/29/2022	
Sheet#	9	out of 13

Copyright 2022



Title <b>Arty Z7</b>		Rev <b>D.0</b>
Circuit FPGA Power	Doc# 500-346	
Author GMA	Date 6/29/2022	
Sheet# 10	out of 13	

Copyright 2022

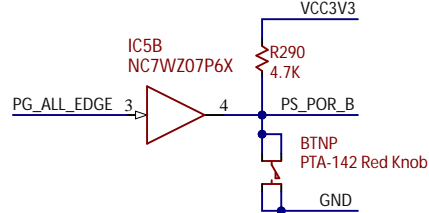
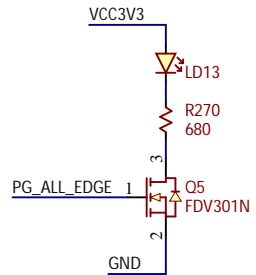
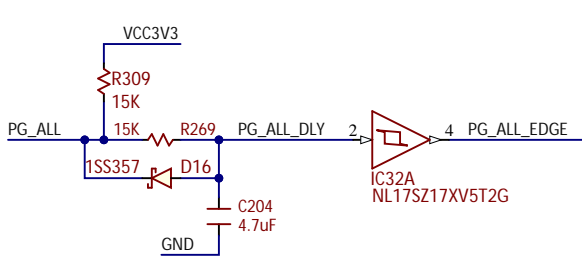
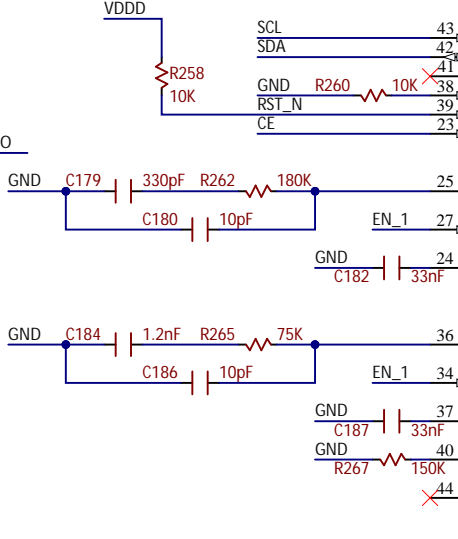
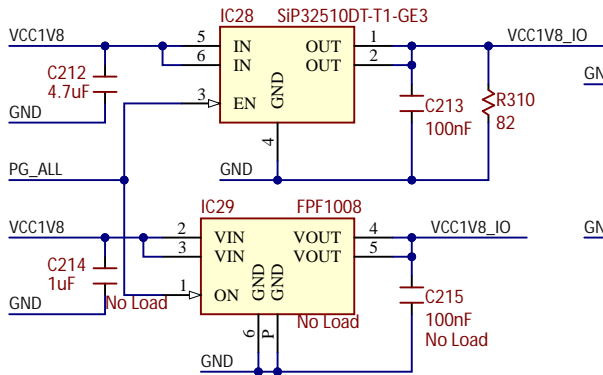
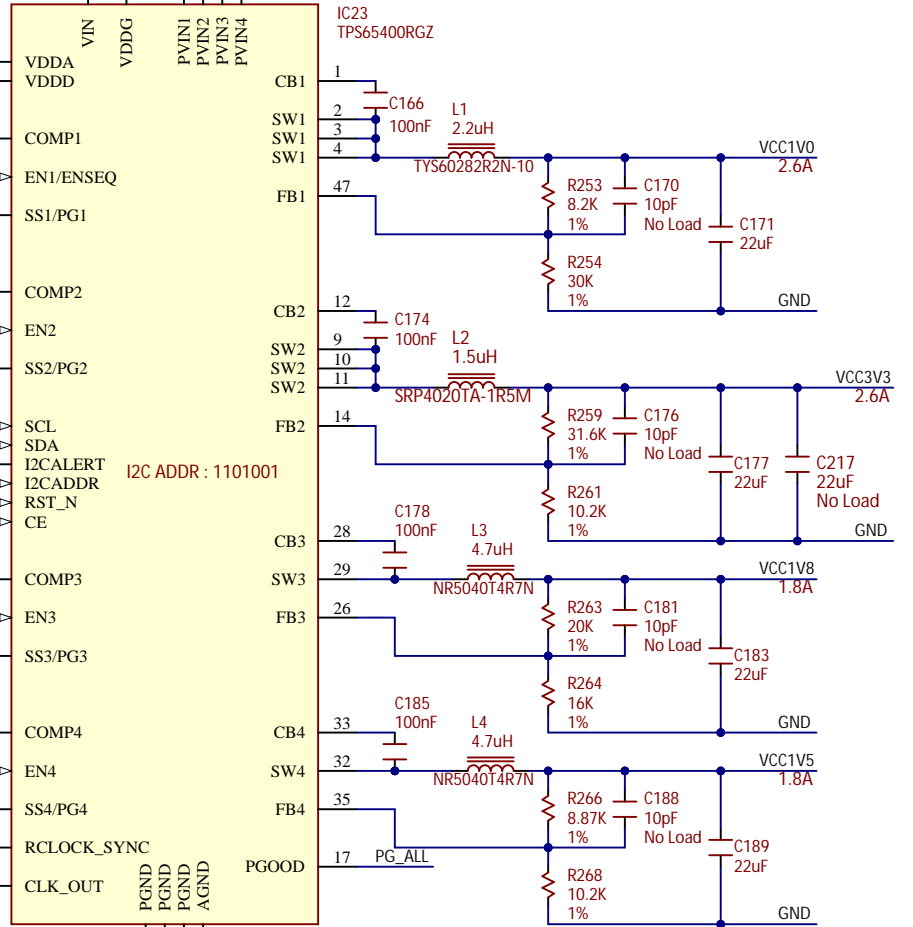
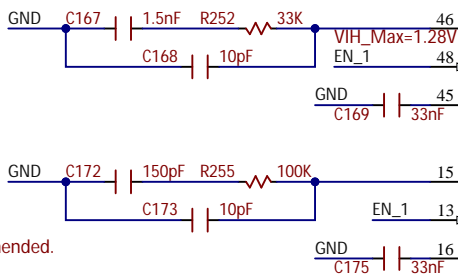
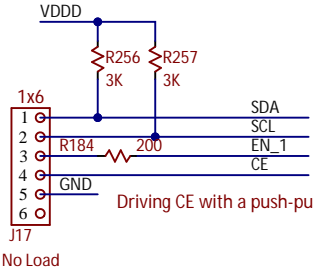
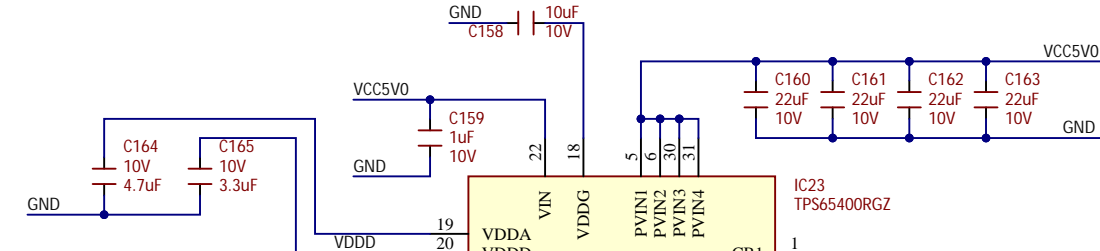
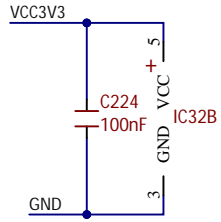


Title		Rev
Arty Z7		D.0
Circuit	DDR3 Memory	
Doc#	500-346	
Engineer	IC	
Author	GMA	
Date	6/29/2022	
Sheet#	11 out of 13	



Copyright 2022

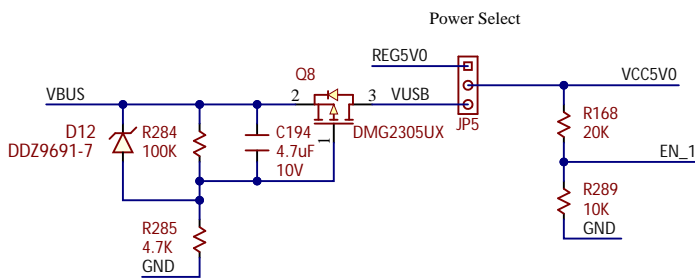
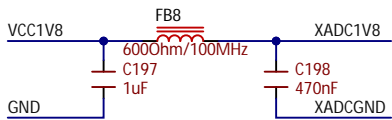
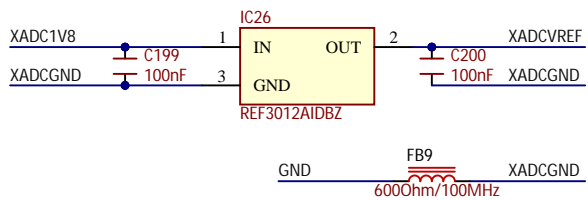
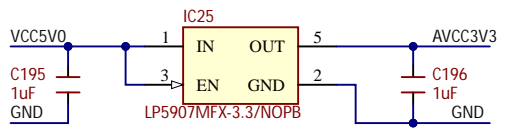
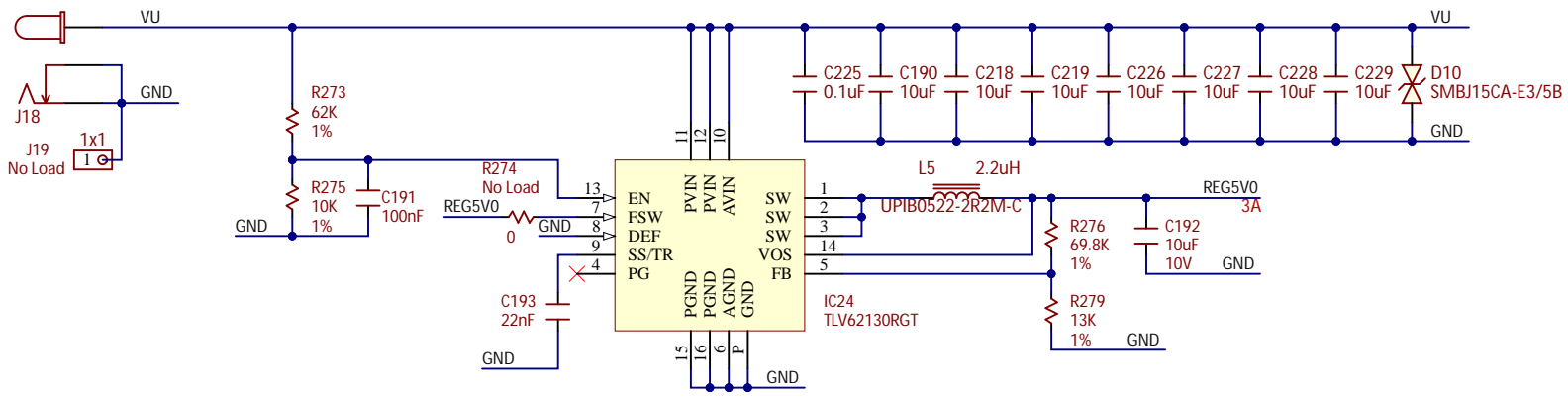
- VCC1V0
- VCC1V8
- VCC1V5
- VCC3V3
- VCC1V8\_IO



Title		Rev
Arty Z7		D.0
Circuit	Power Regulation	
Doc#	500-346	
Engineer	IC	
Author	GMA	
Date	6/29/2022	
Sheet#	12 out of 13	

Copyright 2022

Note: Input Voltage 7-15V.



Title <b>Arty Z7</b>		Rev <b>D.0</b>
Circuit Power Regulation		
Doc# 500-346		
Engineer IC		
Author GMA		
Date 6/29/2022		
Sheet# 13 out of 13		



Copyright 2022