

# USB-1608G Series

## 16-Bit High-Speed Multifunction DAQ Devices



USB-1608G Series provides eight differential or 16 single-ended analog inputs, two analog outputs (USB-1608GX-2AO), 8 digital I/O, and one counter input.

### Overview

USB-1608G Series devices are low-cost, high-speed, analog and digital I/O USB devices. All of these devices offer up to eight DIFF or 16 SE analog inputs, eight digital I/O channels, two counter inputs, and one timer output.

The USB-1608GX-2AO standard and OEM version offers two, 16-bit analog output channels with DAC rates up to 500 kS/s.

### Analog Input

USB-1608G Series devices provide 16-bit analog inputs that are software-selectable as eight DIFF or 16 SE inputs. These devices also support input ranges of  $\pm 10$  V,  $\pm 5$  V,  $\pm 2$  V, and  $\pm 1$  V that are software-selectable per channel.

### Analog Output (USB-1608GX-2AO only)

The USB-1608GX-2AO standard/OEM board has two 16-bit analog outputs that can be updated at a rate of 250 kS/s per channel; one output can be updated at a rate of 500 kS/s. The output range is fixed at  $\pm 10$  V.

### Trigger Input

USB-1608G Series devices have an external digital trigger input. The trigger mode is software-selectable for edge- or level-sensitive mode. You can configure edge-sensitive mode for either rising or falling edge. In level-sensitive mode, you can configure for either high or low level. The default setting at power up is edge-sensitive, rising edge.

### Retrigger Mode

Users can set up repetitive analog input trigger events. The trigger is automatically re-armed after it is activated. The A/D trigger count (the number of samples you want per trigger) is configurable with software.

### Digital I/O

Eight bidirectional digital I/O lines are individually configurable for input or output. The DIO terminals can detect the state of any TTL-level input. Users can configure for pull-up (+5 V) or pull-down (0 V) with an onboard jumper.

### Features

- 16-bit high-speed USB devices
- Acquisition rates up to 500 kS/s
- 8 differential (DIFF) or 16 single-ended (SE) analog inputs
- Up to 2 analog outputs
- 8 digital I/O
- Two 32-bit counter inputs
- One timer output
- OEM version available

### Supported Operating Systems

- Windows® 11/10/8/7/  
Vista®XP 32/64-bit
- Linux®
- Android™

### Counter Input

Two 32-bit event counters are provided to count TTL pulses. The counters accept inputs of up to 20 MHz.

### Timer Output

The PWM timer output generates a pulse output with a programmable frequency in the range of 0.0149 Hz to 32 MHz. The timer output parameters are software-selectable.

USB-1608G Series Selection Chart

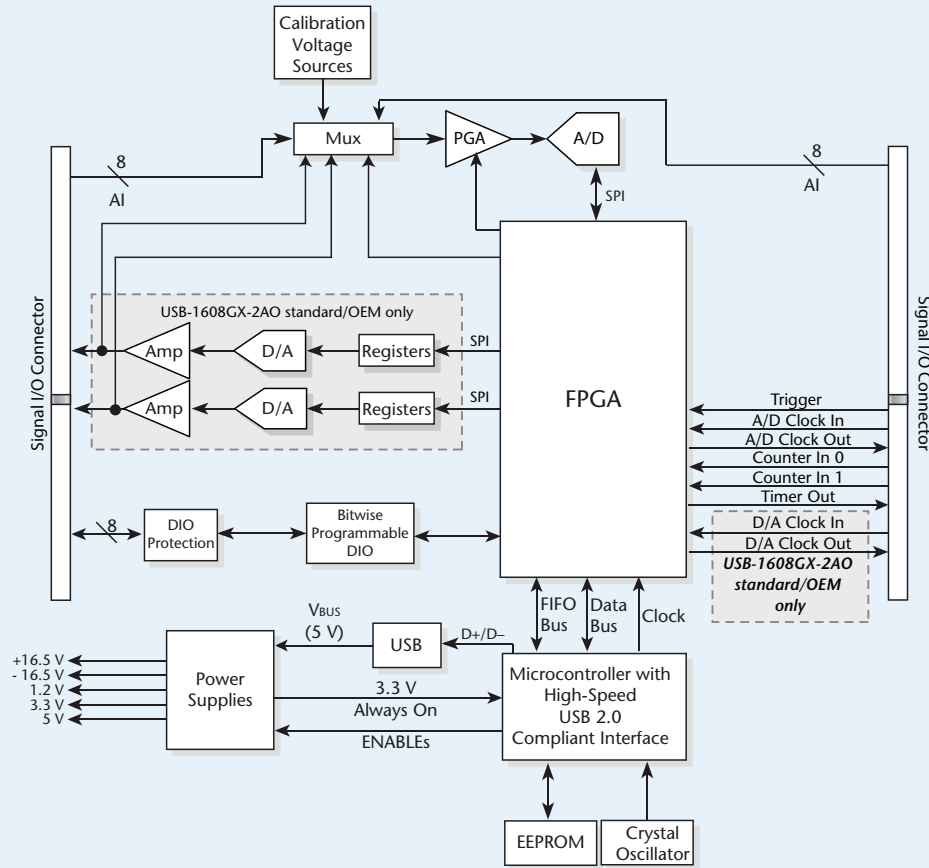
Model	Analog Inputs	Sample Rate (max)	Analog Outputs	Signal I/O	USB Cable and SW CD
USB-1608G	16 SE/8 DIFF	250 kS/s	0	Screw Terminal	✓
USB-1608GX	16 SE/8 DIFF	500 kS/s	0	Screw Terminal	✓
USB-1608GX-2AO	16 SE/8 DIFF	500 kS/s	2	Screw Terminal	✓
USB-1608G-OEM	16 SE/8 DIFF	250 kS/s	0	Header	–
USB-1608GX-OEM	16 SE/8 DIFF	500 kS/s	0	Header	–
USB-1608GX-2AO-OEM	16 SE/8 DIFF	500 kS/s	2	Header	–

# USB-1608G Series

## Overview



### USB-1608G Series Block Diagram



### Clock Output

The AI clock pin outputs the signal from the internal clock.

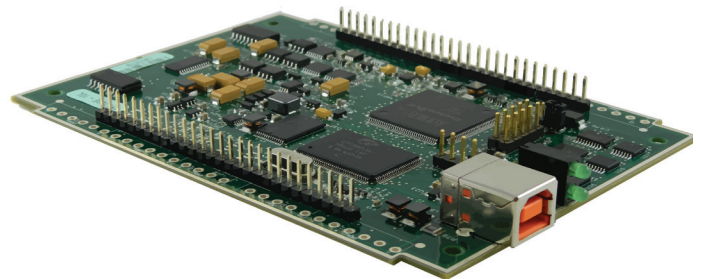
### Calibration

The USB-1608G Series is factory-calibrated using a NIST-traceable calibration process. Specifications are guaranteed for one year.

The USB-1608G Series also supports field calibration for users to calibrate the device locally with the InstaCal utility.

### USB-1608G Series OEM Versions

OEM versions have board-only form factors with header connectors for OEM and embedded applications (no case, CD, or USB cable included). All devices can be further customized to meet customer needs.



The OEM versions have the same specifications as the standard devices, but come in a board-only form factor with header connectors instead of screw terminals.

# USB-1608G Series

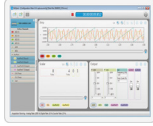
## Software

### Software Support

USB-1608G Series devices are supported by the software in the table below.

#### Ready-to-Run Applications

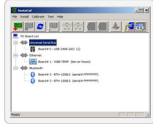
##### [DAQami™](#)



Data acquisition companion software with drag-and-drop interface that is used to acquire, view, and log data, and generate signals. DAQami can be configured to log analog, digital, and counter channels, and to view that data in real-time or post-acquisition on user-configurable displays. Logged data can be exported for use in Excel® or MATLAB®. Windows OS

DAQami is included with the free MCC DAQ Software bundle.

##### [InstaCal™](#)



An interactive installation, configuration, and test utility for MCC hardware. Windows OS

InstaCal is included with the free MCC DAQ Software bundle.

##### [TracerDAQ™ and TracerDAQ Pro](#)



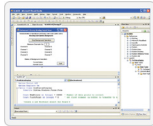
Virtual strip chart, oscilloscope, function generator, and rate generator applications used to generate, acquire, analyze, display, and export data. Supported features may vary by hardware. The Pro version provides enhanced features. Windows OS

TracerDAQ is included with the free MCC DAQ Software bundle.

TracerDAQ Pro is available as a purchased software download.

#### General-Purpose Programming Support

##### [Universal Library™ \(UL\) for Windows](#)



Library for developing applications in C, C++, VB, C# .Net, VB .Net, and Python on Windows.

The UL for Windows is included with the free MCC DAQ Software bundle.

The UL Python API for Windows is available on GitHub (<https://github.com/mccdaq/mcculw>).

##### [UL for Linux®](#)



Library for developing applications in C, C++, and Python on Linux.

UL for Linux is available on GitHub (<https://github.com/mccdaq/uldaq>).

Open-source, third-party Linux drivers are also available for supported MCC devices.

##### [UL for Android™](#)

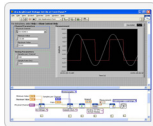


Library of Java classes for programmers who develop apps for Android-based mobile devices. UL for Android communicates with select MCC DAQ devices. Supports Android project development on Windows, Linux, Mac OS X.

UL for Android is included with the free MCC DAQ Software bundle.

#### Application-Specific Programming Support

##### [ULx for NI LabVIEW™](#)



A comprehensive library of VIs and example programs for NI LabVIEW that is used to develop custom applications that interact with most MCC devices. Windows OS

ULx for NI LabVIEW is included with the free MCC DAQ Software bundle.

##### [DASYLab®](#)



Icon-based data acquisition, graphics, control, and analysis software that allows users to create complex applications in minimal time without text-based programming. Windows OS

DASYLab is available as a purchased software download. An evaluation version is available for 28 days.

##### [MATLAB® driver](#)



High-level language and interactive environment for numerical computation, visualization, and programming. The Mathworks Data Acquisition Toolbox™ allows users to acquire data from most MCC PCI and USB devices.

Visit [www.MathWorks.com](http://www.MathWorks.com) for more information about the Data Acquisition Toolbox.

# USB-1608G Series

## Specifications



### Specifications

These specifications apply to both standard and OEM versions unless noted.

#### Analog Input

A/D converter type: Successive approximation

ADC resolution: 16 bits

Number of channels: 8 DIFF, 16 SE; software-selectable

Input voltage range:  $\pm 10$  V,  $\pm 5$  V,  $\pm 2$  V,  $\pm 1$  V; software-selectable per channel

Absolute maximum input voltage

CHx relative to AGND:  $\pm 25$  V max (power on);  $\pm 15$  V max (power off)

Input Impedance: 1 G $\Omega$  (power on); 820  $\Omega$  (power off)

Input bias current:  $\pm 10$  nA

Input bandwidth, all input ranges, small signal ( $-3$  dB)

USB-1608G: 750 kHz

USB-1608GX/1608GX-2AO: 870 kHz

Input capacitance: 60 pF

Maximum working voltage (signal + common mode)

$\pm 10$  V range:  $\pm 10.2$  V max relative to AGND

$\pm 5$  V range:  $\pm 10.2$  V max relative to AGND

$\pm 2$  V range:  $\pm 9.5$  V max relative to AGND

$\pm 1$  V range:  $\pm 9.0$  V max relative to AGND

Common mode rejection ratio

$f_{IN} = 60$  Hz, all input ranges: 86 dB

Crosstalk

Adjacent differential mode channels, DC to 100 kHz:  $-75$  dB

Input coupling: DC

Sampling rate (software-selectable)

USB-1608G: 0.0149 Hz to 250 kHz

USB-1608GX/1608GX-2AO: 0.0149 Hz to 500 kHz

Trigger source: TRIG (refer to "External Trigger" on page 5)

Sample clock source: Internal A/D clock or external A/D clock (AICKI terminal)

Burst mode: Software-selectable using the internal A/D clock; always enabled when using the external clock (AICKI terminal)

USB-1608G: 4  $\mu$ s

USB-1608GX/1608GX-2AO: 2  $\mu$ s

Throughput

Software paced: 33 to 4000 S/s typ, system dependent

Hardware paced

USB-1608G: 250 kS/s max

USB-1608GX/1608GX-2AO: 500 kS/s max

Channel gain queue: Up to 16 elements; software-selectable range for each channel

Warm-up time: 15 minutes min

Analog Input DC Voltage Measurement						
All Values are ( $\pm$ )						
Range	Gain Error (% of Reading)	Offset Error ( $\mu$ V)	INL Error (% of Range)	Absolute Accuracy at Full Scale ( $\mu$ V)	Gain Temperature Coefficient (% reading/ $^{\circ}$ C)	Offset Temperature Coefficient ( $\mu$ V/ $^{\circ}$ C)
$\pm 10$ V	0.024	915	0.0076	4075	0.0014	47
$\pm 5$ V	0.024	686	0.0076	2266	0.0014	24
$\pm 2$ V	0.024	336	0.0076	968	0.0014	10
$\pm 1$ V	0.024	245	0.0076	561	0.0014	5

Noise Performance*		
Range	Counts	LSBrms
$\pm 10$ V	6	0.91
$\pm 5$ V	6	0.91
$\pm 2$ V	7	1.06
$\pm 1$ V	9	1.36

\* For the peak-to-peak noise distribution test, a differential input channel is connected to AGND at the input terminal block, and 32,000 samples are acquired at the maximum rate available at each setting.

Settling Time**			
USB-1608G			
Range	4 $\mu$ S settling accuracy (% FSR)	6 $\mu$ S settling accuracy (% FSR)	10 $\mu$ S settling accuracy (% FSR)
$\pm 10$ V	0.0061	0.0031	0.0015
$\pm 5$ V	0.0061	0.0031	0.0015
$\pm 2$ V	0.0061	0.0031	0.0015
$\pm 1$ V	0.0061	0.0031	0.0015
USB-1608GX/1608GX-2AO			
Range	2 $\mu$ S settling accuracy (% FSR)	4 $\mu$ S settling accuracy (% FSR)	9 $\mu$ S settling accuracy (% FSR)
$\pm 10$ V	0.1251	0.0031	0.0015
$\pm 5$ V	0.0687	0.0031	0.0015
$\pm 2$ V	0.0687	0.0031	0.0015
$\pm 1$ V	0.0687	0.0031	0.0015

\*\* Settling time is defined as the expected accuracy after one conversion when switching from a channel with a DC input at one extreme of full scale to another channel with a DC input at the other extreme of full scale. Both input channels are configured for the same input range.

#### Analog Output (USB-1608GX-2AO only)

Number of channels: 2 (leave unused AOUTx output channels disconnected)

Resolution: 16 bits

Output range:  $\pm 10$  V (calibrated)

Output transient

Host computer is reset, powered on, suspended, or a reset command is issued to the device

Duration: 500  $\mu$ s

Amplitude: 2 V pk-pk

Powered off

Duration: 10 ms

Amplitude: 7 V peak

Differential non-linearity:  $\pm 0.25$  LSB typ;  $\pm 1$  LSB max

Output current

AOUTx:  $\pm 3.5$  mA max

Output short-circuit protection

AOUTx connected to AGND: Unlimited duration

Output coupling: DC

Power on and reset state

DACs cleared to zero-scale: 0 V,  $\pm 50$  mV (AOUTx defaults to 0 V when the host is reset, powered on, suspended, or a reset command is issued to the device)

Output noise: 30  $\mu$ Vrms

Trigger source: TRIG (refer to "External Trigger" on page 5)

Sample clock source: Internal D/A clock or external D/A clock (AOCKI terminal)

Output update rate: 500 kHz/number of channels in the scan

Settling Time

To rated accuracy, 10 V step: 40  $\mu$ s

Slew rate: 9 V/ $\mu$ s

Throughput

Software paced: 33 S/s to 4000 S/s typ, system-dependent

Hardware paced: 500 kS/s max, system-dependent

# USB-1608G Series

## Specifications



### Calibrated Absolute Accuracy

Range:  $\pm 10$  V  
Absolute accuracy ( $\pm$  LSB): 16.0

### Calibrated Absolute Accuracy Components

Range:  $\pm 10$  V  
% of reading:  $\pm 0.0183$   
Offset ( $\pm$ mV): 1.831  
Offset Tempco ( $\mu$ V/ $^{\circ}$ C): 12.7  
Gain Tempco (ppm of range/ $^{\circ}$ C): 13

### Analog Output Relative Accuracy

Range:  $\pm 10$  V  
Relative accuracy (INL): 4.0 typ

### Analog Input/Output Calibration

Recommended Warm-up Time: 15 minutes min  
Calibration method: Self-calibration (firmware)  
Calibration interval: 1 year (factory calibration)  
AI calibration reference  
+5 V,  $\pm 2.5$  mV max (actual measured values stored in EEPROM)  
Tempco: 5 ppm/ $^{\circ}$ C max  
Long term stability: 15 ppm/1000 hours  
AOUTx calibration procedure (USB-1608GX-2AO only)  
The AOUTx terminals are internally routed to the AI circuit. For best results, disconnect AOUTx connections at the terminal block before calibrating.

### Digital I/O

Digital type: CMOS  
Number of I/O: 8  
Configuration: Bit-configurable as input (power on default) or output  
Pull-up configuration: 47 k $\Omega$  resistors configurable as pull-up/down (default) via internal jumper (W1).  
Digital I/O transfer rate (system-paced): 33 to 8000 port reads/writes or single bit reads/writes per second typ, system dependent.  
Input high voltage: 2.0 V min, 5.5 V absolute max  
Input low voltage: 0.8 V max, -0.5 V absolute min, 0 V recommended min  
Output high voltage: 4.4 V min (IOH = -50  $\mu$ A), 3.76 V min (IOH = -2.5 mA)  
Output low voltage: 0.1 V max (IOL = 50  $\mu$ A), 0.44 V max (IOL = 2.5 mA)  
Output current:  $\pm 2.5$  mA max

### External Trigger

Trigger source: TRIG input  
Trigger mode: Software configurable for edge or level sensitive, rising or falling edge, high or low level. Power on default is edge sensitive, rising edge.  
Trigger latency: 1  $\mu$ s + 1 clock cycle max  
Trigger pulse width: 100 ns min  
Input type: Schmitt trigger, 33  $\Omega$  series resistor and 49.9 k $\Omega$  pull-down to ground  
Schmitt trigger hysteresis: 0.4 V to 1.2 V  
Input high voltage: 2.2 V min, 5.5 V absolute max  
Input low voltage: 1.5 V max, -0.5 V absolute min, 0 V recommended min

### External Clock I/O

Terminal names  
AICKI, AICKO  
USB-1608GX-2AO: AICKI, AICKO AOCKI, AOCKO  
Terminal types  
AxCKI: Input, active on rising edge  
AxCKO: Output, power on default is 0 V, active on rising edge  
Terminal descriptions  
AxCKI: Receives sampling clock from external source  
AxCKO: Outputs the internal sampling clock (D/A or A/D clock) or the pulse generated from AxCKI when in external clock mode.  
Input clock rate  
USB-1608G: 250 kHz max  
USB-1608GX/1608GX-2AO: 500 kHz max  
Clock pulse width  
AxCKI: 400 ns min  
AxCKO: 400 ns min

Input type: Schmitt trigger, 33  $\Omega$  series resistor, 47 k $\Omega$  pull-down to ground  
Schmitt trigger hysteresis: 0.4 V to 1.2 V  
Input high voltage: 2.2 V min, 5.5 V absolute max  
Input low voltage: 1.5 V max, -0.5 V absolute min, 0 V recommended min  
Output high voltage: 4.4 V min (IOH = -50  $\mu$ A), 3.76 V min (IOH = -2.5 mA)  
Output low voltage: 0.1 V max (IOL = 50  $\mu$ A), 0.44 V max (IOL = 2.5 mA)  
Output current:  $\pm 2.5$  mA max

### Counter Input

Terminal names: CTR0, CTR1  
Number of channels: 2 channels  
Resolution: 32-bit  
Counter type: Event counter  
Input type: Schmitt trigger, 33  $\Omega$  series resistor, 47 k $\Omega$  pull-down to ground  
Input source:  
CTR0 (terminal 52)  
CTR1 (terminal 51)  
Counter read/Writes rates (Software-paced) : 33 to 8000 reads/writes per second typ, system dependent  
Input high voltage: 2.2 V min, 5.5 V max  
Input low voltage: 1.5 V max, -0.5 V min  
Schmitt trigger hysteresis: 0.4 V min, 1.2 V max  
Input frequency: 20 MHz, max  
High pulse width: 25 ns, min  
Low pulse width: 25 ns, min

### Timer Output

Timer terminal name: TMR  
Timer type: PWM output with count, period, delay, and pulse width registers  
Output value: Idle low with pulses high, software-selectable output invert  
Internal clock frequency: 64 MHz  
Register widths: 32-bit  
High pulse width: 15.625 ns min  
Low pulse width: 15.625 ns min  
Output high voltage: 4.4 V min (IOH = -50  $\mu$ A), 3.76 V min (IOH = -2.5 mA)  
Output low voltage: 0.1 V max (IOL = 50  $\mu$ A), 0.44 V max (IOL = 2.5 mA)  
Output Current:  $\pm 2.5$  mA max

### Memory

Data FIFO:  
USB-1608G/1608GX: 4 kS analog input  
USB-1608GX-2AO: 4 kS analog input, 2 kS analog output  
Non-volatile memory: 32 KB (28 KB firmware storage, 4 KB calibration/user data)

### Power

Supply current  
The total quiescent current requirement includes up to 10 mA for the Status LED; this does not include any potential loading of the digital I/O bits, +5 V terminal, or the AOUTx outputs (USB-1608GX-2AO only).  
Quiescent Current  
USB-1608G/1608GX: 230 mA  
USB-1608GX-2AO: 260 mA  
+5 V user output voltage range (available at Terminal 43): 4.5 V min to 5.25 V max  
+5 V user output current (available at terminal 43): 10 mA max

### Environmental

Operating temperature range: 0  $^{\circ}$ C to 55  $^{\circ}$ C max  
Storage temperature range: -40  $^{\circ}$ C to 85  $^{\circ}$ C max  
Humidity: 0% to 90% non-condensing max

### Mechanical

Signal I/O connector  
-OEM models: Two 28-pin, 0.1 in. pitch headers  
All other devices: 2 banks of screw-terminal blocks (wire gauge range 16 AWG to 30 AWG)  
Dimensions (L x W x H):  
Standard version: 127 x 89.9 x 35.6 mm (5.00 x 3.53 x 1.40 in.)  
OEM version: 121.92 x 86.36 x 15.24 (4.80 x 3.40 x 0.60 in.)

# USB-1608G Series

## Ordering



### Order Information

#### Hardware

Part No.	Description
USB-1608G	16-channel, 250 kS/s sampling DAQ device with two 32-bit counter inputs, one timer output, and eight digital I/O lines. Includes a USB cable and MCC DAQ software.
USB-1608GX	16-channel, 500 kS/s sampling DAQ device with two 32-bit counter inputs, one timer output, and eight digital I/O lines. Includes a USB cable and MCC DAQ software.
USB-1608GX-2AO	16-channel, 500 kS/s sampling DAQ device with two analog outputs, two 32-bit counter inputs, one timer output, and eight digital I/O lines. Includes a USB cable and MCC DAQ software.
USB-1608G-OEM	Board-only DAQ device with 16-channels, 250 kS/s sampling, two 32-bit counter inputs, one timer output, and eight digital I/O lines.
USB-1608GX-OEM	Board-only DAQ device with 16-channels, 500 kS/s sampling, two 32-bit counter inputs, one timer output, and eight digital I/O lines.
USB-1608GX-2AO-OEM	Board-only DAQ device with 16-channels, 500 kS/s sampling, two analog outputs, two 32-bit counter inputs, one timer output, and eight digital I/O lines.

#### Software also Available from MCC

TracerDAQ Pro	Out-of-the-box virtual instrument suite with strip chart, oscilloscope, function generator, and rate generator – professional version
DASYLab	Icon-based data acquisition, graphics, control, and analysis software