

Dream Maker Overlord 3D printer Mainboard

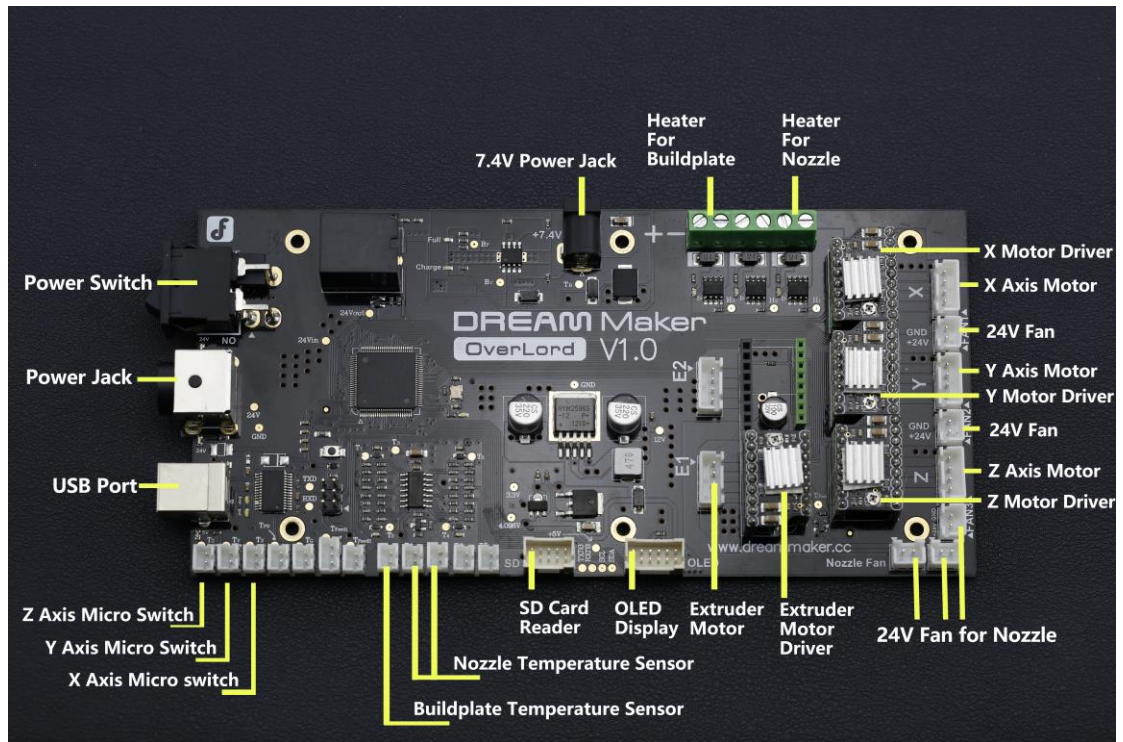
User Manual V1.0

Version: V1.0

Copy Right: DFRobot

Date: 2016/3/28

Network: <http://www.dfrobot.com>



Name	Pin	Function	
Tz	D32	Z axis micro switch	
Ty	D28	Y axis micro switch	
Tx	D24	X axis micro switch	
T1	P13	Nozzle temperature sensor	
T2	P12	Nozzle temperature sensor	
T3	P14	Buildplate temperature sensor	
SD		SD card reader	
OLED		OLED display	
X	D27	Enable	X axis motor
	D25	Step	
	D23	DIR	
Y	D29	Enable	Y axis motor
	D31	Step	

	D33	DIR	
Z	D35	Enable	Z axis motor
	D37	Step	
	D39	DIR	
E1	D41	Enable	Extruder motor
	D43	Step	
	D45	DIR	
Heater1	D2	Heater for Nozzle	
Heat bed	D4	Heater for buildplate	
+7.4V		7.4V Battery	