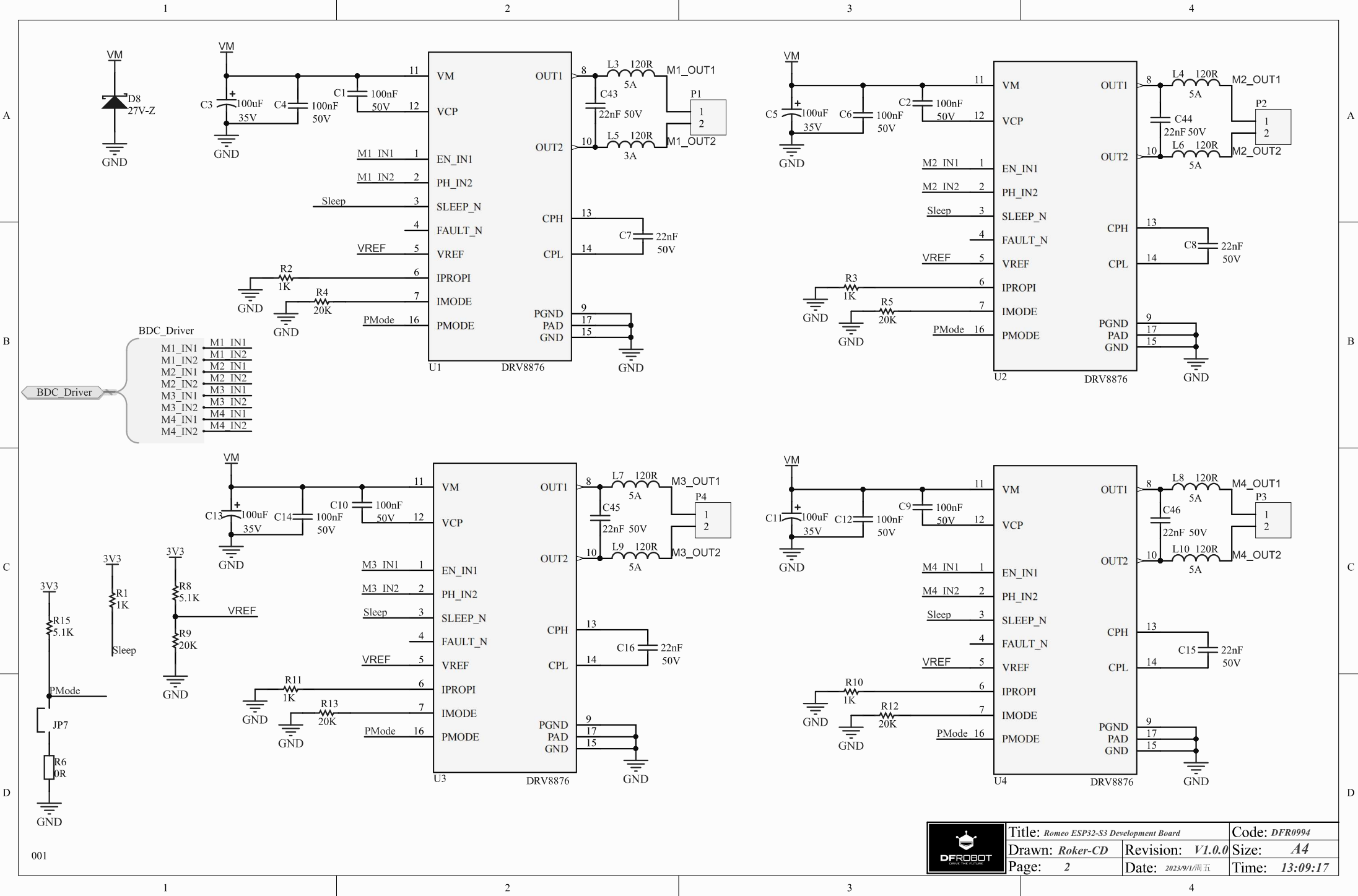


Title: <i>Romeo ESP32-S3 Development Board</i>		Code: <i>DFR0994</i>	
Drawn: <i>Roker-CD</i>		Revision: <i>V1.0.0</i>	
Page: <i>1</i>		Date: <i>2023/9/1/周五</i>	
		Size: <i>A4</i>	
		Time: <i>13:09:16</i>	



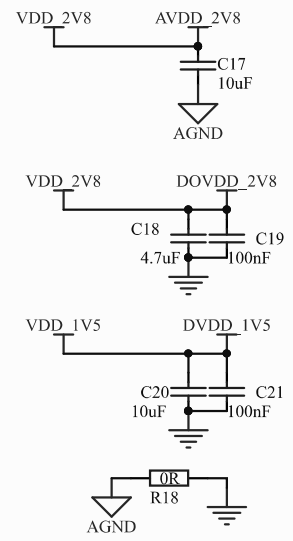
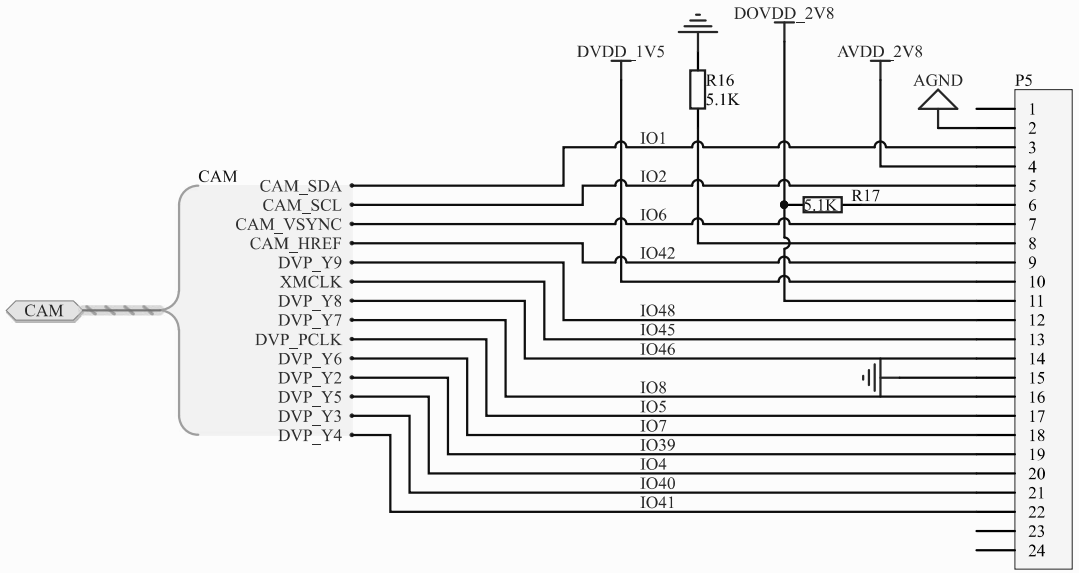
- BDC_Driver
- M1_IN1
 - M1_IN2
 - M2_IN1
 - M2_IN2
 - M3_IN1
 - M3_IN2
 - M4_IN1
 - M4_IN2

BDC_Driver

001



Title: <i>Romeo ESP32-S3 Development Board</i>		Code: <i>DFR0994</i>	
Drawn: <i>Roker-CD</i>		Revision: <i>V1.0.0</i>	
Page: <i>2</i>		Date: <i>2023/9/11 周五</i>	
		Size: <i>A4</i>	
		Time: <i>13:09:17</i>	

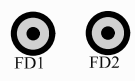
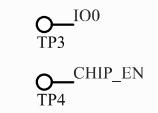
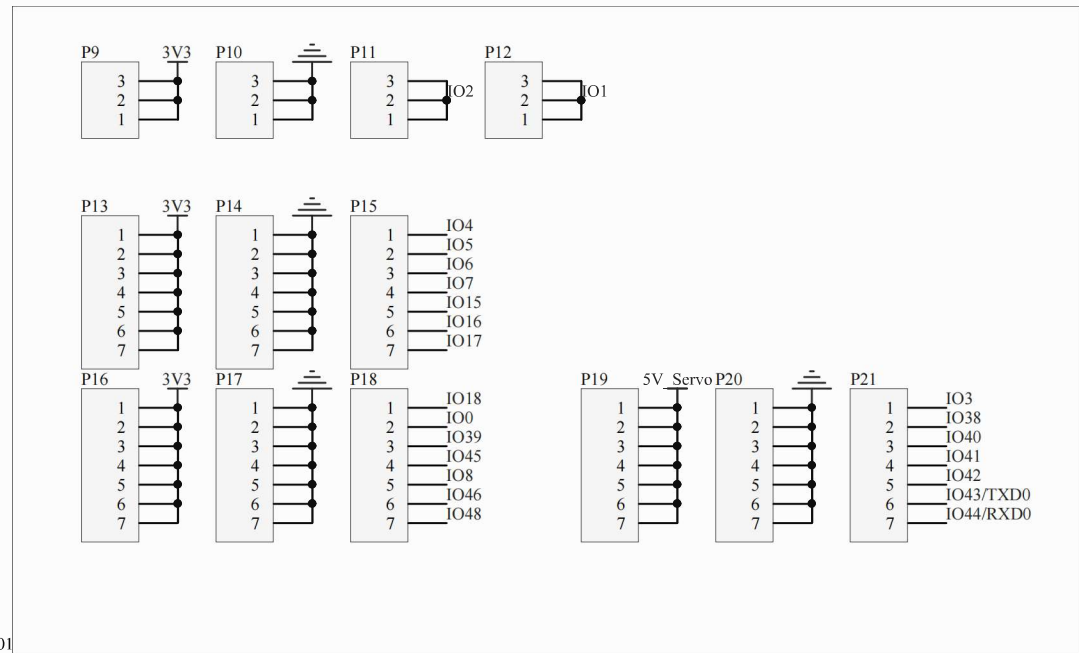
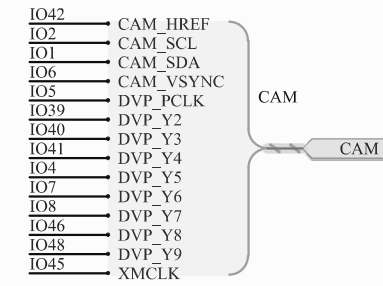
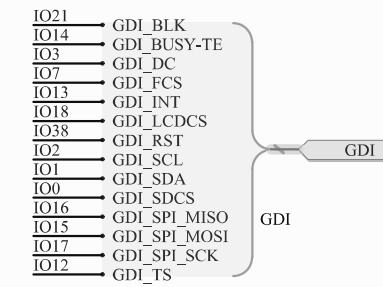
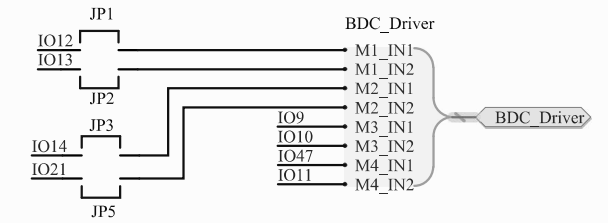
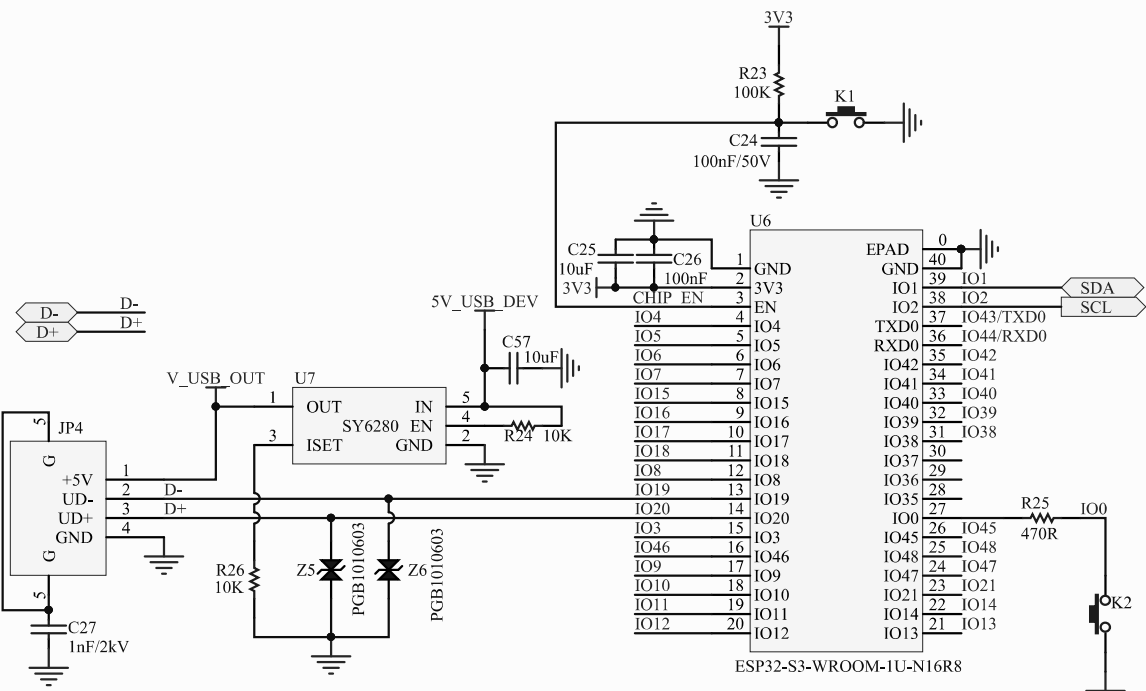


MH1



MH2





Title: Add your title here		Code: DFR0994	
Drawn: Roker-CD	Revision: V1.0.0	Size: A4	
Page: 4	Date: 2023/9/1周五	Time: 13:09:17	

1

2

3

4

A

A

B

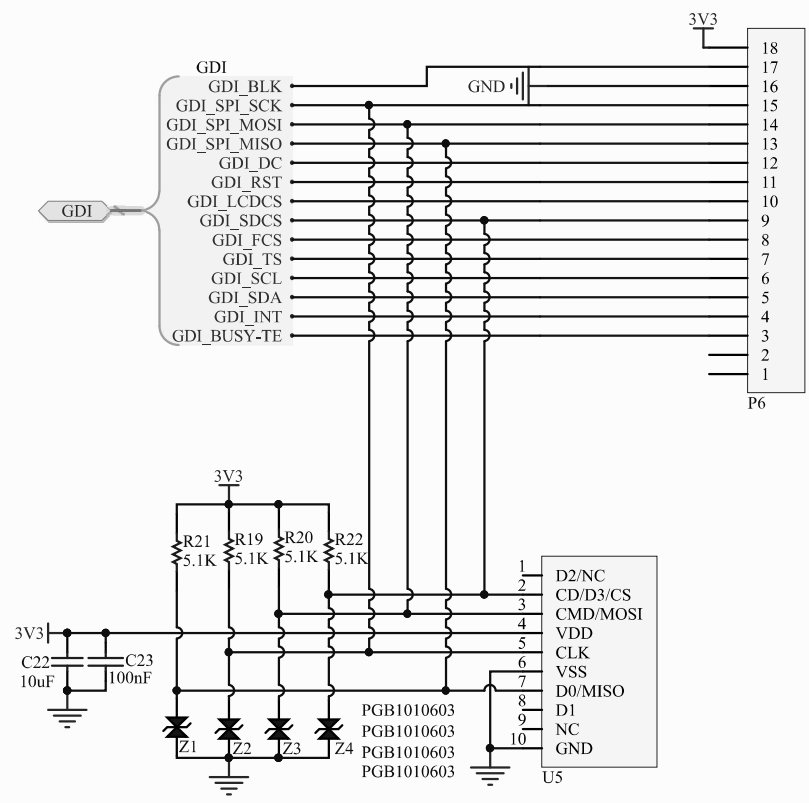
B

C

C

D

D



001

1

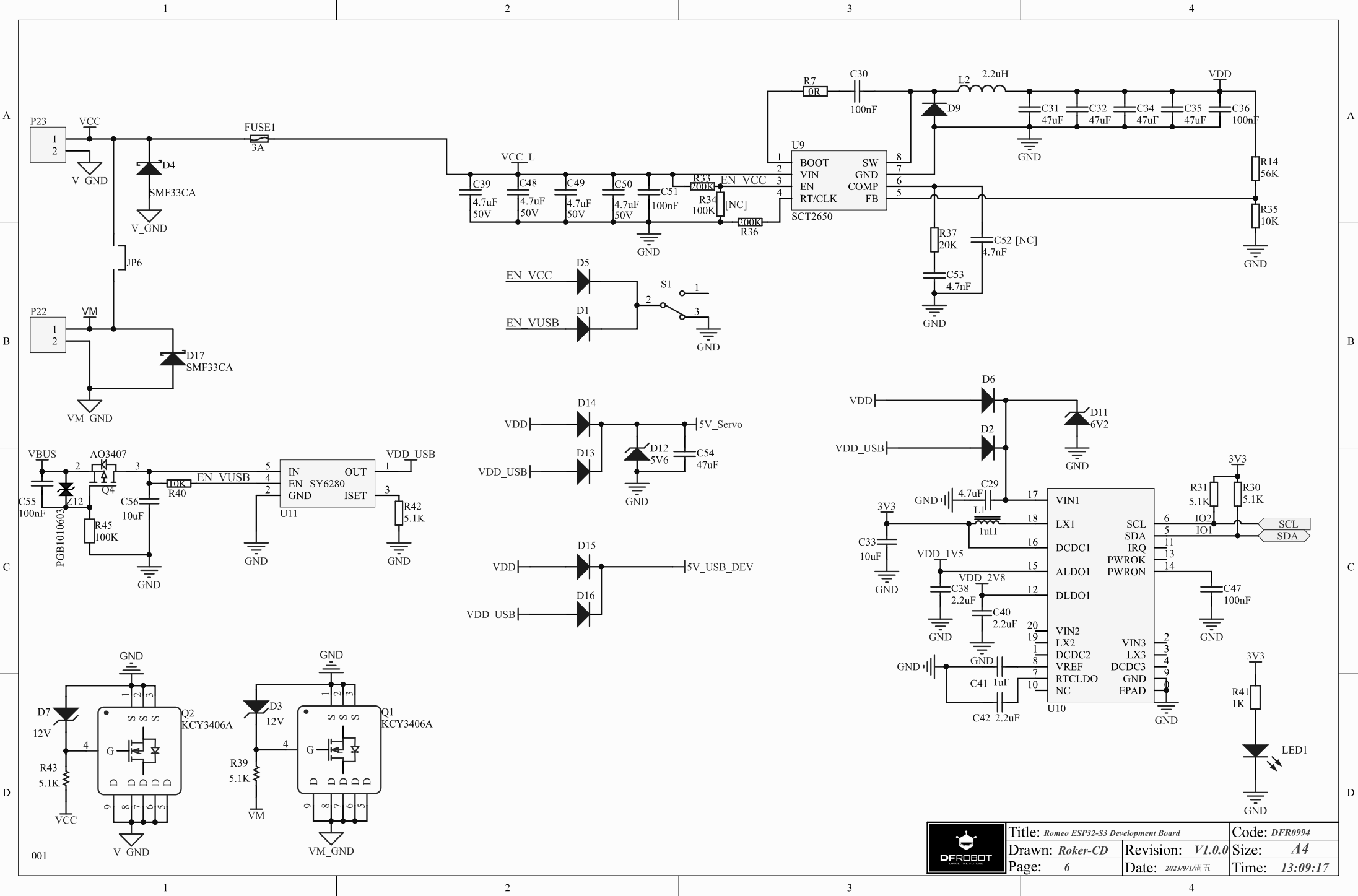
2

3

4



Title: <i>Romeo ESP32-S3 Development Board</i>		Code: <i>DFR0994</i>	
Drawn: <i>Roker-CD</i>	Revision: <i>V1.0.0</i>	Size: <i>A4</i>	
Page: <i>5</i>	Date: <i>2023/9/1/周五</i>	Time: <i>13:09:17</i>	



Title: <i>Romeo ESP32-S3 Development Board</i>		Code: <i>DFR0994</i>	
Drawn: <i>Roker-CD</i>		Revision: <i>V1.0.0</i>	
Page: <i>6</i>		Date: <i>2023/9/1</i> 周五	
		Size: <i>A4</i>	
		Time: <i>13:09:17</i>	