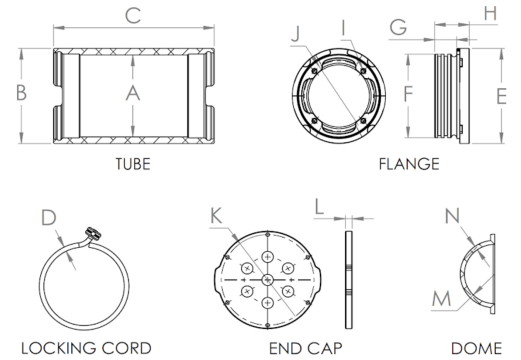
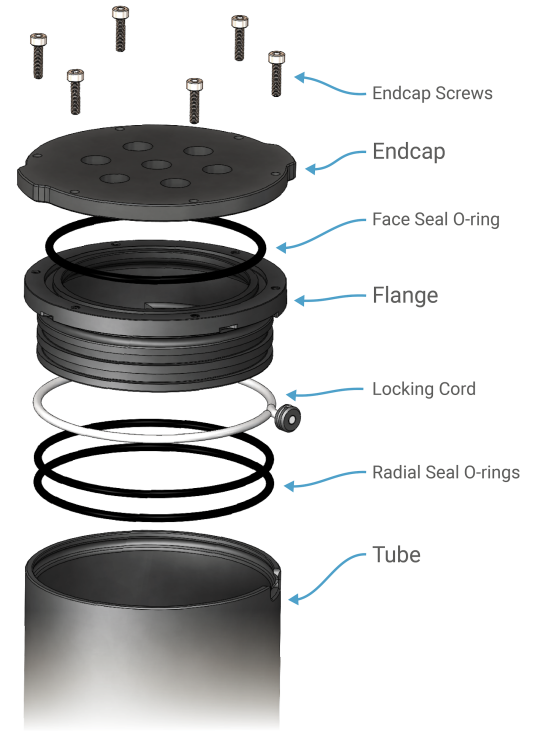


Tubes

Series Diameter [mm]	Tube Material / Finish	(A) Tube ID [mm]	(B) Tube OD [mm]	(C) Overall Length <sup>1</sup> [mm]	Weight [g]	Depth Rating <sup>2</sup> [m]	Item Number
 50 (2")	6061-T6 Aluminum, Type II Anodized	Ø50.0 ± 0.5	Ø58.0 ± 0.2	100	169	1000	BR-100534-100
				150	261		BR-100534-150
				300	536		BR-100534-300
	Cast Acrylic	Ø49.5 ± 1.5	Ø58.0 ± 1.0	100	75	225	BR-100230-101
				150	115	130	BR-100230-151
				300	238	100	BR-100230-301
 75 (3")	6061-T6 Aluminum, Type II Anodized	Ø80.14 ± 0.20	Ø86.5 ± 0.3	150	328	1000	BR-100611-150
				240	530	1000	BR-100611-240
				300	665	900	BR-100611-300
				400	890	750	BR-100611-400
	Cast Acrylic	Ø76.2 ± 2.0	Ø88.9 ± 0.7	150	264	275	BR-101066
				240	442	150	BR-100352
 100 (4")	6061-T6 Aluminum, Type II Anodized	Ø104.16 ± 0.20	Ø112.0 ± 0.3	200	707	1000	BR-100195-200
				300	1066	1000	BR-100195-300
				400	1426	800	BR-100195-400
	Cast Acrylic	Ø101.6 ± 2.1	Ø114.3 ± 0.8	200	488	140	BR-101052-200
				300	746	100	BR-101052-300
				400	1004	60	BR-101052-400
 130 (5")	6061-T6 Aluminum, Type II Anodized	Ø130 ± 0.5	Ø138.7 ± 0.3	300	1450	1000	BR-101409-300
				500	2441	500	BR-101409-500
 150 (6")	6061-T6 Aluminum, Type II Anodized	Ø150 ± 0.5	Ø163.9 ± 0.3	300	2510	1000	BR-101411-300
				500	4360	1000	BR-101411-500
 200 (8")	6061-T6 Aluminum, Type II Anodized	Ø200 ± 0.5	Ø214.2 ± 0.3	300	3420	1000	BR-101412-300
				500	5915	1000	BR-101412-500

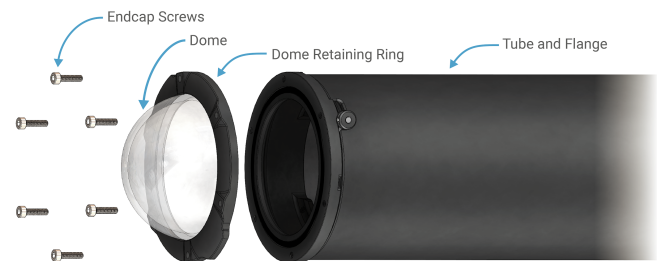


Flanges

Series Diameter [mm]	Face Seal O-ring	Radial Seal O-ring	Material / Finish	(D) Locking Cord Diameter [mm]	(E) Flange OD [mm]	(F) Piston Diameter [mm]	(G) Piston Length [mm]	(H) Overall Length [mm]	(I) Inner Mounting Holes	(J) Inner Mounting Hole Circle	Weight [g]	Item Number				
 50 (2")	-030 Buna-N 70A	-030 Buna-N 70A	6061-T6 Aluminum, Type II Anodized	2.8 ± 0.2	Ø58.0 ± 0.1	Ø50.95 ± 0.05	15.5 ± 0.1	21.5 ± 0.1	4x M3x0.5	Ø43.0 ± 0.1	41	BR-100628-998				
													75 (3")	-148 Buna-N 70A	-150 Buna-N 70A	Ø88.9 ± 0.1
100 (4")	-154 Buna-N 70A	-154 Buna-N 70A														
								130 (5")					-157 Buna-N 70A	-248 Buna-N 70A	Ø137.7 ± 0.1	Ø130.45 ± 0.05
150 (6")	-162 Buna-N 70A	-255 Buna-N 70A														
								200 (8")					-170 Buna-N 70A	-265 Buna-N 70A	Ø215.7 ± 0.1	Ø205.95 ± 0.05

Series Diameter [mm]		Material	Hole Configuration	Endcap Screws (SS316 Socket Head Cap Screws)	(K) Endcap Screw Hole Circle	(L) Thickness [mm]	Weight [g]	Depth Rating <sup>2</sup> [m]	Item Number	
End Caps	<b>50</b> (2") 	Cast Acrylic	Blank (No holes)	6x M2x0.4-10	Ø50.8 ± 0.1	6.4 ± 0.1	17	600	BR-100094	
		6061-T6 Aluminum, Type II Anodized	Blank (No holes)	<b>Note: Flange integral to endcap, does not require separate flange</b>				63	1000	BR-100276-999
			2x M10 Hole					59		BR-100276-002
			4x M10x1.5 Threaded					58		BR-100276-004
	<b>75</b> (3") 	Cast Acrylic	Blank (No holes)	6x M3x0.5-12	Ø82.6 ± 0.1		9 ± 0.1	58	400	BR-100630
		6061-T6 Aluminum, Type II Anodized	Blank (No holes)				102	1000	BR-100949-999	
			4x M10 Hole				97		BR-100949-004	
			7x M10 Hole				93		BR-100949-007	
	<b>100</b> (4") 	Cast Acrylic	Blank (No holes)	6x M3x0.5-12	Ø108.0 ± 0.1		12.7 ± 0.1	135	500	BR-100061
		6061-T6 Aluminum, Type II Anodized	Blank (No holes)				234	1000	BR-100184	
			5x M10 Hole				223		BR-100875	
			10x M10 Hole				212		BR-100170	
			7x M10 Hole				196		BR-101113	
			11x M10x1.5 Threaded				196		BR-101113	
			4x M14 Hole				215		BR-100138	
			1x M10 Hole				195		BR-100066	
8x M14 Hole			186				BR-100151			
2x M10 Hole			186				BR-100151			
8x M14x1.5 Threaded	186	BR-100151								
5x M10 Hole	186	BR-100151								
2x M10x1.5 Threaded	186	BR-100151								
<b>130</b> (5") 	7075-T6 Aluminum, Type II Anodized	Blank (No holes)	10x M3x0.5-12	Ø133.0 ± 0.1		10 ± 0.1	427	1000	BR-102203-001	
	5x M14 Hole	393				BR-102203-002				
	10x M14 Hole	367				BR-102203-003				
	7x M10 Hole	369				BR-102203-004				
<b>150</b> (6") 	Cast Acrylic	Blank (No holes)	10x M3x0.5-16	Ø158.7 ± 0.1		12.7 ± 0.1	331	65	BR-100273-004	
	6061-T6 Aluminum, Type II Anodized	Blank (No holes)				359	65	BR-100273-003		
		5x M10 Hole				353		BR-100273-002		
		15x M10 Hole				339		BR-100273-001		
	7075-T6 Aluminum, Type II Anodized	Blank (No holes)				687	1000	BR-102205-001		
		5x M10 Hole				647	1000	BR-102205-002		
5x M14 Hole		566	1000	BR-102205-003						
<b>200</b> (8") 	Cast Acrylic	Blank (No holes)	12x M3x0.5-16	Ø209.1 ± 0.1		12.7 ± 0.1	564	40	BR-101065-003	
	6061-T6 Aluminum, Type II Anodized	Blank (No holes)				599	40	BR-101065-002		
		5x M10 Hole				592		BR-101065-001		
	7075-T6 Aluminum, Type II Anodized	Blank (No holes)				1458	1000	BR-102206-001		
		5x M10 Hole				1370		BR-102206-002		
		5x M14 Hole				1283		BR-102206-003		
		10x M10 Hole				1283		BR-102206-003		
		10x M14 Hole				1191		BR-102206-004		

Series Diameter [mm]	Material	(M) Dome Internal Radius [mm]	(N) Dome Wall Thickness [mm]	Weight [g]	Depth Rating [m]	Item Number
50 (2")	Acrylic Dome, Polycarbonate Retaining Ring	18.0 ± 0.1	2.50 ± 0.10	15	950	BR-100859
75 (3")		31.25 ± 0.10	3.1 ± 0.1	39	750	BR-101059
100 (4")		43.5 ± 0.1	3.75 ± 0.10	81	500	BR-100495
130 (5")	Hardened Polycarbonate Dome, Polycarbonate Retaining Ring	53.5 ± 0.05	7.00 ± 0.05	195	600	BR-102597



<sup>1</sup> Overall tube length tolerance ± 0.5 mm

<sup>2</sup> The depth ratings for cast acrylic components are applicable only for short-term submersions of less than two weeks. For longer submersion, use aluminum components only.