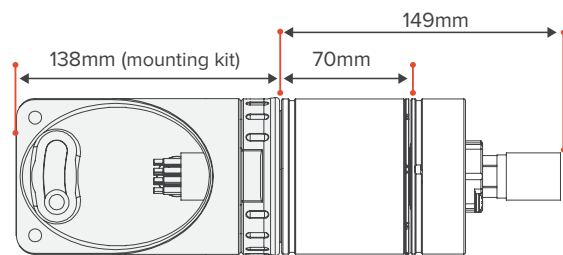
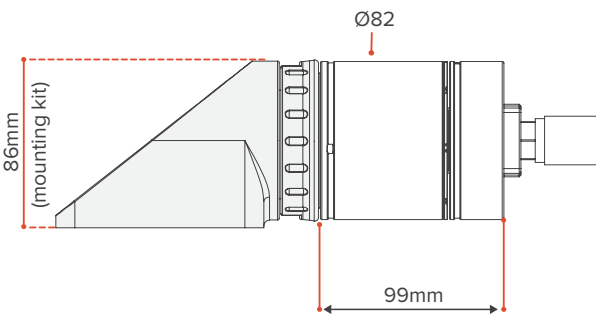
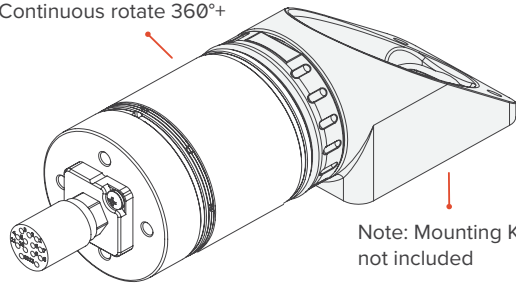


# INLINE ROTATE

A high-torque, rotate actuator for inspection-class vehicles

Expand the capability of your Reach Bravo Manipulator

Continuous rotate 360°+



## LIGHT AND POWERFUL

The Reach Bravo Inline Rotate is a 360° continuous rotate actuator, offering high precision programmable set-points and optional ethernet, serial, and PWR pass through. Compact and versatile; perfect for payload pointing or winch activities.

### SPECIFICATIONS

Joint Torque	20Nm
Rotate Speed	45°/s nominal
Rotate Precision	0.1°
Outer Diameter	82mm
Connectors	13 Pin Ethernet Subcon Input - DBH13M Output - DBH13F
Control Modes	Position, Velocity

### ELECTRICAL

Voltage	24-48V
Wattage	40W max
COMS	Ethernet/RS232/RS485

### ENVIRONMENTAL

Depth	450MSW
Temp	-10°C to 35°C
Material	AL6061

### MECHANICAL

Weight (Air)	1Kg
Weight (Water)	0.6kg

A Revolution for Subsea Inspection & Intervention



Responsive  
Integration Support



Responsive  
Remote Support



12 Month  
Warranty

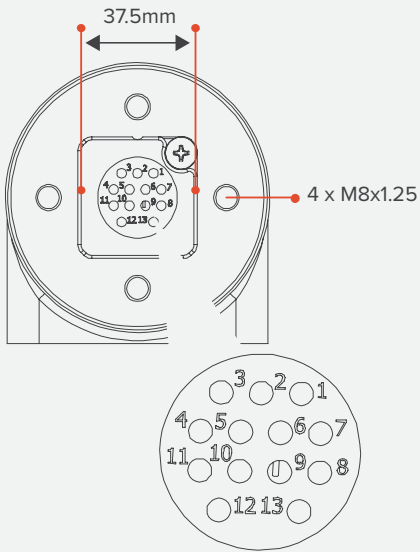


Ext. Warranty, Spares  
Packages & Service Plans  
Available



1000+ Hours  
Logged

### Connector Specifications



### Coms + PWR Connector (8A MAX)

DIL13F DBH13M

Pin	Description	Twisted Pair?	Colour
Pin 1	GND	N	Black
Pin 2	NC	N	Screen (orange wire on Bulkhead)
Pin 3	VM	N	White
Pin 4	RS485 A	Y (4, 5)	Brown
Pin 5	RS485 B	Y (4, 5)	Brown/White
Pin 6	RS232 TX (data to vehicle)	Y (6, 7)	Blue
Pin 7	RS232 RX (data from vehicle)	Y (6, 7)	Blue/White
Pin 8	ETH RX-	Y (8, 9)	Orange
Pin 9	ETH RX+	Y (8, 9)	Orange/White
Pin 10	ETH TX-	Y (10, 11)	Green
Pin 11	ETH TX+	Y (10, 11)	Green/White
Pin 12	VM	N	Red
Pin 13	GND	N	Green

### Integration Made Easy

Integrate Reach Bravo manipulators quickly with our mounting kit. A screw collar system lets you mount and unmount in seconds.



### Compatible with the **Reach Bravo Hub**

- Simple integration of additional payloads such as Pan/Tilts & Rotary actuators
- Single data and power connection point

