

ALPHA 3

The worlds' smallest, lightest, three-function subsea manipulator

The Alpha 3 is a tough and reliable multi-function electric manipulator for harsh environments.

- **TOUGH**
300m Depth Rating
Field Proven
- **USABLE**
Intuitive Interface
Master Arm Controlled
- **ADVANCED**
0.1° Joint Accuracy
Kinematics and Self-Protection



ROV Proven

FEATURES

- Fits on very light ROVs
- Quick to integrate
- End-effector interchangeable
- Embedded controllers - no additional POD
- Adjustable grab force - pick up a sea urchin or cut a cable
- Self-protection against collision
- One-click home position
- Corrosion and scratch resistant anodized aluminium
- Highly Modular and Configurable - 3, 4 or 5 function versions available

All Electric



BE CONFIDENT

With high accuracy joint positioning (0.1°) and a master/slave topside controller, the Alpha 3 is the most advanced manipulator for the portable ROV community. A must for operators in the new era of close inspection work and complex intervention.

Master Arm

Controller Enabled

Note: Master Arm not included



Mission Specific End-Effectors | Interchange With Ease



RA-1018



RA-1011



RA-1070



RA-1014



RA-1012



RA-1017



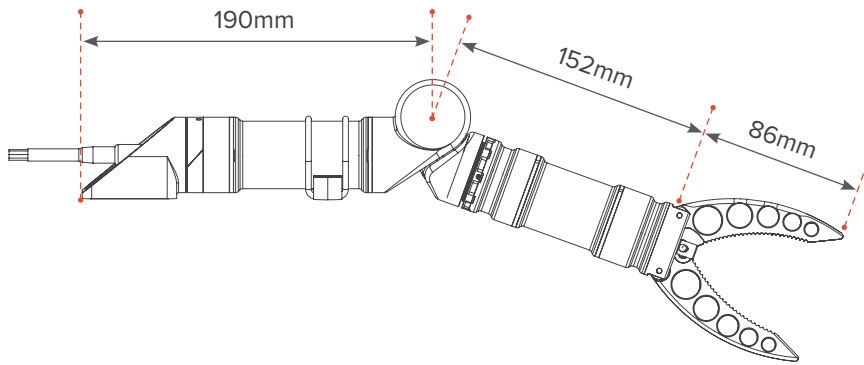
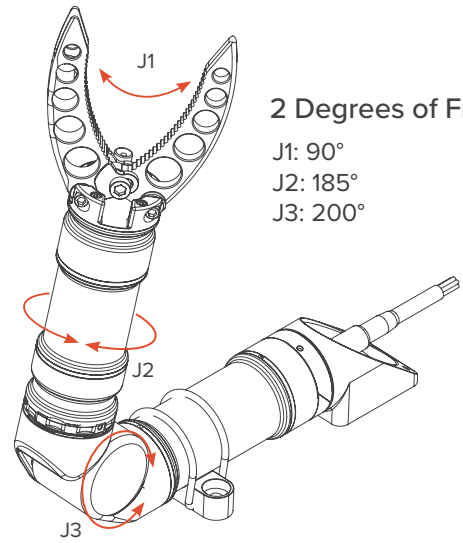
RA-1037



RA-1048

SPECIFICATIONS

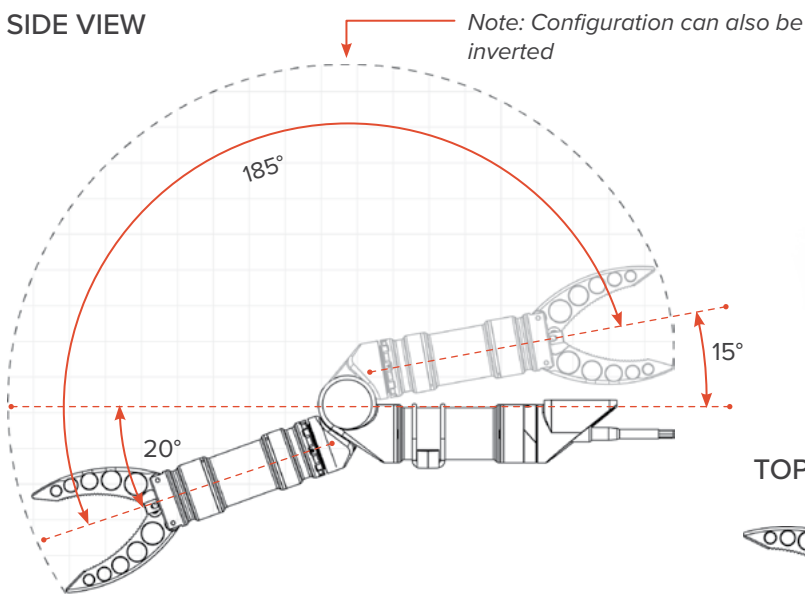
Max Closing Force	600N (60kg)
Push-rod axial load rating	1KN (100kg)
Reach	250mm
Outer Diameter	40mm
Standard Connector	Teledyne 6 Pin IE(W)-55 Impulse Connector (whip included)
Operator Control Options	3D Space Mouse, Gamepad, Software GUI, Master Controller
End-Effector Options	Quad Jaws, Pincer, Parallel Jaws, Rope Cutter



- ELECTRICAL**
 Voltage 14-30V
 Wattage 35W Max
 COMS RS232/485
- ENVIRONMENTAL**
 Depth 300MSW
 Temp -35°C to 50°C
 Material AL6061
- MECHANICAL**
 Lift Capacity 2500g
 Weight (Air) 900g
 Weight (Water) 650g

HIGH MOBILITY & COMPACT

SIDE VIEW



TOP VIEW

