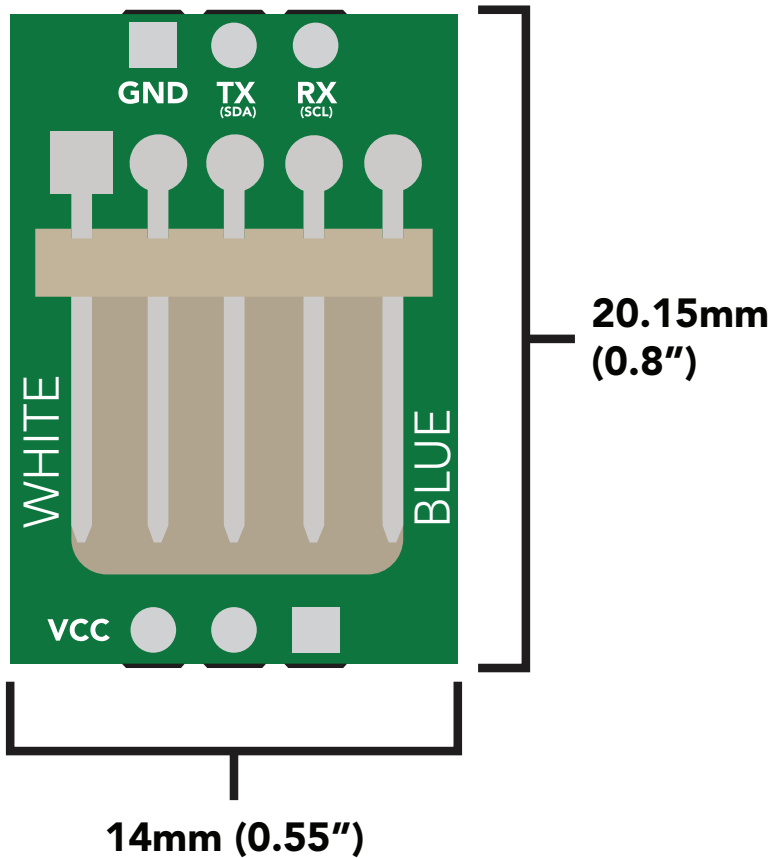


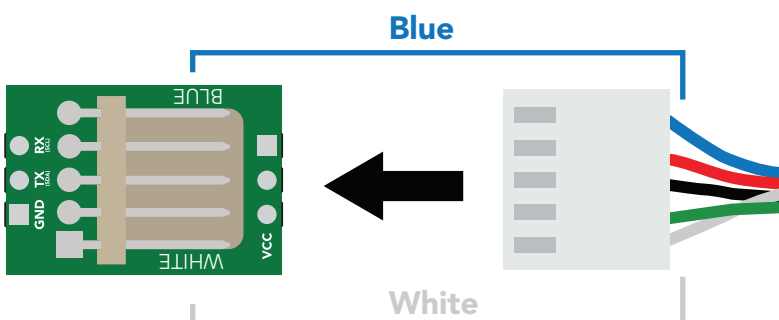
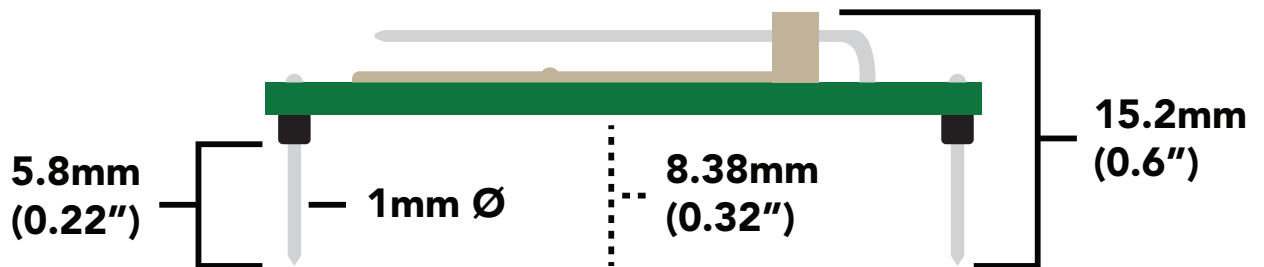
EZO™ Adapter

The EZO™ Adapter, allows you to connect an Atlas Scientific EZO™ Sensor to an Atlas Scientific carrier board as if it's an EZO™ Circuit, via the sensors 5 lead data cable.



The EZO™ Adapter works with the following EZO™ devices

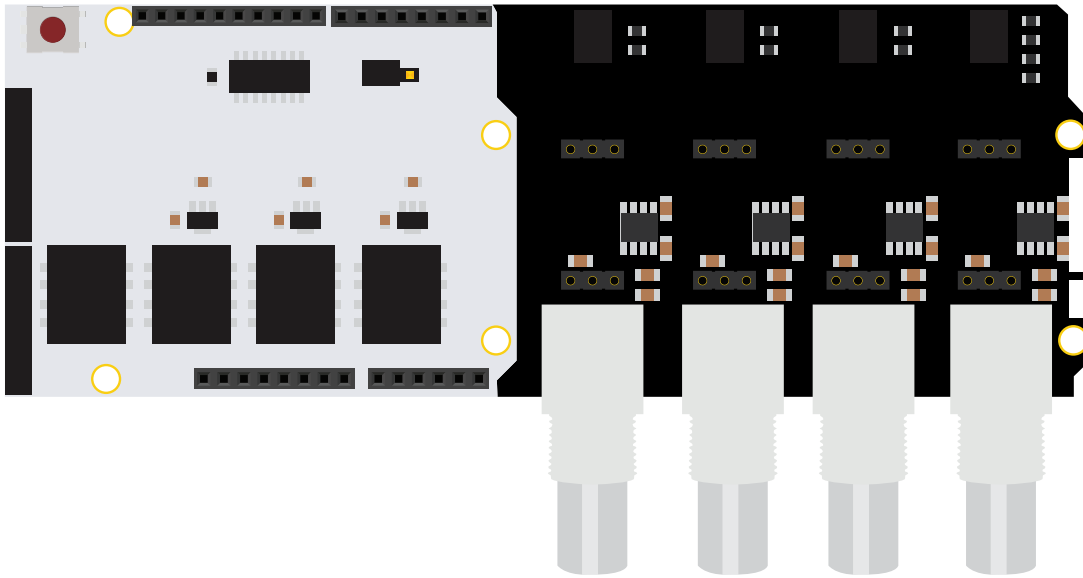
- EZO-O2 (O2 Sensor)
- EZO-CO2 (CO2 Sensor)
- EZO-RGB (Color Sensor)
- EZO-PRS (Pressure Sensor)
- EZO-PMP (Peristaltic Pump)
- EZO-HUM (Humidity Sensor)



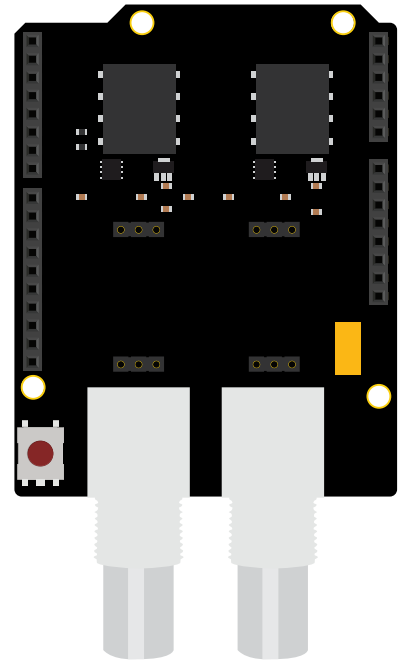
Make sure to connect the data cable correctly.

The EZO™ Adapter is compatible with the following carrier boards

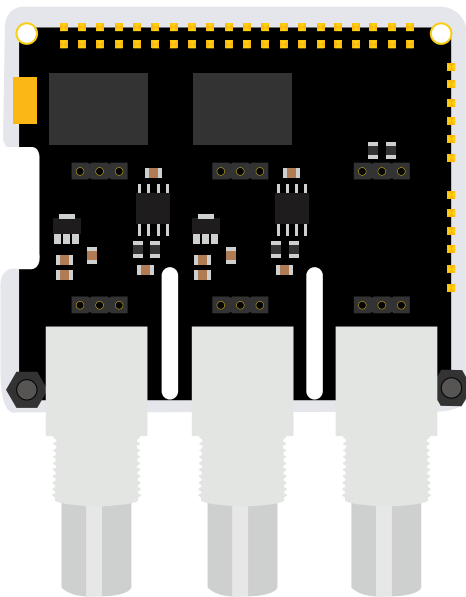
Tentacle Shield
#TEN-SH



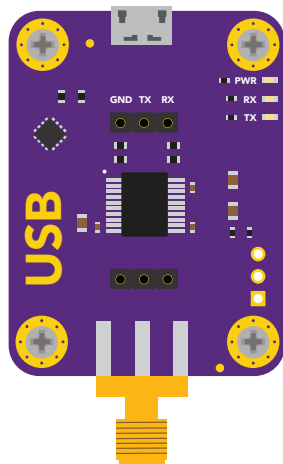
Tentacle Shield Mini
#TEN-SHM



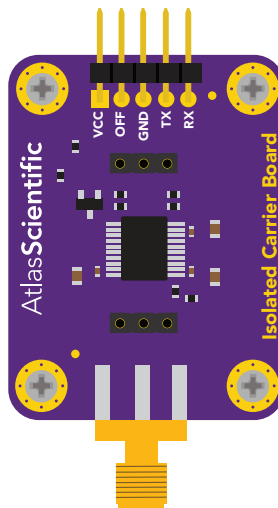
Tentacle T3
#TEN-T3



Gen 2 Electrically Isolated USB EZO™ Carrier Board
#G2-USB-ISO



Electrically Isolated EZO™ Carrier Board
#ISCCB-2



EZO™ Carrier Board
non-isolated
#SCCB

Electrically Isolated EZO™ Carrier Board
#L-ISCCB

