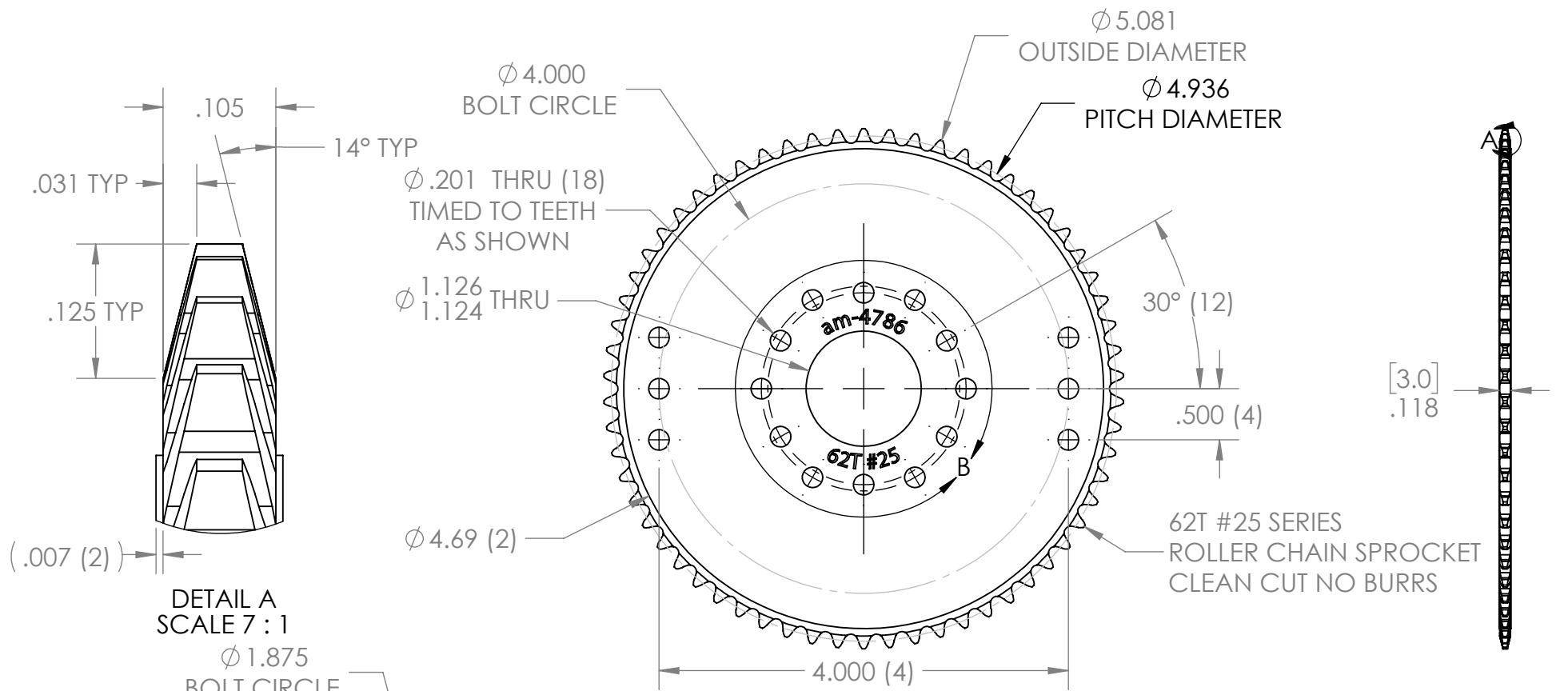


REVISION HISTORY			
REV.	DESCRIPTION	DATE	DRAWN BY
1	ORIGINAL PRINT	7/8/2022	T. JORGENSEN



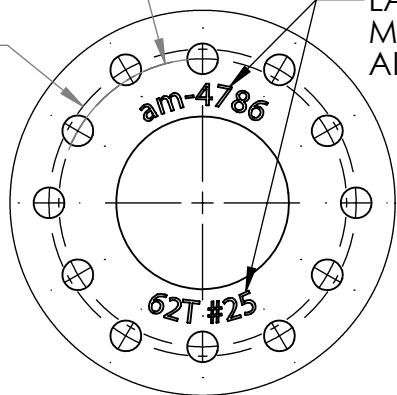
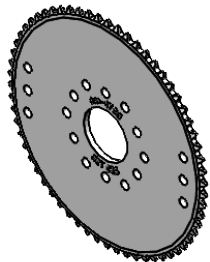
DETAIL A
SCALE 7 : 1

ϕ 1.875
BOLT CIRCLE

ϕ 2.000
BOLT CIRCLE

LASER ENGRAVED
MYRIAD PRO SIZE 14 FONT
ALIGNED AS SHOWN

*** SEE CAD FOR ADDITIONAL TOOLPATH INFO***



DETAIL B
SCALE 1 : 1.25

UNLESS OTHERWISE SPECIFIED:		COMMENTS:	
DIMENSIONS ARE IN INCHES		DUAL DIMENSIONS ARE IN MILLIMETERS.	
TOLERANCES:		BREAK ALL SHARP EDGES.	
FRACTIONAL	$\pm 1/16$	CHECKED	NAME
ANGULAR: MACH	$\pm 1^\circ$	ENG APPR.	DATE
ANGULAR: BEND	$\pm 5^\circ$	MFG APPR.	
ONE PLACE DECIMAL	± 0.1	Q.A.	
TWO PLACE DECIMAL	± 0.01		
THREE PLACE DECIMAL	± 0.005		
FOUR PLACE DECIMAL	± 0.0005		
MATERIAL	7075-T6 AL		
FINISH	DEBURRED SILVER ANODIZED		
DO NOT SCALE DRAWING			



TITLE: 62T 25 CHAIN
1 1/2 IN BORE
PLATE SPROCKET

SIZE	DWG. NO.	REV
A	am-4786	1
SCALE: 1:1.5		SHEET 1 OF 1