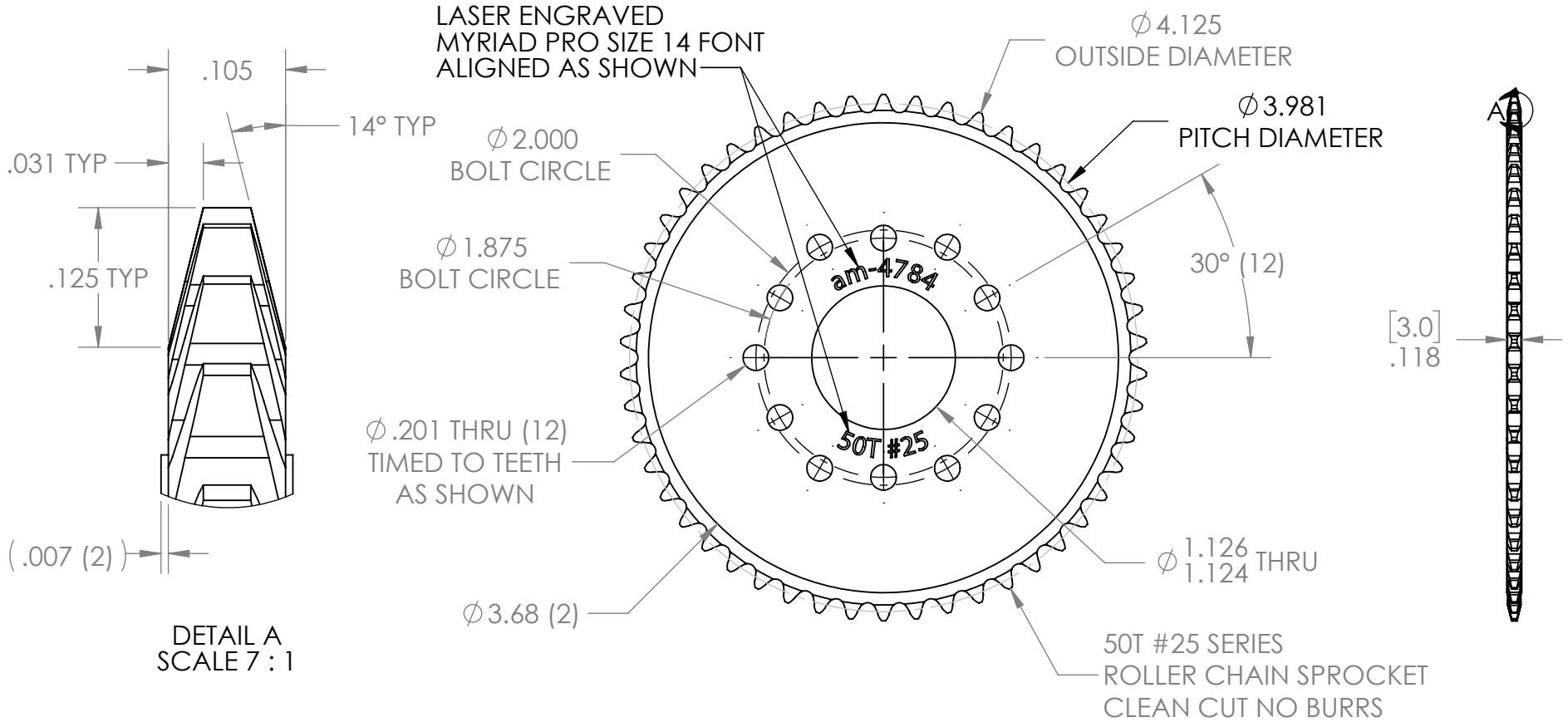



REVISION HISTORY			
REV.	DESCRIPTION	DATE	DRAWN BY
1	ORIGINAL PRINT	7/8/2022	T. JORGENSEN



*** SEE CAD FOR ADDITIONAL TOOLPATH INFO***

UNLESS OTHERWISE SPECIFIED:		COMMENTS:					
DIMENSIONS ARE IN INCHES		DUAL DIMENSIONS ARE IN MILLIMETERS.					
TOLERANCES:		BREAK ALL SHARP EDGES.		TITLE: 50T 25 CHAIN 1 125IN BORE PLATE SPROCKET			
FRACTIONAL	±1/16			SIZE	DWG. NO.	REV	
ANGULAR: MACH	±1°			A	am-4784	1	
ANGULAR: BEND	±5°			SCALE: 2:2.5		SHEET 1 OF 1	
ONE PLACE DECIMAL	±0.1						
TWO PLACE DECIMAL	±0.01	MATERIAL 7075-T6 AL					
THREE PLACE DECIMAL	±0.005	FINISH DEBURRED SILVER ANODIZED					
FOUR PLACE DECIMAL	±0.0005	DO NOT SCALE DRAWING					
		CHECKED	NAME	DATE			
		ENG APPR.	NL	8/3/22			
		MFG APPR.					
		Q.A.					

