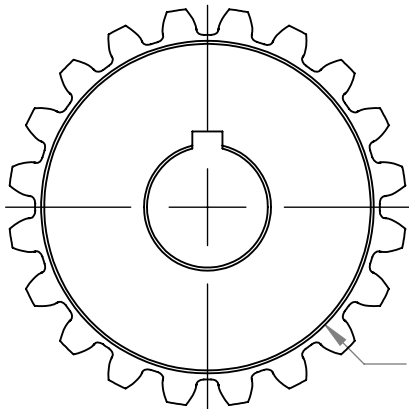
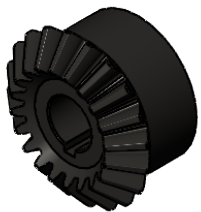
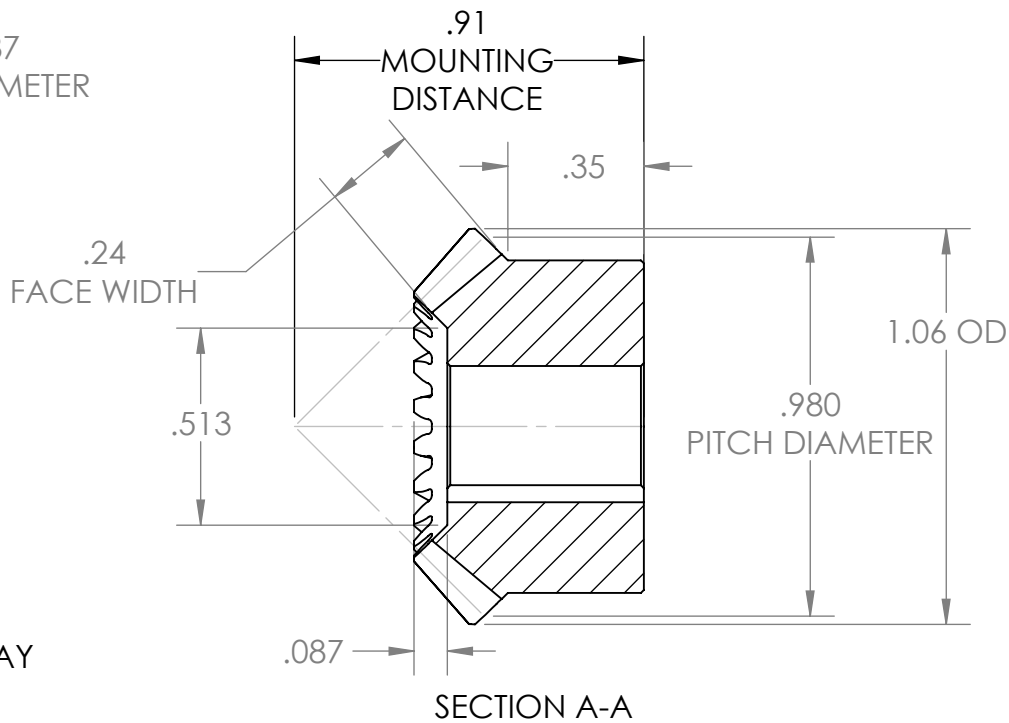
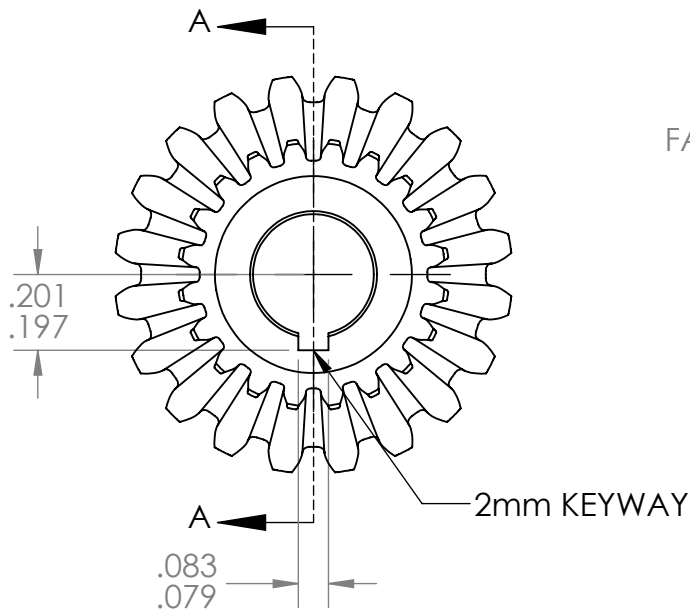



REVISION HISTORY			
REV.	DESCRIPTION	DATE	DRAWN BY
1	ORIGINAL PRINT	9/15/2017	KARL NEPOMUCENO



Ø .87  
HUB DIAMETER



UNLESS OTHERWISE SPECIFIED:		COMMENTS:				
<b>DIMENSIONS ARE IN INCHES</b>		DUAL DIMENSIONS ARE IN MILLIMETERS.				
TOLERANCES:		BREAK ALL SHARP EDGES.		TITLE:		
FRACTIONAL	±1/16	MODULE: 1.25		1.25 Mod - 20T MITER GEAR		
ANGULAR: MACH	±1°	NO. OF TEETH: 20		8mm BORE w/2 mm KEYWAY		
ANGULAR: BEND	±5°	PRESSURE ANGLE: 20°		SIZE		
ONE PLACE DECIMAL	±0.1	CHECKED	NAME	DATE	DWG. NO.	REV
TWO PLACE DECIMAL	±0.01	ENG APPR.			am-3776	1
THREE PLACE DECIMAL	±0.005	MFG APPR.			SCALE: 2:1	
FOUR PLACE DECIMAL	±0.0005	Q.A.			SHEET 1 OF 1	
MATERIAL	1045 STEEL					
FINISH	DEBURRED					
DO NOT SCALE DRAWING						