

4

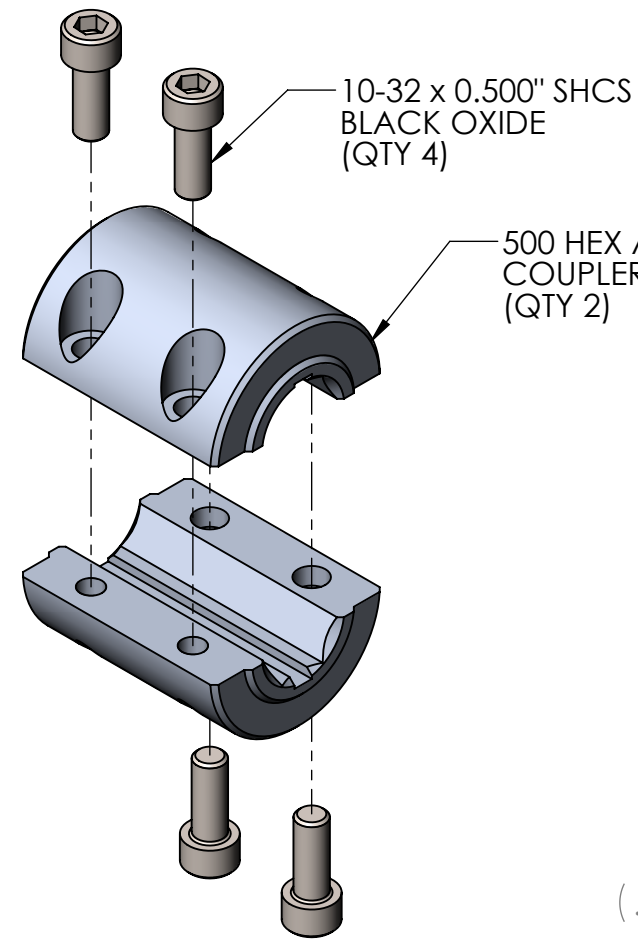
3

2

1

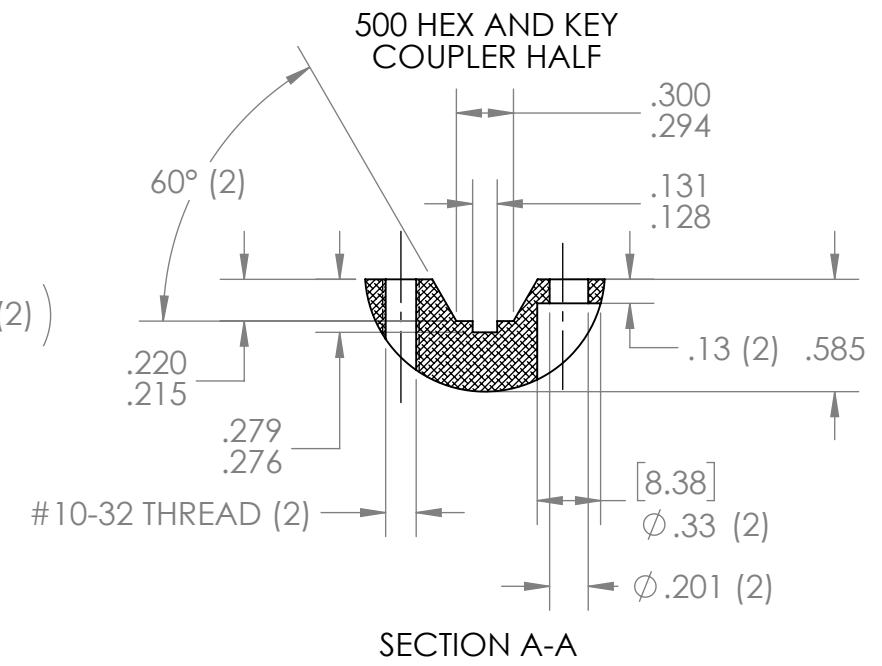
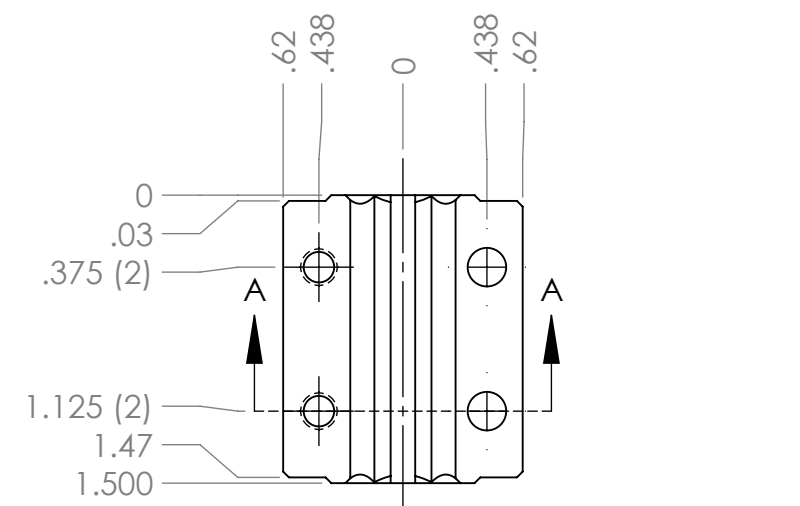
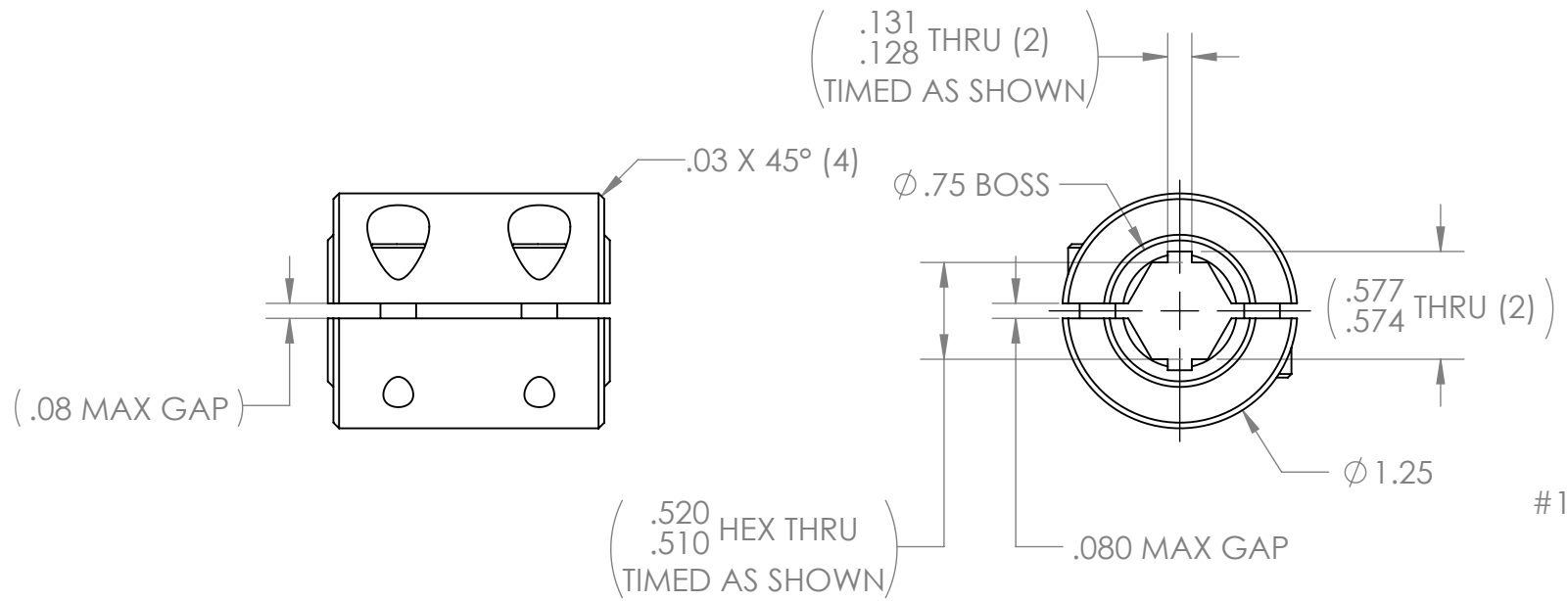
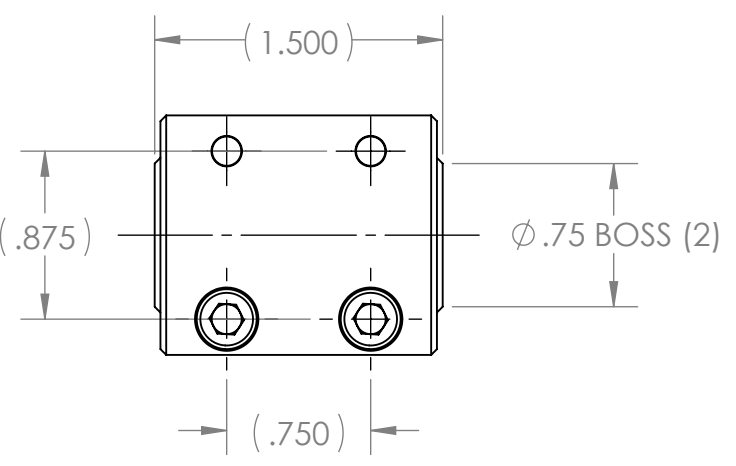
REVISION HISTORY			
REV.	DESCRIPTION	DATE	DRAWN BY
1	ORIGINAL PRINT	5/4/2020	N. LAWRENCE

B

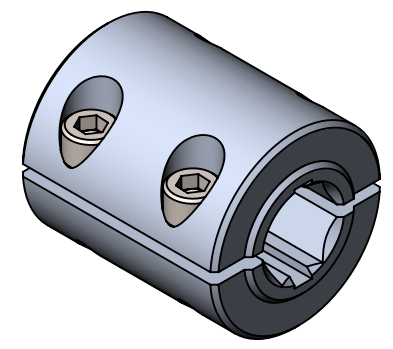


10-32 x 0.500" SHCS
BLACK OXIDE
(QTY 4)

500 HEX AND KEY
COUPLER HALF
(QTY 2)



A



*** SEE CAD FOR ADDITIONAL TOOLPATH INFO***

UNLESS OTHERWISE SPECIFIED:		COMMENTS:	
DIMENSIONS ARE IN INCHES		DUAL DIMENSIONS ARE IN MILLIMETERS.	
TOLERANCES:		BREAK ALL SHARP EDGES.	
FRACTIONAL	±1/16		
ANGULAR: MACH	±1°		
ANGULAR: BEND	±5°		
ONE PLACE DECIMAL	±0.1		
TWO PLACE DECIMAL	±0.01		
THREE PLACE DECIMAL	±0.005		
FOUR PLACE DECIMAL	±0.0005		
MATERIAL	6061-T6 AL BODY ALLOY STEEL SCREW	CHECKED	NAME NM DATE 5/4/2020
FINISH	DEBURRED	ENG APPR.	
		MFG APPR.	
		Q.A.	
DO NOT SCALE DRAWING		SIZE	DWG. NO. REV
		B	am-1560 1
		SCALE: 1:1	SHEET 1 OF 1



TITLE:
**500HEX 500KEY HD
SHAFT COUPLER**

4

3

2

1

B

A