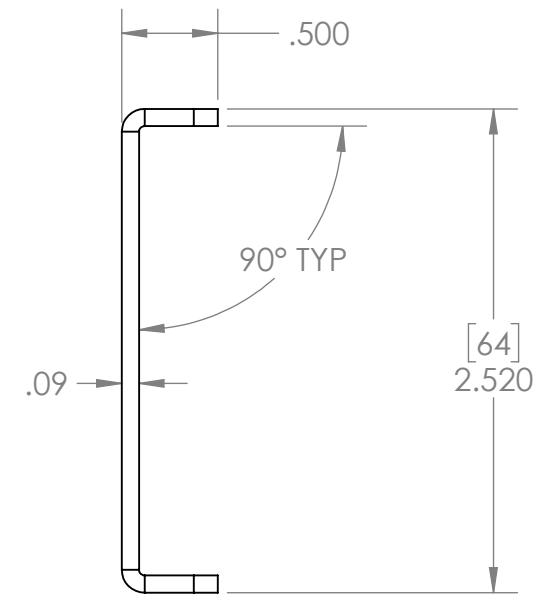
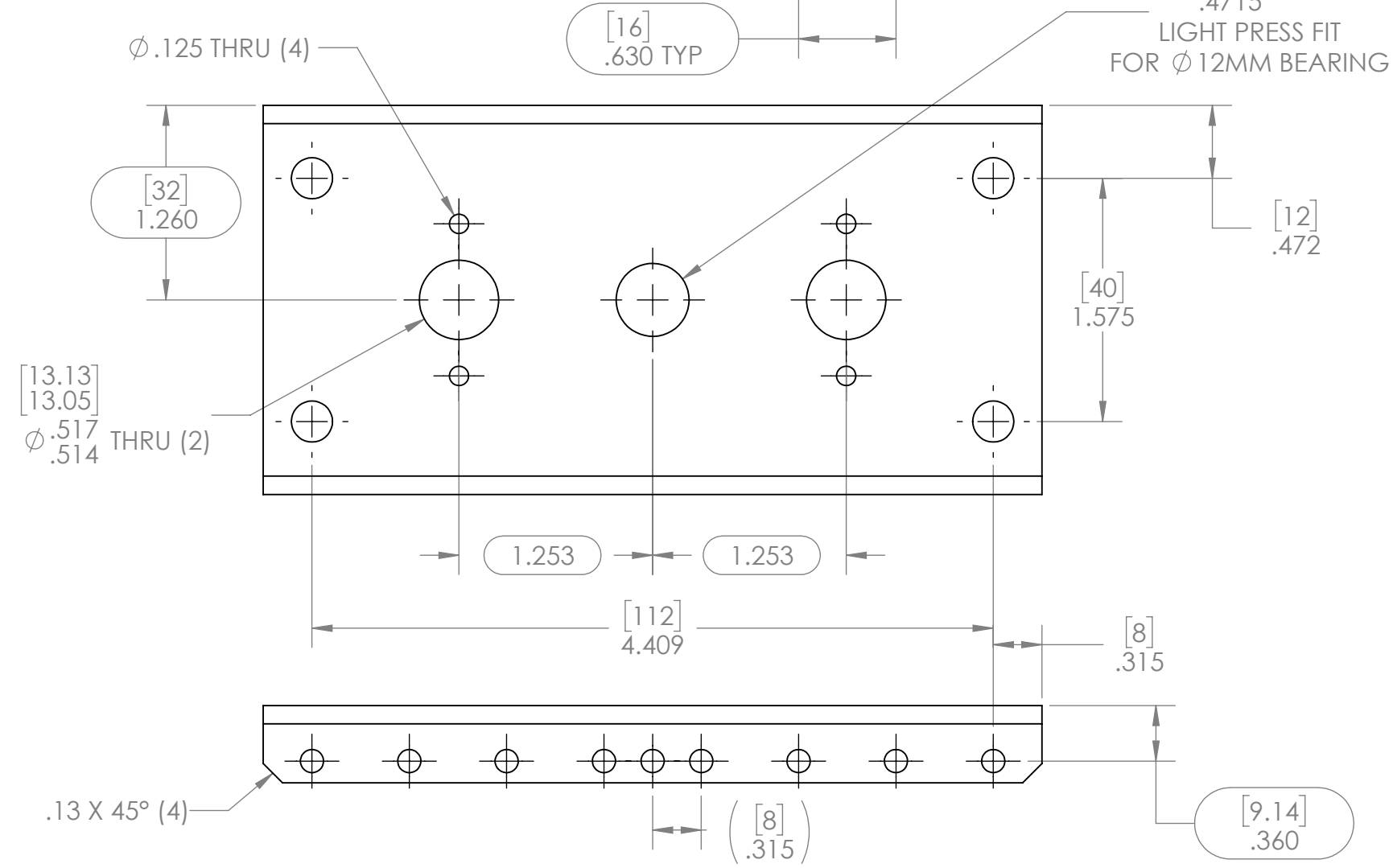
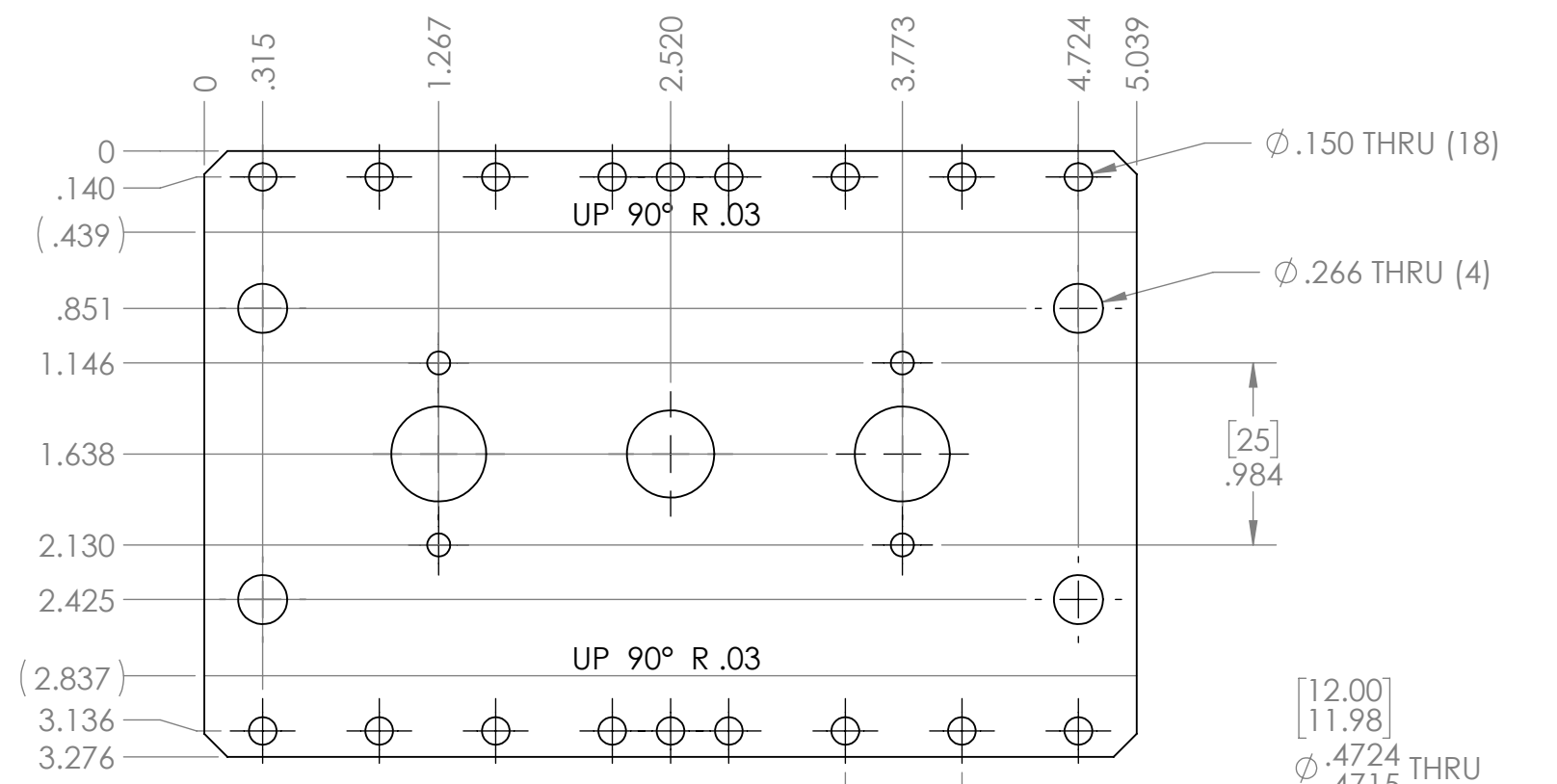


REVISION HISTORY			
REV.	DESCRIPTION	DATE	DRAWN BY
1	ORIGINAL PRINT	7/28/2016	N. LAWRENCE
2	DRAWN TO MEET AMDS-1	5/17/2018	B. HODSON



\*\*\* SEE CAD FOR ADDITIONAL TOOLPATH INFO\*\*\*

UNLESS OTHERWISE SPECIFIED:		COMMENTS:			
<b>DIMENSIONS ARE IN INCHES</b>		DUAL DIMENSIONS ARE IN MILLIMETERS.			
TOLERANCES:		BREAK ALL SHARP EDGES.		TITLE:	
FRACTIONAL	±1/16			PICOBX TWIN	
ANGULAR: MACH	±1°			TURBO PLATE	
ANGULAR: BEND	±5°			SIZE	DWG. NO.
ONE PLACE DECIMAL	±0.1	CHECKED	NAME	<b>B</b>	am-3439
TWO PLACE DECIMAL	±0.01	ENG APPR.	NL	DATE	REV
THREE PLACE DECIMAL	±0.005	MFG APPR.		6/12/18	2
FOUR PLACE DECIMAL	±0.0005	Q.A.			
MATERIAL	5052 ALUMINUM			SCALE: 1:1	SHEET 1 OF 1
FINISH	DEBURRED				
DO NOT SCALE DRAWING					