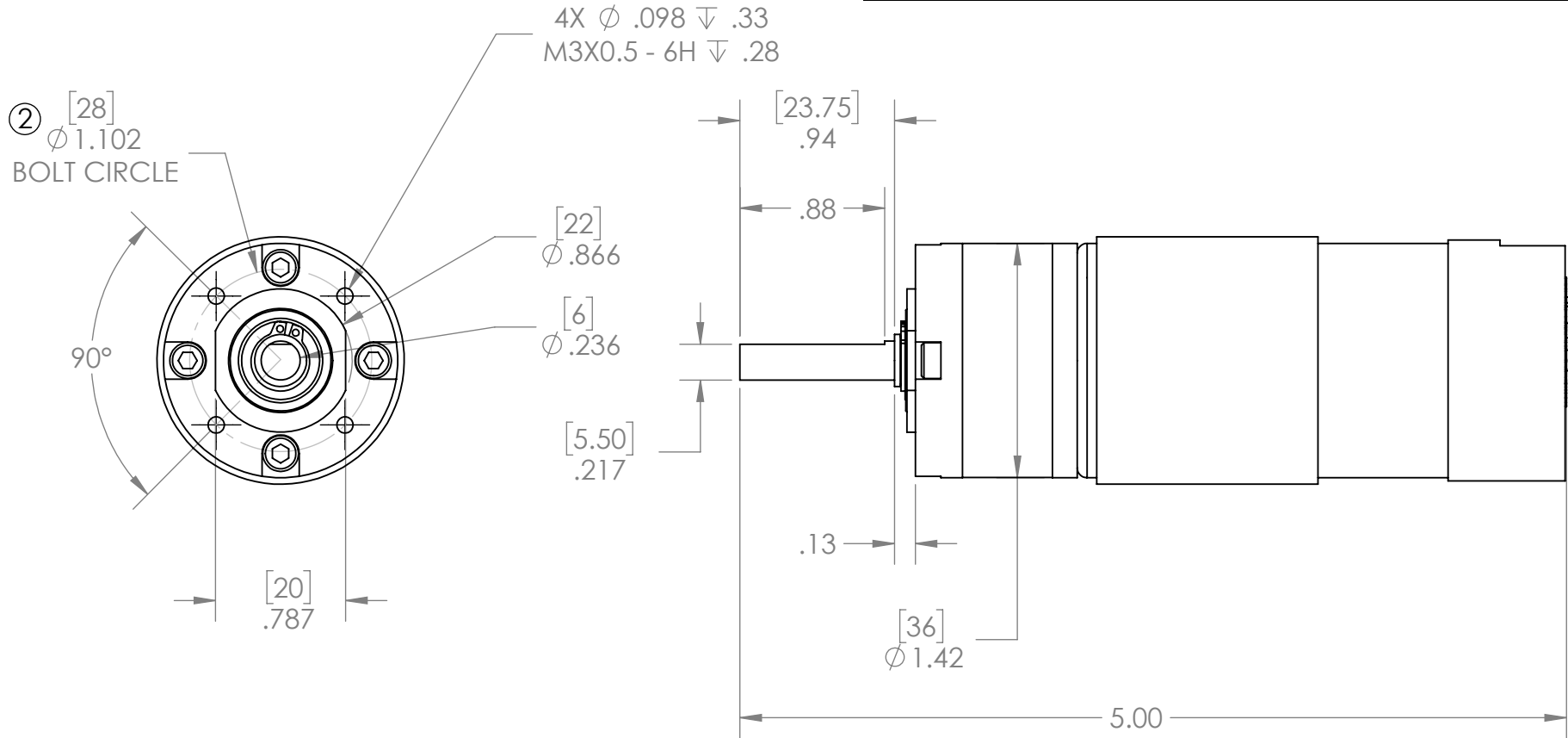
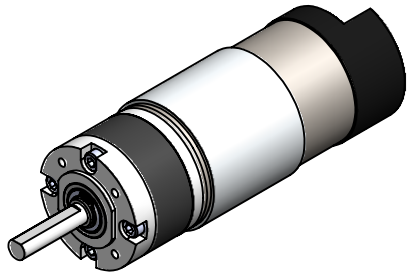



REVISION HISTORY			
REV.	DESCRIPTION	DATE	DRAWN BY
1	ORIGINAL PRINT	8/31/2016	N. LAWRENCE
2	CORRECTED BOLT CIRCLE DIAMETER TO 28MM	8/9/2017	N. LAWRENCE
3	DRAWN TO MEET AMDS-1	5/29/2018	B. HODSON



*** SEE CAD FOR ADDITIONAL TOOLPATH INFO***



UNLESS OTHERWISE SPECIFIED:		COMMENTS:			
DIMENSIONS ARE IN INCHES		DUAL DIMENSIONS ARE IN MILLIMETERS.			
TOLERANCES:		BREAK ALL SHARP EDGES		TITLE:	
FRACTIONAL	$\pm 1/16$			NEVEREST ORBITAL	
ANGULAR: MACH	$\pm 1^\circ$			3.7 GEARMOTOR	
ANGULAR: BEND	$\pm 5^\circ$			SIZE DWG. NO. REV	
ONE PLACE DECIMAL	± 0.1			A am-3461a 3	
TWO PLACE DECIMAL	± 0.01			SCALE: 1:1 WEIGHT: SHEET 1 OF 1	
THREE PLACE DECIMAL	± 0.005				
FOUR PLACE DECIMAL	± 0.0005				
MATERIAL		NAME	DATE		
FINISH		CHECKED	NL 6/12/18		
		ENG APPR.			
		MFG APPR.			
		Q.A.			
DO NOT SCALE DRAWING					